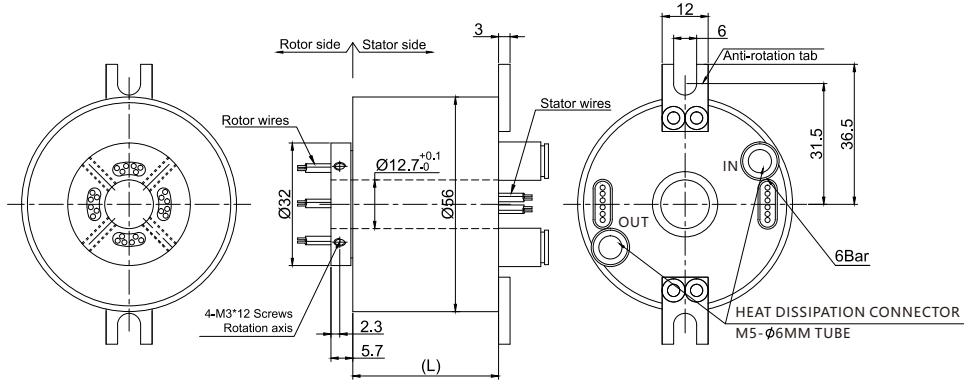
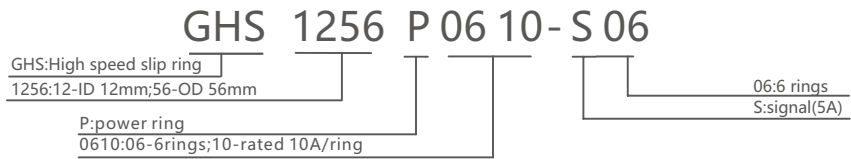


GHS1256 Series

GHS1256 series is a rotary electrical connector(rotary electrical joint) with bore size 12.7mm, OD 33mm, support 2~12 circuits.
 High speed slip ring with bore size 12.7mm(1/2",used for <=12.7mm),OD 33mm.*Attention: if required through bore <12.7mm, this can be solved by adding a sleeve inside the bore.



Part# Explanation



Part# List

GHS1256 Series Parts# List							
Part#	10A	Signal or 5A	Length-L (mm)	Part#	10A	Signal or 5A	Length-L (mm)
GHS1256-S06	0	6	48.2	GHS1256-P1410-S04	14	4	86.6
GHS1256-P0210-S04	2	4	48.2	GHS1256-P1610-S02	16	2	86.6
GHS1256-P0410-S02	4	2	48.2	GHS1256-P1810	18	0	86.6
GHS1256-P0610	6	0	48.2	GHS1256-S24	0	24	105.8
GHS1256-S12	0	12	67.4	GHS1256-P0410-S20	4	20	105.8
GHS1256-P0210-S10	2	10	67.4	GHS1256-P0610-S18	6	18	105.8
GHS1256-P0410-S09	3	9	67.4	GHS1256-P1210-S12	12	12	105.8
GHS1256-P0610-S06	6	6	67.4	GHS1256-P1810-S06	18	6	105.8
GHS1256-P0810-S04	8	4	67.4	GHS1256-S30	0	30	130
GHS1256-P1010-S02	10	2	67.4	GHS1256-P0210-S28	2	28	130
GHS1256-P1210	12	0	67.4	GHS1256-P0410-S26	4	26	130
GHS1256-S18	0	18	86.6	GHS1256-P0610-S24	6	24	130
GHS1256-P0210-S16	2	16	86.6	GHS1256-S36	0	36	149.2
GHS1256-P0410-S14	4	14	86.6	GHS1256-P0410-S32	4	32	149.2
GHS1256-P0610-S12	6	12	86.6	GHS1256-P0610-S30	6	30	149.2
GHS1256-P0810-S10	8	10	86.6	GHS1256-S42	0	42	168.4
GHS1256-P1010-S08	10	8	86.6	GHS1256-P0410-S38	4	38	168.4
GHS1256-P1210-S06	12	6	86.6	GHS1256-S48	0	48	187.6

Note: N channels 10A rings parallel can be used as 1 channel N*10A current. For example: 2 rings 10A parallel could be used as 1 wires 20A. 10A,5A (signal) can combine freely in any way.It can be customized based on standard slip ring,please contact customer service for more detmalls.

Specifications

Mechanical Data		Electrical Data		
Parameter	Value	Parameter	Value	
Working Life	300 million revs		Power	Signal
Rotating Speed	1~12000RPM	Rated Voltage	0~440VAC/VDC	0~440VAC/VDC
Working Temperature	-30°C~80°C	Insulation Resistance	≥1000MΩ/500VDC	≥1000MΩ/500VDC
Operating Humidity	0~85% RH	Lead Wires	AWG17#Teflon	AWG22#Teflon
Contact Material	See Prod Quality Level	Lead LenGSH	Standard 300mm	
Housing Material	Aluminium Alloy	Insulation StrenGSH	500VAC@50Hz, 60s	
Torque	0.1N.m; +0.03/6ring	Electrical Noise	<0.01Ω	
Protection Grade	IP51			

Lead Wires Color Code

Ring	1	2	3	4	5	6	7	8	9	10	11	12
Color	BLK	RED	YEL	GRN	BLU	WHT	BLK	RED	YEL	GRN	BLU	WHT

(6 wires for 1 group color, from 7-12, repeat the same color as 1...6, indicated with number code pipe)

Options For Custom Slip Ring

Note: Below special demands can be customized. According, the delivery date will be extended 3 to 15 days; also the cost will be increased 30% to 50%. Most of our basic parts are standard and modular, which can save the cost and lead time.

- ① Cable exit way and cable lenGSH can be customized for both rotor and stator.
- ② Because of the structure limitation, lenGSH/height/OD can be customized on your request.
- ③ Support current or signal up to 200 rings.
- ④ Aviation plug, terminal and heat-shrink tube are optional.
- ⑤ Hybrid slip ring for Yaskawa/Panasonic/Siemens servo control signal, power line and encoder line.
- ⑥ Support mixed high speed data transmission (including Ethernet, USB, RS232, RS485, Profibus, CanBUS, CANOPEN, DeviceNET, CC-LINK, ProfiNET, EtherCAT, etc.)
- ⑦ Can combine temperature control signal with thermocouple signal.
- ⑧ Special environment can be customized, such as quakeproof, high temperature, etc.
- ⑨ Hybrid Pneumatic/hydraulic and electric slip ring can be mixed.
- ⑩ High temperature can up to 500 degrees.
- ⑪ High pressure can up to 110KV
- ⑫ Rotating speed can up to 10000RPM
- ⑬ Maximum current can up to 5000 amperes.
- ⑭ Military grade
- ⑮ Optional for underwater IP65, IP68.
- ⑯ Optional for stainless steel housing

Technical support: technical@moflon.com