

GHS Series Slip Rings

GHS series is a high-speed slip ring specially developed for high-speed rotating equipment. The speed can up to 12000RPM. The air cooling can ensure the heat generated by the slip ring during high-speed operation does not affect the stability and the working life of the signal.



Features

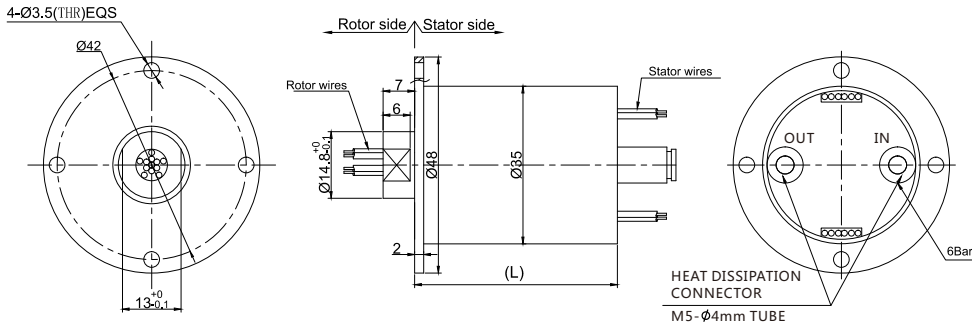
- Support 1~96 power lines or signal lines.
- Precious metal contacts, precision bearings, no lubrication required.
- Ultra low torque, low loss, high stability, long life.

GHS Series Models

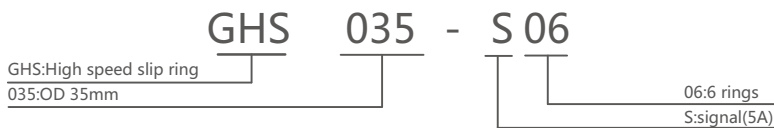
Model#	ID(mm)	OD(mm)	Circuits(Rings)
GHS035	–	35	12000RPM
GHS1256	12.7	56	12000RPM
GHS2586	25.4	86	9000RPM
GHS38109	38.1	109	8000RPM
GHS50119	50	119	8000RPM

GHS035 Series

GHS035 series is a high speed slip ring with OD 35mm, support 24 circuits, max speed 12000RPM.



Part# Explanation



Part# List

GHS035 Series Parts# List		
Part#	Signal/5A	Length-L (mm)
GHS035-S06	6	31.2
GHS035-S12	12	45
GHS035-S18	18	58.8
GHS035-S24	24	72.6

Specifications

Mechanical Data		Electrical Data		
Parameter	Value	Parameter	Value	
Working Life	300 million revs	Rated Voltage	Power	Signal
Rotating Speed	1~12000RPM	Insulation Resistance	0~240VAC/VDC	0~240VAC/VDC
Working Temperature	-30°C~80°C	Lead Wires	≥500MΩ/500VDC	≥500MΩ/500VDC
Operating Humidity	0~85% RH	Lead LenGHS	AWG22Teflon	AWG22#Teflon
Contact Material	See Prod Quality Level	Insulation StrenGHS	Standard 300mm	
Housing Material	Aluminium Alloy	Electrical Noise	500VAC@50Hz, 60s	
Torque	0.1N.m; +0.03/6ring		<0.03Ω	
Protection Grade	IP51			

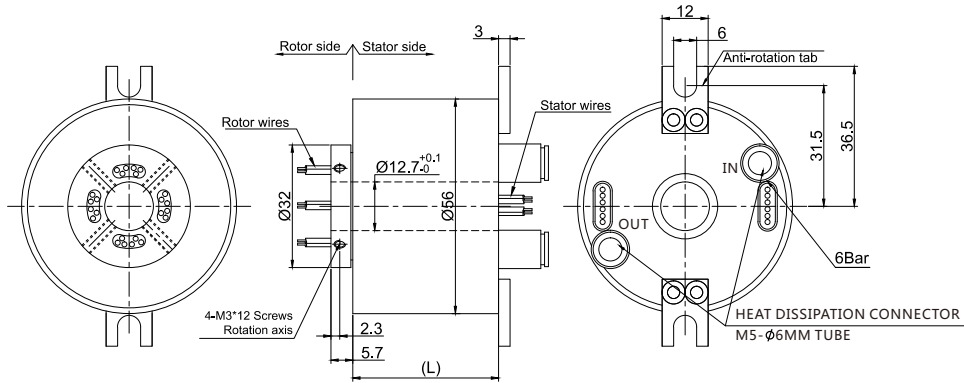
Lead Wires Color Code

Ring	1	2	3	4	5	6	7	8	9	10	11	12
Color	BLK	RED	YEL	GRN	BLU	WHT	BLK	RED	YEL	GRN	BLU	WHT

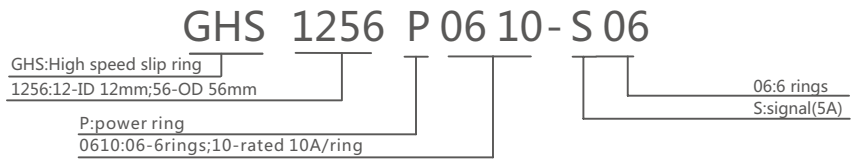
(6 wires for 1 group colors, from 7-12, repeat the same color as 1...6, indicated with number code pipe)

GHS1256 Series

GHS1256 series is a rotary electrical connector(rotary electrical joint) with bore size 12.7mm, OD 33mm, support 2~12 circuits.
 High speed slip ring with bore size 12.7mm(1/2" ,used for <=12.7mm),OD 33mm.*Attention : if required through bore <12.7mm , this can be resolved by adding a sleeve inside the bore.



Part# Explanation



Part# List

GHS1256 Series Parts# List							
Part#	10A	Signal or 5A	Length-L (mm)	Part#	10A	Signal or 5A	Length-L (mm)
GHS1256-S06	0	6	48.2	GHS1256-P1410-S04	14	4	86.6
GHS1256-P0210-S04	2	4	48.2	GHS1256-P1610-S02	16	2	86.6
GHS1256-P0410-S02	4	2	48.2	GHS1256-P1810	18	0	86.6
GHS1256-P0610	6	0	48.2	GHS1256-S24	0	24	105.8
GHS1256-S12	0	12	67.4	GHS1256-P0410-S20	4	20	105.8
GHS1256-P0210-S10	2	10	67.4	GHS1256-P0610-S18	6	18	105.8
GHS1256-P0410-S09	3	9	67.4	GHS1256-P1210-S12	12	12	105.8
GHS1256-P0610-S06	6	6	67.4	GHS1256-P1810-S06	18	6	105.8
GHS1256-P0810-S04	8	4	67.4	GHS1256-S30	0	30	130
GHS1256-P1010-S02	10	2	67.4	GHS1256-P0210-S28	2	28	130
GHS1256-P1210	12	0	67.4	GHS1256-P0410-S26	4	26	130
GHS1256-S18	0	18	86.6	GHS1256-P0610-S24	6	24	130
GHS1256-P0210-S16	2	16	86.6	GHS1256-S36	0	36	149.2
GHS1256-P0410-S14	4	14	86.6	GHS1256-P0410-S32	4	32	149.2
GHS1256-P0610-S12	6	12	86.6	GHS1256-P0610-S30	6	30	149.2
GHS1256-P0810-S10	8	10	86.6	GHS1256-S42	0	42	168.4
GHS1256-P1010-S08	10	8	86.6	GHS1256-P0410-S38	4	38	168.4
GHS1256-P1210-S06	12	6	86.6	GHS1256-S48	0	48	187.6

Note: N channels 10A rings parallel can be used as 1 channel N*10A current. For example: 2 rings 10A parallel could be used as 1 wires 20A. 10A,5A (signal) can combine freely in any way.It can be customized based on standard slip ring,please contact customer service for more detmails.

Specifications

Mechanical Data		Electrical Data		
Parameter	Value	Parameter	Value	
Working Life	300 million revs		Power	Signal
Rotating Speed	1~12000RPM	Rated Voltage	0~440VAC/VDC	0~440VAC/VDC
Working Temperature	-30°C~80°C	Insulation Resistance	≥1000MΩ/500VDC	≥1000MΩ/500VDC
Operating Humidity	0~85% RH	Lead Wires	AWG17#Teflon	AWG22#Teflon
Contact Material	See Prod Quality Level	Lead LenGSH	Standard 300mm	
Housing Material	Aluminium Alloy	Insulation StrenGSH	500VAC@50Hz , 60s	
Torque	0.1N.m;+0.03/6ring	Electrical Noise	<0.03Ω	
Protection Grade	IP51			

Lead Wires Color Code

Ring	1	2	3	4	5	6	7	8	9	10	11	12
Color	BLK	RED	YEL	GRN	BLU	WHT	BLK	RED	YEL	GRN	BLU	WHT

(6 wires for 1 group color, from 7-12, repeat the same color as 1...6, indicated with number code pipe)

Options For Custom Slip Ring

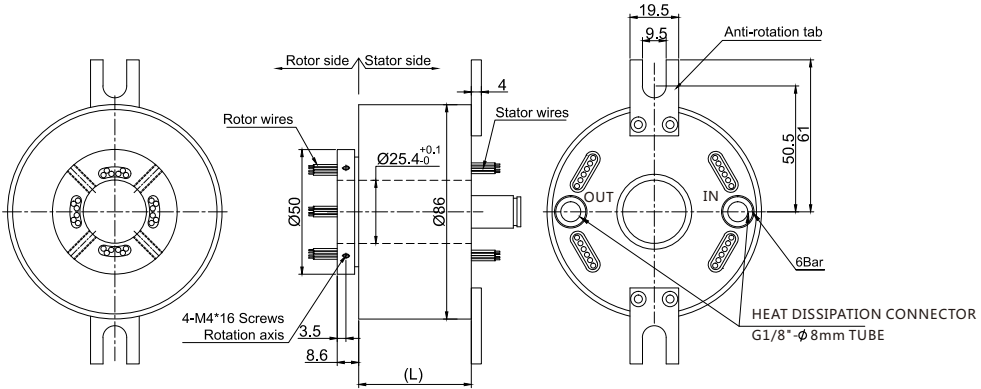
Note: Below special demands can be customized. According, the delivery date will be extended 3 to 15 days; also the cost will be increased 30% to 50%. Most of our basic parts are standard and modular, which can save the cost and lead time.

- ① Cable exit way and cable lenGSH can be customized for both rotor and stator.
- ② Because of the structure limitation, lenGSH/height/OD can be customized on your request.
- ③ Support current or signal up to 200 rings.
- ④ Aviation plug, terminal and heat-shrink tube are optional.
- ⑤ Hybrid slip ring for Yaskawa/Panasonic/Siemens servo control signal, power line and encoder line.
- ⑥ Support mixed high speed data transmission (including Ethernet, USB, RS232, RS485, Profibus, CanBUS, CANOPEN, DeviceNET, CC-LINK, ProfiNET, EtherCAT, etc.)
- ⑦ Can combine temperature control signal with thermocouple signal.
- ⑧ Special environment can be customized, such as quakeproof, high temperature, etc.
- ⑨ Hybrid Pneumatic/hydraulic and electric slip ring can be mixed.
- ⑩ High temperature can up to 500 degrees.
- ⑪ High pressure can up to 110KV
- ⑫ Rotating speed can up to 10000RPM
- ⑬ Maximum current can up to 5000 amperes.
- ⑭ Military grade
- ⑮ Optional for underwater IP65, IP68.
- ⑯ Optional for stainless steel housing

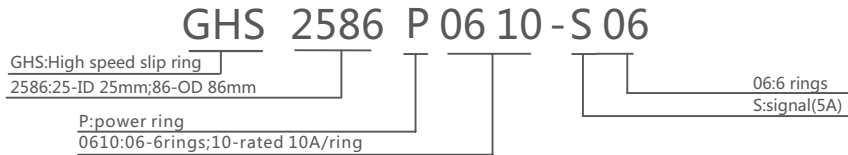
Technical support: technical@moflon.com

GHS2586 Series

GHS2586 series is a high speed slip ring with bore size 12.7mm, OD 33mm, support 2~12 circuits.



Part# Explanation



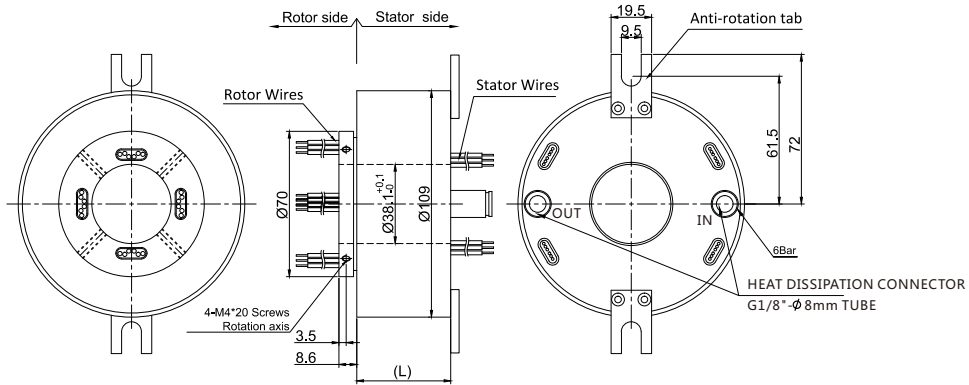
Part# List

GHS2586 Series Parts# List							
Part#	10A	Signal or 5A	Length-L (mm)	Part#	10A	Signal or 5A	Length-L (mm)
GHS2586-S06	0	06	55.6	GHS2586-S30	0	30	151.8
GHS2586-P0210-S04	02	04	55.6	GHS2586-P0610-S24	06	24	151.8
GHS2586-P0410-S02	04	02	55.6	GHS2586-P1210-S18	12	18	151.8
GHS2586-P0610	06	0	55.6	GHS2586-P1810-S12	18	12	151.8
GHS2586-S12	0	12	78.4	GHS2586-P2410-S06	24	06	151.8
GHS2586-P0210-S10	02	10	78.4	GHS2586-P3010	30	0	151.8
GHS2586-P0410-S08	04	08	78.4	GHS2586-S36	0	36	174.6
GHS2586-P0610-S06	06	06	78.4	GHS2586-P0610-S30	06	30	174.6
GHS2586-P0810-S04	08	04	78.4	GHS2586-P1210-S24	12	24	174.6
GHS2586-P1010-S02	10	02	78.4	GHS2586-S1810-S18	18	18	174.6
GHS2586-P1210	12	0	78.4	GHS2586-P2410-S12	24	12	174.6
GHS2586-S18	0	18	101.2	GHS2586-P3610	36	0	174.6
GHS2586-P0210-S16	02	16	101.2	GHS2586-S48	0	48	220.2
GHS2586-P0410-S14	04	14	101.2	GHS2586-P10610-S42	06	42	220.2
GHS2586-P0610-S12	06	12	101.2	GHS2586-P1210-S36	12	36	220.2
GHS2586-P0810-S10	08	10	101.2	GHS2586-P1810-S30	18	30	220.2
GHS2586-P1010-S08	10	08	101.2	GHS2586-P2410-S24	24	24	220.2
GHS2586-P1210-S06	12	06	101.2	GHS2586-S60	0	60	270.8
GHS2586-P1410-S04	14	04	101.2	GHS2586-P0610-S54	06	54	270.8
GHS2586-P1610-S02	16	02	101.2	GHS2586-P1210-S48	12	48	270.8
GHS2586--S24	0	24	124	GHS2586-P1810-S42	18	42	270.8
GHS2586-P1610-S18	06	18	124	GHS2586-P2410-S36	24	36	270.8
GHS2586-P1210-S12	12	12	124	GHS2586-S72	0	72	316.4
GHS2586-P0810-S06	18	06	124	GHS2586-S84	0	84	365
GHS2586-P2410	24	0	124	GHS2586-S96	0	96	410.6

Note: N channels 10A rings parallel can be used as 1 channel N*10A current. For example: 2 rings 10A parallel could be used as 1 wires 20A. 10A,5A (signal) can combine freely in any way.It can be customized based on standard slip ring,please contact customer service for more detmails.

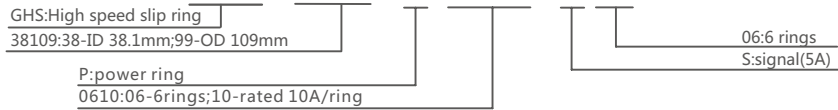
GHS38109 Series

GHS38109 series is a rotary electrical connector(rotary electrical joint) with bore size 38.1mm, OD 109mm, support 2~72 circuits. High speed slip ring with bore size 38.1mm(1/2" ,used for <=38.1mm),OD 109mm.*Attention : if required through bore <38.1mm , this can be solved by adding a sleeve inside the bore.



Part# Explanation

GHS 38109 P 06 10- S 06



Part# List

GHS3899 Series Parts# List							
Part#	10A	Signal or 5A	Length-L (mm)	Part#	10A	Signal or 5A	Length-L (mm)
GHS38109-S06	0	06	58.6	GHS38109-P1810-S12	18	12	154.8
GHS38109-P0210-S04	02	04	58.6	GHS38109-P2410-S06	24	06	154.8
GHS38109-P0410-S02	04	02	58.6	GHS38109-P3010	30	0	154.8
GHS38109-P0610	06	0	58.6	GHS38109-S36	0	36	177.6
GHS38109-S12	0	12	81.4	GHS38109-P0610-S30	06	30	177.6
GHS38109-P0210-S10	02	10	81.4	GHS38109-P1210-S24	12	24	177.6
GHS38109-P0410-S08	04	08	81.4	GHS38109-P1810-S18	18	18	177.6
GHS38109-P0610-S06	06	06	81.4	GHS38109-P2410-S12	24	12	177.6
GHS38109-P0810-S04	08	04	81.4	GHS38109-P3610	36	0	177.6
GHS38109-P1010-S02	10	02	81.4	GHS38109-S48	0	48	223.2
GHS38109-P1210	12	0	81.4	GHS38109-P0610-S42	06	42	223.2
GHS38109-S18	0	18	104.2	GHS38109-P1210-S36	12	36	223.2
GHS38109-P0210-S16	02	16	104.2	GHS38109-P1810-S30	18	30	223.2
GHS38109-P0410-S14	04	14	104.2	GHS38109-P2410-S24	24	24	223.2
GHS38109-P0610-S12	06	12	104.2	GHS38109-S60	0	60	273.8
GHS38109-P0810-S10	08	10	104.2	GHS38109-P0610-S54	06	54	273.8
GHS38109-P1010-S08	10	08	104.2	GHS38109-P1210-S48	12	48	273.8
GHS38109-P1210-S06	12	06	104.2	GHS38109-P1810-S42	18	42	273.8
GHS38109-P1410-S04	14	04	104.2	GHS38109-P2410-S36	24	36	273.8
GHS38109-P1610-S02	16	02	104.2	GHS38109-S72	0	72	319.4
GHS38109-S24	0	24	127	GHS38109-P0610-S66	06	66	319.4
GHS38109-P1610-S18	06	18	127	GHS38109-P1210-S60	12	60	319.4
GHS38109-P1210-S12	12	12	127	GHS38109-P2410-S48	24	48	319.4
GHS38109-P0810-S06	18	06	127	GHS38109-P3610-S36	36	36	319.4
GHS38109-P2410	24	0	127	GHS38109-S84	0	84	368
GHS38109-S30	0	30	154.8	GHS38109-P1210-S72	12	72	368

Note: N channels 10A rings parallel can be used as 1 channel N*10A current. For example: 2 rings 10A parallel could be used as 1 wires 20A. 10A,5A (signal) can combine freely in any way.It can be customized based on standard slip ring,please contact customer service for more detmalls.

Specifications

Mechanical Data		Electrical Data		
Parameter	Value	Parameter	Value	
Working Life	300 million revs		Power	Signal
Rotating Speed	1~8000RPM	Rated Voltage	0~690VAC/VDC	0~440VAC/VDC
Working Temperature	-30°C~80°C	Insulation Resistance	≥1000MΩ/1000VDC	≥1000MΩ/500VDC
Operating Humidity	0~85% RH	Lead Wires	AWG16#Teflon	AWG22#Teflon
Contact Material	See Prod Quality Level	Lead LenGSH	Standard 300mm	
Housing Material	Aluminium Alloy	Insulation StrenGSH	500VAC@50Hz , 60s	
Torque	0.1N.m;+0.03/6ring	Electrical Noise	<0.03Ω	
Protection Grade	IP51			

Lead Wires Color Code

Ring	1	2	3	4	5	6	7	8	9	10	11	12
Color	BLK	RED	YEL	GRN	BLU	WHT	BLK	RED	YEL	GRN	BLU	WHT

(6 wires for 1 group color, from 7-12, repeat the same color as 1...6, indicated with number code pipe)

Options For Custom Slip Ring

Note: Below special demands can be customized. According, the delivery date will be extended 3 to 15 days; also the cost will be increased 30% to 50%. Most of our basic parts are standard and modular, which can save the cost and lead time.

- ① Cable exit way and cable lenGSH can be customized for both rotor and stator.
- ② Because of the structure limitation, lenGSH/height/OD can be customized on your request.
- ③ Support current or signal up to 200 rings.
- ④ Aviation plug, terminal and heat-shrink tube are optional.
- ⑤ Hybrid slip ring for Yaskawa/Panasonic/Siemens servo control signal, power line and encoder line.
- ⑥ Support mixed high speed data transmission (including Ethernet, USB, RS232, RS485, Profibus, CanBUS, CANOPEN, DeviceNET, CC-LINK, ProfiNET, EtherCAT, etc.)
- ⑦ Can combine temperature control signal with thermocouple signal.
- ⑧ Special environment can be customized, such as quakeproof, high temperature, etc.
- ⑨ Hybrid Pneumatic/hydraulic and electric slip ring can be mixed.
- ⑩ High temperature can up to 500 degrees.
- ⑪ High pressure can up to 110KV
- ⑫ Rotating speed can up to 10000RPM
- ⑬ Maximum current can up to 5000 amperes.
- ⑭ Military grade
- ⑮ Optional for underwater IP65, IP68.
- ⑯ Optional for stainless steel housing

Technical support: technical@moflon.com

Specifications

Mechanical Data		Electrical Data		
Parameter	Value	Parameter	Value	
Working Life	300 million revs		Power	Signal
Rotating Speed	1~9000RPM	Rated Voltage	0~440VAC/VDC	0~440VAC/VDC
Working Temperature	-30°C~80°C	Insulation Resistance	≥1000MΩ/500VDC	≥1000MΩ/500VDC
Operating Humidity	0~85% RH	Lead Wires	AWG16#Teflon	AWG22#Teflon
Contact Material	See Prod Quality Level	Lead LenGSH	Standard 300mm	
Housing Material	Aluminium Alloy	Insulation StrenGSH	500VAC@50Hz , 60s	
Torque	0.1N.m;+0.03/6ring	Electrical Noise	<0.03Ω	
Protection Grade	IP51			

Lead Wires Color Code

Ring	1	2	3	4	5	6	7	8	9	10	11	12
Color	BLK	RED	YEL	GRN	BLU	WHT	BLK	RED	YEL	GRN	BLU	WHT

(6 wires for 1 group color, from 7-12, repeat the same color as 1...6, indicated with number code pipe)

Options For Custom Slip Ring

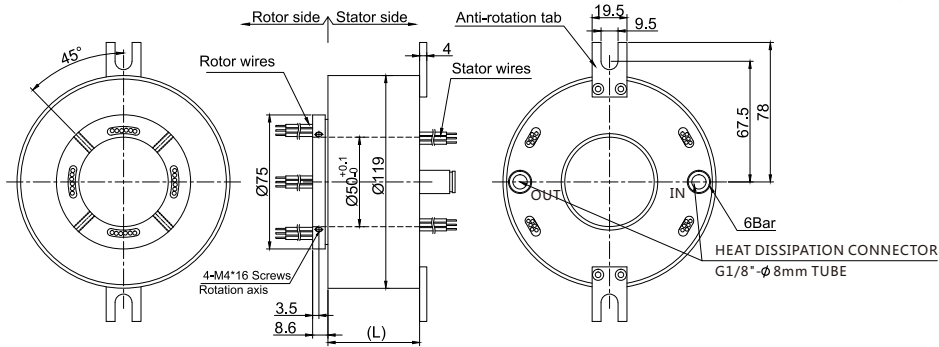
Note: Below special demands can be customized. According, the delivery date will be extended 3 to 15 days; also the cost will be increased 30% to 50%. Most of our basic parts are standard and modular, which can save the cost and lead time.

- ① Cable exit way and cable lenGSH can be customized for both rotor and stator.
- ② Because of the structure limitation, lenGSH/height/OD can be customized on your request.
- ③ Support current or signal up to 200 rings.
- ④ Aviation plug, terminal and heat-shrink tube are optional.
- ⑤ Hybrid slip ring for Yaskawa/Panasonic/Siemens servo control signal, power line and encoder line.
- ⑥ Support mixed high speed data transmission (including Ethernet, USB, RS232, RS485, Profibus, CanBUS, CANOPEN, DeviceNET, CC-LINK, ProfiNET, EtherCAT, etc.)
- ⑦ Can combine temperature control signal with thermocouple signal.
- ⑧ Special environment can be customized, such as quakeproof, high temperature, etc.
- ⑨ Hybrid Pneumatic/hydraulic and electric slip ring can be mixed.
- ⑩ High temperature can up to 500 degrees.
- ⑪ High pressure can up to 110KV
- ⑫ Rotating speed can up to 10000RPM
- ⑬ Maximum current can up to 5000 amperes.
- ⑭ Military grade
- ⑮ Optional for underwater IP65, IP68.
- ⑯ Optional for stainless steel housing

Technical support: technical@moflon.com

GHS50119 Series

GHS50119 series is a rotary electrical connector(rotary electrical joint) with bore size 12.7mm, OD 33mm, support 2~12 circuits.
 High speed slip ring with bore size 12.7mm(1/2" ,used for <=12.7mm),OD 33mm.*Attention : if required through bore <12.7mm , this can be resolved by adding a sleeve inside the bore.



Part# Explanation

GHS 50119 P 06 10-S 06



Part# List

GHS50119 Series Parts# List							
Part#	10A	Signal or 5A	Length-L (mm)	Part#	10A	Signal or 5A	Length-L (mm)
GHS50119-S06	0	06	58.6	GHS50119-P1810-S12	18	12	154.8
GHS50119-P0210-S04	02	04	58.6	GHS50119-P2410-S06	24	06	154.8
GHS50119-P0410-S02	04	02	58.6	GHS50119-P3010	30	0	154.8
GHS50119-P0610	06	0	58.6	GHS50119-S36	0	36	177.6
GHS50119-S12	0	12	81.4	GHS50119-P0610-S30	06	30	177.6
GHS50119-P0210-S10	02	10	81.4	GHS50119-P1210-S24	12	24	177.6
GHS50119-P0410-S08	04	08	81.4	GHS50119-P1810-S18	18	18	177.6
GHS50119-P0610-S06	06	06	81.4	GHS50119-P2410-S12	24	12	177.6
GHS50119-P0810-S04	08	04	81.4	GHS50119-P3610	36	0	177.6
GHS50119-P1010-S02	10	02	81.4	GHS50119-S48	0	48	223.2
GHS50119-P1210	12	0	81.4	GHS50119-P0610-S42	06	42	223.2
GHS50119-S18	0	18	104.2	GHS50119-P1210-S36	12	36	223.2
GHS50119-P0210-S16	02	16	104.2	GHS50119-P1810-S30	18	30	223.2
GHS50119-P0410-S14	04	14	104.2	GHS50119-P2410-S24	24	24	223.2
GHS50119-P0610-S12	06	12	104.2	GHS50119-S60	0	60	273.8
GHS50119-P0810-S10	08	10	104.2	GHS50119-P0610-S54	06	54	273.8
GHS50119-P1010-S08	10	08	104.2	GHS50119-P1210-S48	12	48	273.8
GHS50119-P1210-S06	12	06	104.2	GHS50119-P1810-S42	18	42	273.8
GHS50119-P1410-S04	14	04	104.2	GHS50119-P2410-S36	24	36	273.8
GHS50119-P1610-S02	16	02	104.2	GHS50119-S72	0	72	319.4
GHS50119-S24	0	24	127	GHS50119-P0610-S66	06	66	319.4
GHS50119-P1610-S18	06	18	127	GHS50119-P1210-S60	12	60	319.4
GHS50119-P1210-S12	12	12	127	GHS50119-P2410-S48	24	48	319.4
GHS50119-P0810-S06	18	06	127	GHS50119-P3610-S36	36	36	319.4
GHS50119-P2410	24	0	127	GHS50119-S84	0	84	368
GHS50119-S30	0	30	154.8	GHS50119-P1210-S72	12	72	368

Note: N channels 10A rings parallel can be used as 1 channel N*10A current. For example: 2 rings 10A parallel could be used as 1 wires 20A. 10A,5A (signal) can combine freely in any way.It can be customized based on standard slip ring,please contact customer service for more detmails.

Specifications

Mechanical Data		Electrical Data		
Parameter	Value	Parameter	Value	
Working Life	300 million revs		Power	Signal
Rotating Speed	1~8000RPM	Rated Voltage	0~690VAC/VDC	0~440VAC/VDC
Working Temperature	-30°C~80°C	Insulation Resistance	≥1000MΩ/1000VDC	≥1000MΩ/500VDC
Operating Humidity	0~85% RH	Lead Wires	AWG16#Teflon	AWG22#Teflon
Contact Material	See Prod Quality Level	Lead LenGSH	Standard 300mm	
Housing Material	Aluminium Alloy	Insulation StrenGSH	500VAC@50Hz , 60s	
Torque	0.1N.m;+0.03/6ring	Electrical Noise	<0.03Ω	
Protection Grade	IP51			

Lead Wires Color Code

Ring	1	2	3	4	5	6	7	8	9	10	11	12
Color	BLK	RED	YEL	GRN	BLU	WHT	BLK	RED	YEL	GRN	BLU	WHT

(6 wires for 1 group color, from 7-12, repeat the same color as 1...6, indicated with number code pipe)

Options For Custom Slip Ring

Note: Below special demands can be customized. According, the delivery date will be extended 3 to 15 days; also the cost will be increased 30% to 50%. Most of our basic parts are standard and modular, which can save the cost and lead time.

- ① Cable exit way and cable lenGSH can be customized for both rotor and stator.
- ② Because of the structure limitation, lenGSH/height/OD can be customized on your request.
- ③ Support current or signal up to 200 rings.
- ④ Aviation plug, terminal and heat-shrink tube are optional.
- ⑤ Hybrid slip ring for Yaskawa/Panasonic/Siemens servo control signal, power line and encoder line.
- ⑥ Support mixed high speed data transmission (including Ethernet, USB, RS232, RS485, Profibus, CanBUS, CANOPEN, DeviceNET, CC-LINK, ProfiNET, EtherCAT, etc.)
- ⑦ Can combine temperature control signal with thermocouple signal.
- ⑧ Special environment can be customized, such as quakeproof, high temperature, etc.
- ⑨ Hybrid Pneumatic/hydraulic and electric slip ring can be mixed.
- ⑩ High temperature can up to 500 degrees.
- ⑪ High pressure can up to 110KV
- ⑫ Rotating speed can up to 10000RPM
- ⑬ Maximum current can up to 5000 amperes.
- ⑭ Military grade
- ⑮ Optional for underwater IP65, IP68.
- ⑯ Optional for stainless steel housing

Technical support: technical@moflon.com