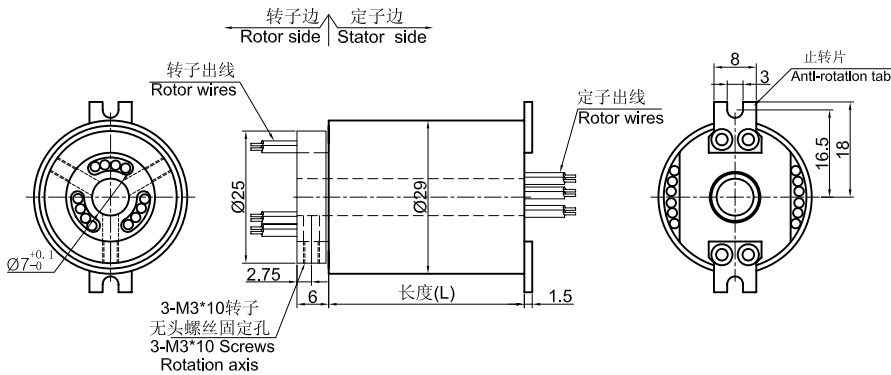


GT 0729 Series

GT 0729 series is a high speed slip ring with OD 29mm, support 12 circuits, max speed 1800RPM.



Part# Explanation

GT 0729 - P06 - S 06

GT: High speed slip ring
0729: OD 7~29mm

06: 6 rings
S: signal(5A)

Part# List

GT 0729 Series Parts# List			
Part#	10A	Signal/5A	Length-L (mm)
GT0729-S02	0	2	30
GT0729-P0210	2	0	30
GT0729-S03	0	3	30
GT0729-P0310	3	0	30
GT0729-S04	0	4	30
GT0729-P0410	4	0	30
GT0729-S06	0	6	30
GT0729-P0210-S04	2	4	30
GT0729-P0410-S02	4	2	30
GT0729-P0610	6	0	43.8
GT0729-S12	0	12	43.8
GT0729-P0210-S09	2	10	43.8
GT0729-P0310-S09	3	9	43.8
GT0729-P0410-S06	4	8	43.8
GT0729-P0610-S03	6	6	43.8
GT0729-P0810-S06	8	4	57.6
GT0729-P1010-S03	10	2	57.6
GT0729-P1210	12	0	57.6

Note: N channels 10A rings parallel can be used as 1 channel N*10A current. For example: 2 rings 10A parallel could be used as 1 wires 20A.

10A,5A (signal) can combine freely in any way.It can be customized based on standard slip ring,please contact customer service for more detmails.

Specifications

Electrical Data		
Parameter	Value	
	Power	Signal
Rated Voltage	0~240VAC/VDC	0~240VAC/VDC
Insulation Resistance	≥200MΩ/300VDC	≥200MΩ/300VDC
Lead Wires	AWG17Teflon	AWG22Teflon
Lead Length	Standard 300mm	
Dielectric Strength	200VAC@50Hz, 60s	
Electrical Noise	<0.03Ω	
Mechanical Data		
Parameter	Value	
Working Life	10 Million revs	
Rotating Speed	1~3000RPM	
Working Temperature	-30°C~80°C	
Operating Humidity	0~85% RH	
Contact Material	Gold-plated	
Housing Material	plastics	
Torque	0.05N.m; +0.02N.m/6rings	
Protection Grade	IP51	

Lead Wires Color Code

Ring	1	2	3	4	5	6	7	8	9	10	11	12
Code	BLK	RED	YLW	GRN	BLU	WHT	BLK	RED	YLW	GRN	BLU	WHT

Note:6 wires for 1 group color, from 7-12, repeat the same color as 1...6, indicated with number code pipe.