

MC Series Compact Capsule Slip Rings



Features

- MC series slip rings are small and compact with OD 22mm, with capsule style.
- Special designed for CCTV or small rotating system, OD 22mm and special fit for middle/small rotating system of transmitting low controlling signal.
- Standard, off-the-shelf, no through bore
- Circuits combination is available (such as video, control, sensor, power, Ethernet and so on)
- Lower torque low contact wear rates
Support video, control, sensor, power, Ethernet signals

MC Series Models

Model#	Length (mm)	OD (mm)	Circuits (rings)	Current	Voltage (VDC/VAC)
MC190	19	22	1~6	Signal(2A)	220
MC260	26	22	1~12	Signal(2A)	220
MC330	33	22	1~18	Signal(2A)	220
MC400	43.6	22	1~24	Signal(2A)	220
MC573	57.3	22	1~36	Signal(2A)	220
MC857	85.7	25	1~56	Signal(2A)	220

60% of MOFLON's sales are customized solutions, please contact customer service for special requirements.

MC190 Capsule Slip Rings



MC190 slip rings are small and compact with OD 22mm * L 19mm, with capsule style, standard, off-the-shelf. Color-coded lead wires are used on both the stator and rotor for simplified electrical connections. Using a 90° V-groove ring design for each ring. MC1909 is the high-end version corresponding to MC190, it has higher performance and longer working life, higher speed rotating speed, low noise.

Part# Explanation

MC 190(9)-FL01

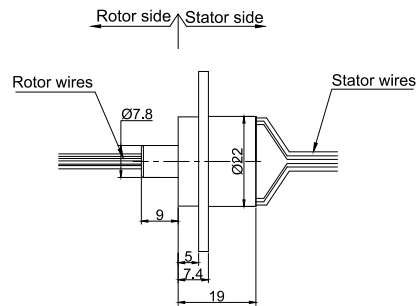
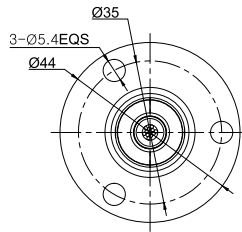
MC : capsule slip ring

190 : common quality version
1909 : high-end quality version

FL01: flange type

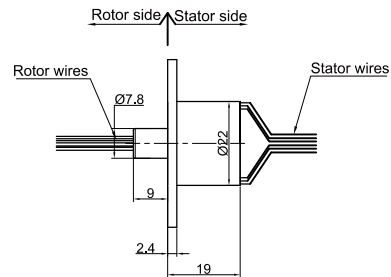
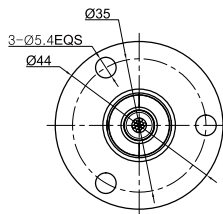
Standard Model

MC190

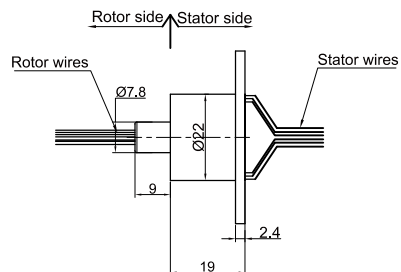
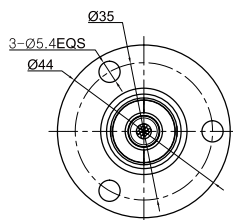


Optional Flange Model

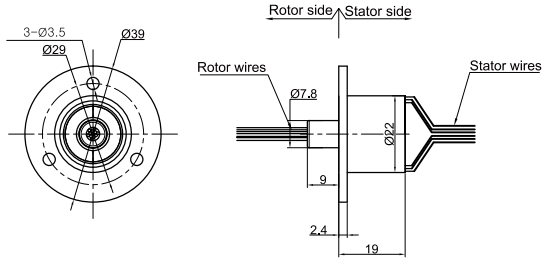
MC190-FL01



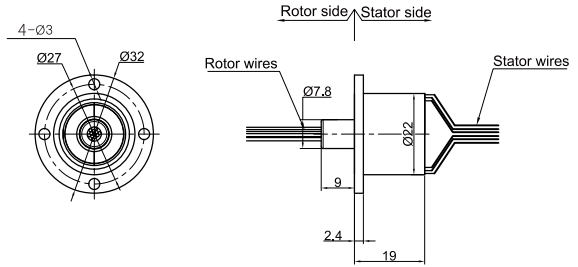
MC190-FL02



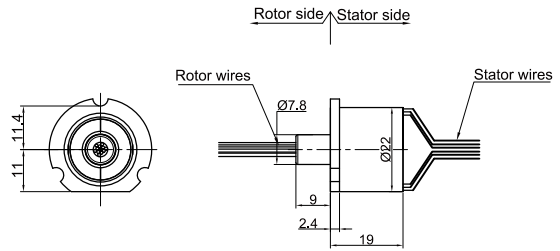
MC190-FL03



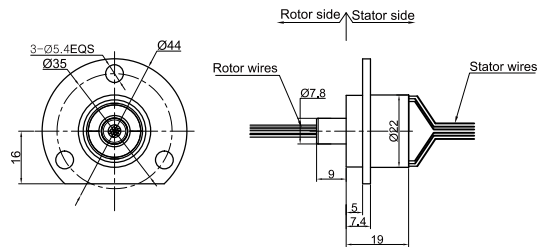
MC190-FL04



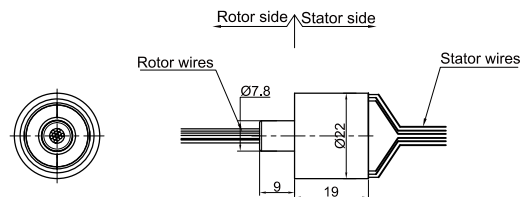
MC190-FL05



MC190-FL06



MC190-FL07



Part# List

MC190 Series Parts# List					
Part#	Signal/2A	4A	8A	15A	Total Wires
MC190	6	0	0	0	6
MC190-P0204-S02	2	2	0	0	4
MC190-P0304	0	3	0	0	3
MC190-P0108-S02	2	0	1	0	3

Note: N channels 2A rings parallel can be used as 1 channel $N \times 2A$ current. For example: 2 rings 2A parallel could be used as 1 wires 4A ,please contact sales for special requirements

Specification

Electrical Data		
Parameter	Value	
	Power	Signal
Rated Voltage	0~220VAC/VDC	0~120VAC/VDC
Insulation Resistance	$\geq 100M\Omega/220VDC$	$\geq 100M\Omega/150VDC$
Lead Wires	AWG#28 teflon	AWG#28 teflon
Lead Length	Standard 300mm(adjustable)	
Insulation Strength	500VAC@50Hz , 60s	
Electrical Noise	$< 0.01\Omega$	
Mechanical Data		
Parameter	Value	
Working Life	See Product Quality Level Table	
Rotating Speed	See Product Quality Level Table	
Working temperature	-30°C~80°C	
Operating Humidity	0~85% RH	
Contact Material	See Product Quality Level Table	
Housing Materia	See Product Quality Level Table	
Torque	0.05N.m ; +0.01N.m/6rings	
Protection grade	IP51	

Product Quality Level Table

Part#	Max Speed	Working Life	Tourque	Housing Material	Electrical Noise①@10RPM
MC190	250RPM	> 5 million	0.02 N·m	Plastics	10mΩ
MC1909	1000RPM	>20 million	0.005 N·m	Metal	4mΩ

Lead Wires Color Code

Ring	1	2	3	4	5	6
Color	BLK	RED	YEL	GRN	BLU	WHT

Options for custom slip ring

- MC1909 is the high-end version corresponding to MC190.
- Optional flange mounting.
- Specified connectors and Heat-shrink tube.
- Longer lead lengths available.
- High temperature is optional.
- Military Grade.

MC260 Capsule Slip Rings



MC260 slip rings are small and compact with OD 22mm * L 26mm, with capsule style, standard, off-the-shelf. Color-coded lead wires are used on both the stator and rotor for simplified electrical connections. Using a 90° V-groove ring design for each ring. MC2609 is the high-end version corresponding to MC260, It has higher performance and longer working life, higher speed rotating speed, low noise.

Part# Explanation

MC 260(9)-FL01

MC : capsule slip ring

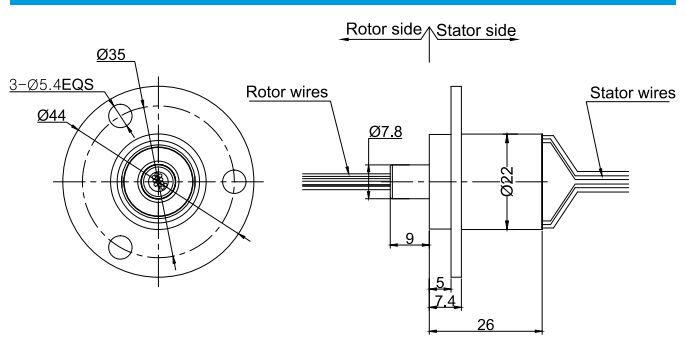
260 : common quality version

2609 : high-end quality version

FL01: flange type

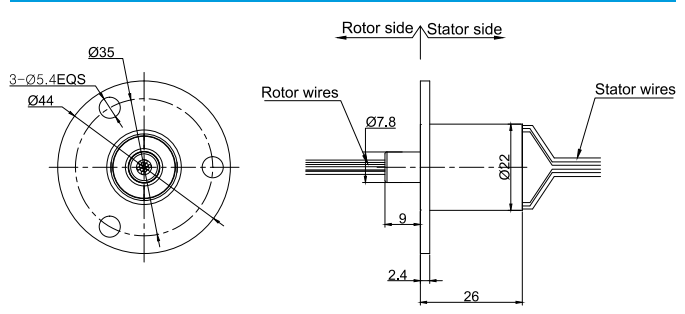
Standard Model

MC260

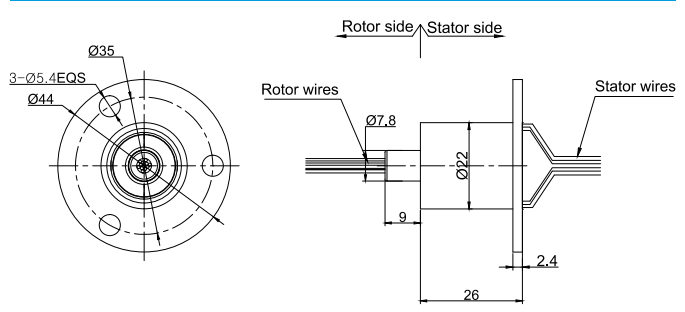
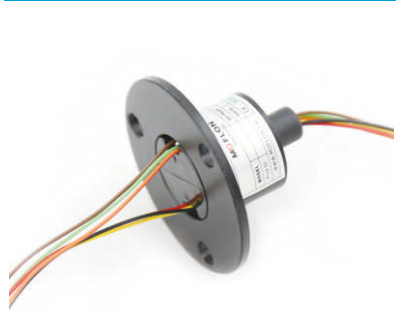


Optional Flange Model

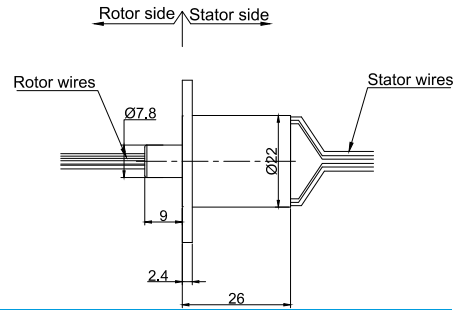
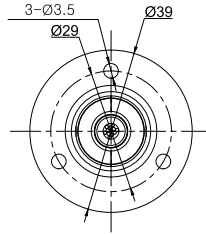
MC260-FL01



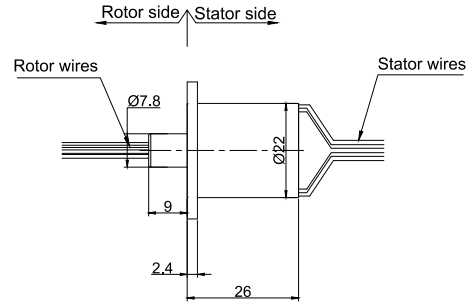
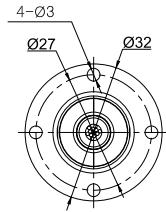
MC260-FL02



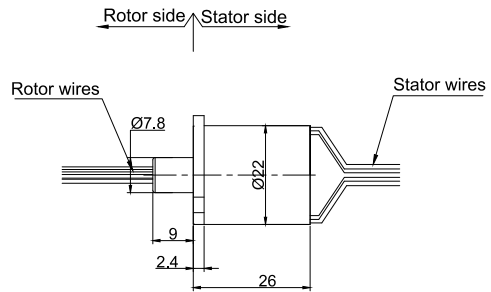
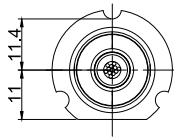
MC260-FL03



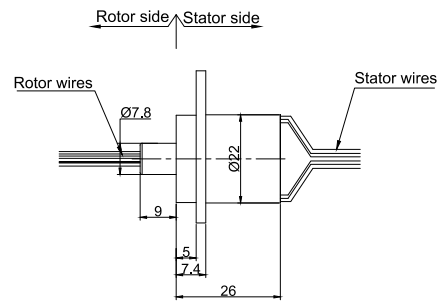
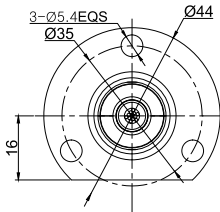
MC260-FL04



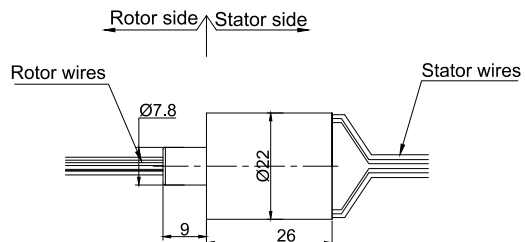
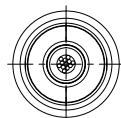
MC260-FL05



MC260-FL06



MC260-FL07



Part# List

MC260 Series Parts# List					
Part#	Signal/2A	4A	8A	15A	Total Wires
MC260	12	0	0	0	12
MC260-P0304-S06	6	3	0	0	9
MC260-P0208-S02	2	0	2	0	4
MC260-P0308	0	0	3	0	3

Note: N channels 2A rings parallel can be used as 1 channel $N \times 2A$ current. For example: 2 rings 2A parallel could be used as 1 wires 4A ,please contact sales for special requirements

Specification

Electrical Data		
Parameter	Value	
	Power	Signal
Rated Voltage	0~220VAC/VDC	0~220VAC/VDC
Insulation Resistance	$\geq 100M\Omega/220VDC$	$\geq 100M\Omega/220VDC$
Lead Wires	AWG#28 teflon	AWG#28 teflon
Lead Length	Standard 300mm(adjustable)	
Insulation Strength	500VAC@50Hz , 60s	
Electrical Noise	$< 0.01\Omega$	
Mechanical Data		
Parameter	Value	
Working Life	See Product Quality Level Table	
Rotating Speed	See Product Quality Level Table	
Working temperature	-30°C~80°C	
Operating Humidity	0~85% RH	
Contact Material	See Product Quality Level Table	
Housing Material	See Product Quality Level Table	
Torque	0.05N.m ; +0.01N.m/6rings	
Protection grade	IP51	

Product Quality Level Table

Part#	Max Speed	Working Life	Torque	Housing Material	Electrical Noise①@10RPM
MC260	250RPM	>5 million	0.02 N·m	Plastics	10mΩ
MC2609	1000RPM	>20 million	0.005 N·m	Metal	4mΩ

Lead Wires Color Code

Ring	1	2	3	4	5	6	7	8	9	10	11	12
Color	RED	GRN	YEL	VLT	GRY	BLK	BLU	DB	BRN	ORG	WHT	KHA

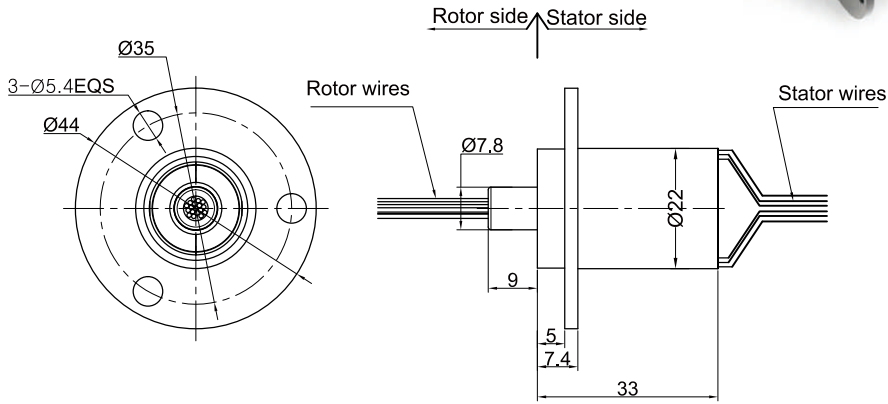
Options for custom slip ring

- MC2609 is the high-end version corresponding to MC260.
- Optional flange mounting.
- Specified connectors and Heat-shrink tube.
- Longer lead lengths available.
- High temperature is optional.
- Military Grade.

MC330 Capsule Slip Rings

MC330 slip rings are small and compact with OD 22mm * L 33mm, with capsule style, standard, off-the-shelf. Color-coded lead wires are used on both the stator and rotor for simplified electrical connections. Using a 90° V-groove ring design for each ring.

MC3309 is the high-end version corresponding to MC330, It has higher performance and longer working life, higher speed rotating speed, low noise.



Part# Explanation

MC 330(9)-FL01

MC : capsule slip ring

330 : common quality version

3309 : high-end quality version

FL01: flange type

Part# List

MC330 Series Parts# List					
Part#	Signal/2A	4A	8A	15A	Total Wires
MC330	18	0	0	0	18
MC330-P0604-S06	6	6	0	0	12
MC330-P0308-S06	6	0	3	0	9
MC330-P0408-S02	2	0	4	0	6
MC330-P0215	0	0	0	2	2

Note: N channels 2A rings parallel can be used as 1 channel $N \times 2A$ current. For example: 2 rings 2A parallel could be used as 1 wires 4A ,please contact sales for special requirements

Specifications

Mechanical Data		Electrical Data		
Parameter	Value	Parameter	Value	
Working Life	See Product Quality Level Table	Power	Signal	
Rotating Speed	See Product Quality Level Table	Rated Voltage	0~220VAC/VDC	0~120VAC/VDC
Working Temperature	-30°C~80°C	Insulation Resistance	$\geq 100M\Omega/220VDC$	$\geq 100M\Omega/150VDC$
Operating Humidity	0~85% RH	Lead Wires	AWG28#Teflon	AWG28#Teflon
Contact Material	See Product Quality Level Table	Lead Length	Standard 300mm(adjustable)	
Housing Material	See Product Quality Level Table	Insulation Strength	500VAC@50Hz , 60s	
Torque	0.05N.m; +0.01N.m/6rings	Electrical Noise	<0.01Ω	
Protection Grade	IP51			

Product Quality Level Table

Part#	Max Speed	Working Life	Torque	Housing Material	Electrical Noise①@10RPM
MC330	250RPM	> 5 million	0.02 N·m	Plastics	10mΩ
MC3309	1000RPM	>20 million	0.005 N·m	Metal	4mΩ

Lead Wires Color Code

Ring	1	2	3	4	5	6	7	8	9	10	11	12
Color	RED	GRN	YEL	VLT	GRA	BLK	BLU	DB	BRN	ORA	WHT	KHA
Ring	13	14	15	16	17	18						
Color	WHT RED	WHT BLK	WHT BLU	WHT VLT	WHT BRN	WHT GRN						

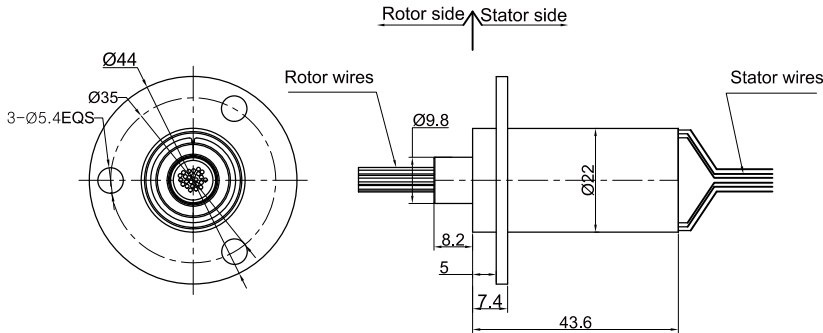
Options for custom slip ring

- MC3309 is the high-end version corresponding to MC330.
- Optional flange mounting.
- Specified connectors and Heat-shrink tube.
- Longer lead lengths available.
- High temperature is optional.
- Military Grade.

MC400 Capsule Slip Rings

MC400 slip rings are small and compact with OD 22mm * L 43.6mm, with capsule style, standard, off-the-shelf. Color-coded lead wires are used on both the stator and rotor for simplified electrical connections. Using a 90° V-groove ring design for each ring.

MC4009 is the high-end version corresponding to MC400, It has higher performance and longer working life, higher speed rotating speed, low noise.



Part# Explanation

MC 400(9)-FL01

MC : capsule slip ring

400 : common quality version

4009 : high-end quality version

FL01: flange type

Part# List

MC400 Series Parts# List					
Part#	Signal/2A	4A	8A	15A	Total Wires
MC400	24	0	0	0	24
MC400-P0304-S18	18	3	0	0	21
MC400-P0604-S12	12	6	0	0	18
MC400-P0804-S08	8	8	0	0	16
MC400-P0308-S08	8	0	3	2	13
MC400-P0408-S04	4	0	4	0	8
MC400-P0508	0	0	5	0	5
MC400-P0215-S06	6	0	0	2	8
MC400-P0315	0	0	0	3	3

Note: N channels 2A rings parallel can be used as 1 channel N × 2A current. For example: 2 rings 2A parallel could be used as 1 wires 4A ,please contact sales for special requirements

Specifications

Mechanical Data		Electrical Data		
Parameter	Value	Parameter	Value	
Working Life	See Product Quality Level Table		Power	Signal
Rotating Speed	See Product Quality Level Table	Rated Voltage	0~220VAC/VDC	0~120VAC/VDC
Working Temperature	-30°C~80°C	Insulation Resistance	≥100MΩ/220VDC	≥100MΩ/150VDC
Operating Humidity	0~85% RH	Lead Wires	AWG28#Teflon	AWG28#Teflon
Contact Material	See Product Quality Level Table	Lead Length	Standard 300mm(adjustable)	
Housing Material	See Product Quality Level Table	Insulation Strength	500VAC@50Hz , 60s	
Torque	0.05N.m; +0.01N.m/6rings	Electrical Noise	<0.01Ω	
Protection Grade	IP51			

Product Quality Level Table

Part#	Max Speed	Working Life	Torque	Housing Material	Electrical Noise①@10RPM
Mc400	250RPM	> 5 million	0.02 N·m	Plastics	10mΩ
MC4009	1000RPM	>20 million	0.005 N·m	Metal	4mΩ

Lead Wires Color Code

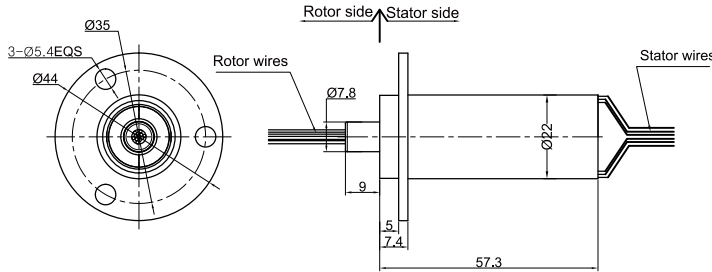
Ring	1	2	3	4	5	6	7	8	9	10	11	12
Color	RED	GRN	YEL	VLT	GRA	BLK	BLU	DB	BRN	ORA	WHT	KHA
Ring	13	14	15	16	17	18	19	20	21	22	23	24
Color	WHT RED	WHT BLK	WHT BLU	WHTVLT	WHT BRN	WHT GRN	WHT ORN	WHT YEL	WHT GRA	BLK RED	BLK BLU	YEL GRN

Options for custom slip ring

- MC4009 is the high-end version corresponding to MC400.
- Optional flange mounting.
- Specified connectors and Heat-shrink tube.
- Longer lead lengths available.
- High temperature is optional.
- Military Grade.

MC573 Capsule Slip Rings

MC573 slip rings are small and compact with OD 22mm * L 57.3mm, with capsule style, standard, off-the-shelf. Color-coded lead wires are used on both the stator and rotor for simplified electrical connections. Using a 90° V-groove ring design for each ring. MC5739 is the high-end version corresponding to MC573, It has higher performance and longer working life, higher speed rotating speed, low noise.



Part# Explanation

MC 573(9)-FL01

MC : capsule slip ring

573 : common quality version
5739 : high-end quality version

FL01: flange type

Part# List

MC573 Series Parts# List					
Part#	Signal/2A	4A	8A	15A	Total Wires
MC573	36	0	0	0	36

Note: N channels 2A rings parallel can be used as 1 channel N × 2A current. For example: 2 rings 2A parallel could be used as 1 wires 4A ,please contact sales for special requirements

Specifications

Mechanical Data		Electrical Data		
Parameter	Value	Parameter	Value	
Working Life	See Product Quality Level Table	Power	Signal	
Rotating Speed	See Product Quality Level Table	Rated Voltage	0~220VAC/VDC	0~120VAC/VDC
Working Temperature	-30°C~80°C	Insulation Resistance	≥100MΩ/220VDC	≥100MΩ/150VDC
Operating Humidity	0~85% RH	Lead Wires	AWG28#Teflon	AWG28#Teflon
Contact Material	See Product Quality Level Table	Lead Length	Standard 300mm(adjustable)	
Housing Material	See Product Quality Level Table	Insulation Strength	500VAC@50Hz , 60s	
Torque	0.05N.m; +0.01N.m/6rings	Electrical Noise	<0.01Ω	
Protection Grade	IP51			

Product Quality Level Table

Part#	Max Speed	Working Life	Tourque	Housing Material	Electrical noise@10RPM
MC573	250RPM	>5 million	0.02 N-m	Plastics	10mΩ
MC5739	1000RPM	>20 million	0.005 N-m	Metal	4mΩ

Lead Wires Color Code

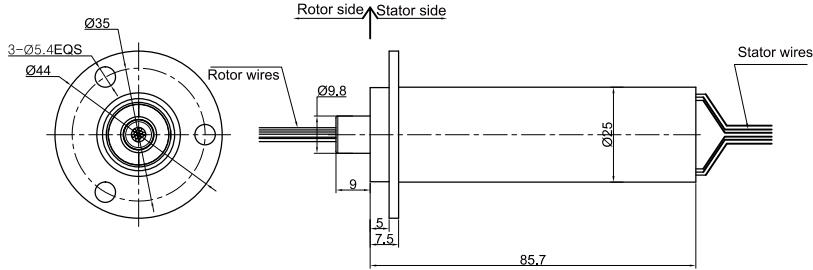
Ring	1/2	3/4	5/6	7/8	9/10	11/12	13/14	15/16	17/18	19/20	21/22	23/24
Color	RED	GRN	YEL	VL T	GRA	BLK	BLU	DB	BRN	ORN	WHT	KHA
Ring	25/26	27/28	29/30	31/32	33/34	35/36						
Color	WHT RED	WHT BLK	WHT BLU	WHT VL T	WHT GRA	WHT GRN						

Options for custom slip ring

- MC5739 is the high-end version corresponding to MC573.
- Optional flange mounting.
- Specified connectors and Heat-shrink tube.
- Longer lead lengths available.
- High temperature is optional.
- Military Grade.

MC857 Capsule Slip Rings

MC857 slip rings are small and compact with OD 25mm * L 85.7mm, with capsule style, standard, off-the-shelf. Color-coded lead wires are used on both the stator and rotor for simplified electrical connections. Using a 90° V-groove ring design for each ring. MC8579 is the high-end version corresponding to MC857, It has higher performance and longer working life, higher speed rotating speed, low noise.



Part# Explanation

MC 857(9)

MC : capsule slip ring
 857 : common quality version
 8579 : high-end quality version

Part# List

MC857 Series Parts# List					
Part#	Signal/2A	4A	8A	15A	Total Wires
MC857	56	0	0	0	56

Note: N channels 2A rings parallel can be used as 1 channel N × 2A current. For example: 2 rings 2A parallel could be used as 1 wires 4A ,please contact sales for special requirements

Specifications

Mechanical Data		Electrical Data		
Parameter	Value	Parameter	Value	
Working Life	See Product Quality Level Table	Power	Signal	
Rotating Speed	See Product Quality Level Table	Rated Voltage	0~220VAC/VDC	0~120VAC/VDC
Working Temperature	-30°C~80°C	Insulation Resistance	≥100MΩ/220VDC	≥100MΩ/150VDC
Operating Humidity	0~85% RH	Lead Wires	AWG28#Teflon	AWG28#Teflon
Contact Material	See Product Quality Level Table	Lead Length	Standard 300mm(adjustable)	
Housing Material	See Product Quality Level Table	Insulation Strength	500VAC@50Hz , 60s	
Torque	0.05N.m; +0.01N.m/6rings	Electrical Noise	<0.01Ω	
Protection Grade	IP51			

Product Quality Level Table

Part#	Max Speed	Working Life	Torque	Housing Material	Electrical Noise@10RPM
MC857	250RPM	>4 million	0.02 N-m	Plastics	10mΩ
MC8579	1000RPM	>15 million	0.005 N-m	Metal	4mΩ

Lead Wires Color Code

Ring	1/4	5/8	9/12	13/16	17/20	21/24	25/28	29/32	33/36	37/40	41/44	45/48
Color	RED	GRN	YEL	VLT	GRA	BLK	BLU	DB	BRN	ORN	WHT	KHA
Ring	49/52	53/56										
Color	WHT RED	WHT BLK										

Options for custom slip ring

- MC8579 is the high-end version corresponding to MC857.
- Optional flange mounting.
- Specified connectors and Heat-shrink tube.

- Longer lead lengths available.
- High temperature is optional.
- Military Grade.