

# MHPS Ultra High Pressure Stainless Steel Rotary Joint

## Main features

The MHPS rotary joints are available for 1, 3, 4, 6, 8, 12 and 16 models and can withstand pressures up to 20,000 PSI [1,375 BAR].

All MHPS series models feature corrosion-resistant, all-stainless steel construction for harsh marine and marine environmental conditions and corrosive media transport.

Medium pressure housing connections and O-ring shaft connections are standard on the MHPS Series models and are suitable for common applications including umbilical reel systems and other high-voltage equipment. If required, Mobil can be modified to meet the specific requirements of each application, including changes to the MHPS Series mounting configurations, connections, sealing systems, and housing or shaft dimensions.

## List

MHPS High Pressure Stainless Steel Rotary Couplings			
Model	Passages	Port size	Pressure
MHPS13	1 passages	G3/8"	0-100MPa
MHPS16	1 passages	G3/4"	0-100MPa
MHPS33	3 passages	G3/8"	0-100MPa
MHPS43	4 passages	G3/8"	0-100MPa
MHPS63	6 passages	G3/8"	0-100MPa
MHPS83	8 passages	G3/8"	0-100MPa
MHPS123	12 passages	G3/8"	0-100MPa
MHPS163	16 passages	G3/8"	0-100MPa

## Customization options

Note: The following special requirements can be customized, the delivery time will increase by 3 to 15 days, the cost increases by 5% to 50%, most of the company's basic accessories are standardized, modular, non-standard customization can greatly reduce costs And delivery period.

1. Connector size
2. pressure
3. High and low speed
- 4 hollow bore size
5. Corrosive media, all stainless steel, explosion-proof, high temperature
6. can be combined with the electric slip ring

Technical Support E-mail: [technical@moflon.com](mailto:technical@moflon.com)

Model description

# MHPS 13 - VC

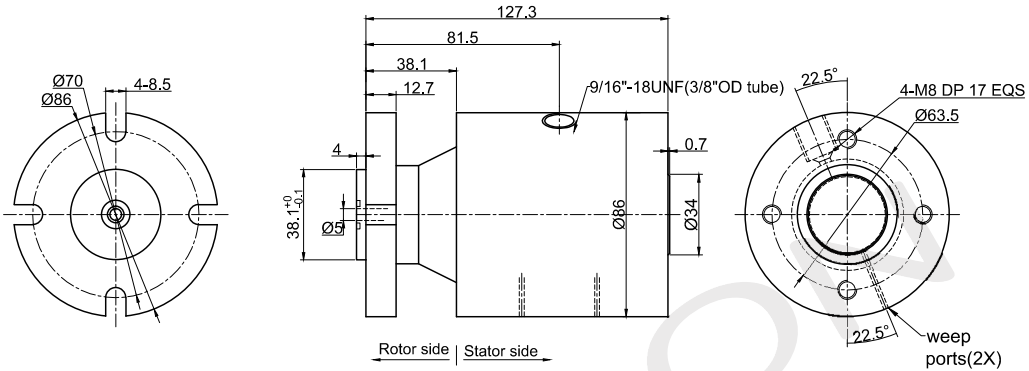
MHPS: Compact Multi-function Rotary Joint

1: 1 in 1 out

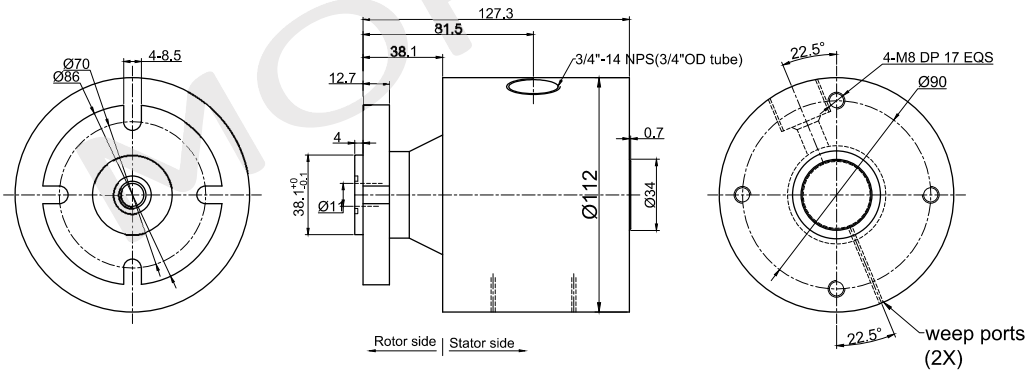
1: Port size, 1=G1/8", 2=G1/4", 3=G3/8"  
4=G1/2", 5=G5/8", 6=G3/4", 8=G1", 10=G(1+1/4")

Product grade code  
VC General Grade Product Grade  
VD industrial grade  
Default omitted = VC general product level

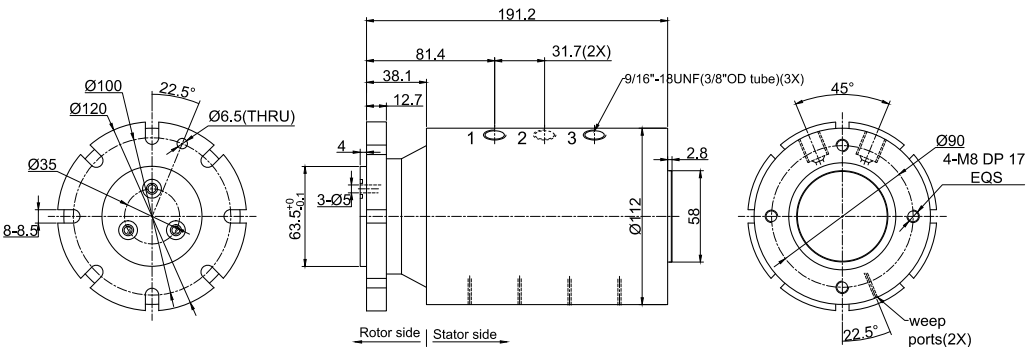
MHPS13 (high pressure stainless steel rotary joint) Dimensional drawing



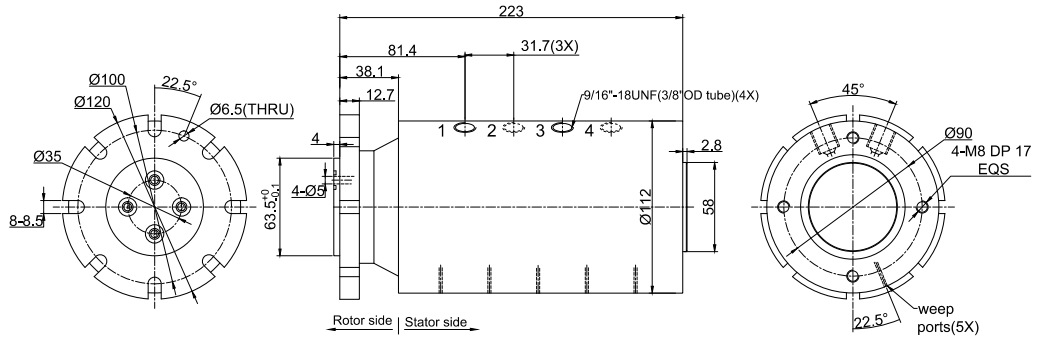
MHPS16 (high pressure stainless steel rotary joint) Dimensional drawing



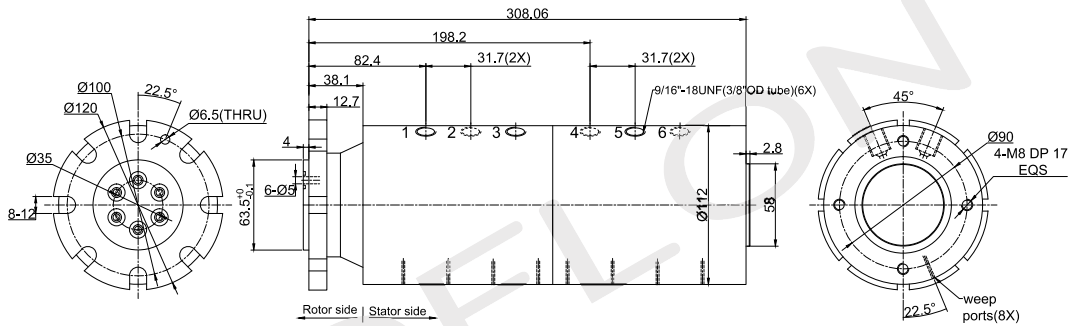
MHPS33 (high pressure stainless steel rotary joint) Dimensional drawing



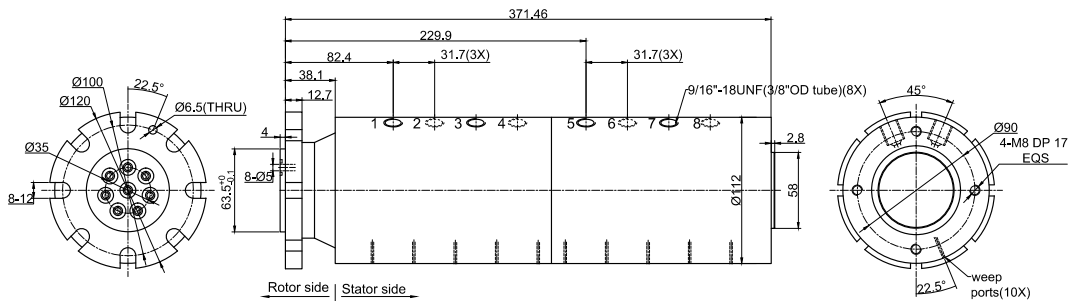
MHPS43 (high pressure stainless steel rotary joint) Dimensional drawing



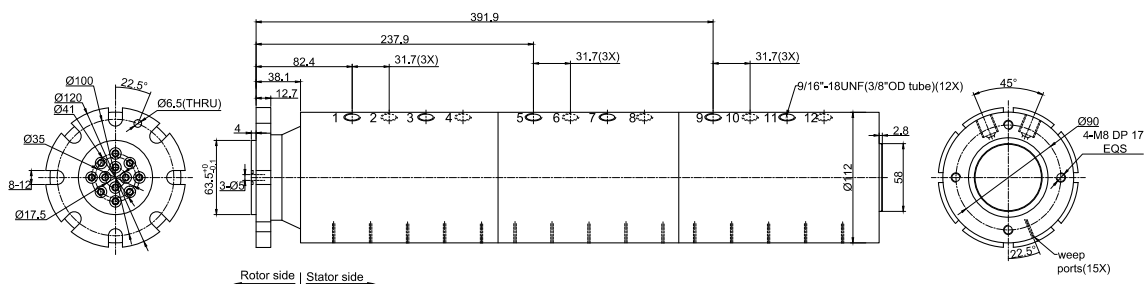
MHPS63 (high pressure stainless steel rotary joint) Dimensional drawing



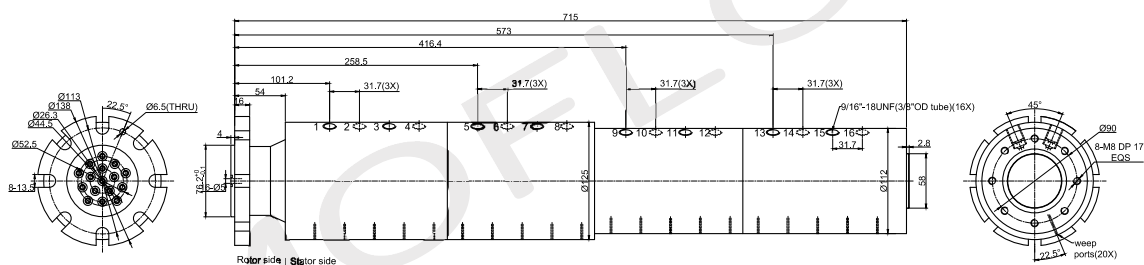
MHPS83 (high pressure stainless steel rotary joint) Dimensional drawing



MHPS123 (high pressure stainless steel rotary joint) Dimensional drawing



MHPS163 (high pressure stainless steel rotary joint) Dimensional drawing



## Technical specifications

Mechanical Specifications		Rotary joint part specification	
Parameters	Value	Parameters	Value
life span	Reference	Number of channels	1, 3, 4, 6, 8, 12, 16 channels
Rated speed	Reference	greatest pressure	100MPa (customizable high pressure), vacuum 30HG
Operating temperature	-30°C~80°C	Media can be	Air, vacuum, hydraulic oil, water, hot water, coolant, steam, etc.
Working humidity	0~85% RH	Torque	Related to the interface size, see selection table
Seals	Reference		
Shell material	Aluminum alloy/steel		
Protection level	IP51		

## Product Grade Selection Table

Product grade code	Max speed	Life	Seals
VC (general level)	100RPM	6 millions	Domestic famous brand seals
VD (industrial grade)	300RPM	20 millions	Imported seals