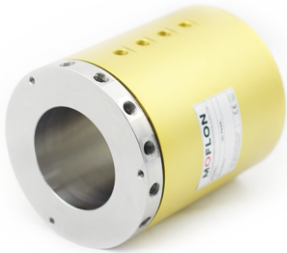


# MJ Series Through Bore Rotary Union

Pneumatic/Hydraulic rotary union is designed for rotary apparatus and it can provide safe and stable hybrid transmission for multi-passage air pressure and fluid media. With modular design, it is more stable and reliable. Pneumatic/Hydraulic rotary union can support positive pressure 90MPa and negative pressure -10MPa. With the through bore design, it can pass wires or pass other devices.



## Features

- Bore size 20mm , 30mm , rotating with 360 degrees, meanwhile transmitting pneumatic and hydraulics.
- Supporting 1/2/3/4/5/6/8/10/12/16 passages pneumatic/hydraulic.
- Standard port size have M5 , G1/8 , G1/4 , G3/8 , G1/2 , G3/4,G1" and so on.
- It can transfer media as compressed air,vacuum,hydrogen,nitrogen,steam, cooling water,hot water,oil and so on.
- High-speed and high-pressure rotating joint can be customized on request.

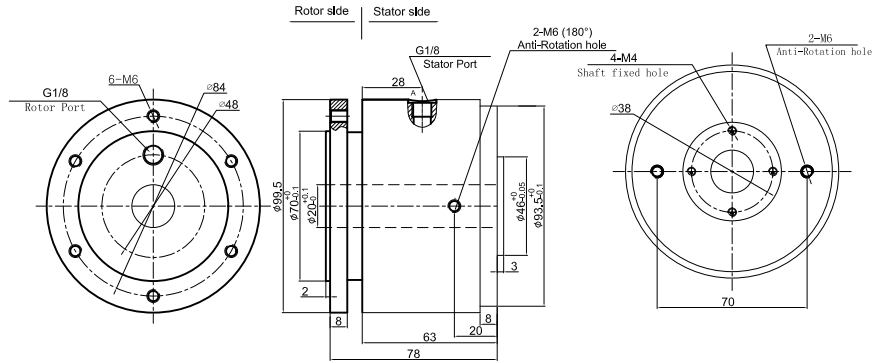
## MJ Series Models

Model#	Passages	Port size	Tube size	ID
MJ1020	1port in,1port out	G1/8; G1/4	3mm~12mm	20mm
MJ2020	2ports in,2ports out	G1/8; G1/4	3mm~12mm	20mm
MJ3020	3ports in,3ports out	G1/8; G1/4	3mm~12mm	20mm
MJ4020	4ports in,4ports out	G1/8; G1/4	3mm~12mm	20mm
MJ1030	1port in,1port out	G1/8; G1/4	3mm~12mm	30mm
MJ2030	2ports in,2ports out	G1/8; G1/4	3mm~12mm	30mm
MJ3030	3ports in,3ports out	G1/8; G1/4	3mm~12mm	30mm
MJ4030	4ports in,4ports out	G1/8; G1/4	3mm~12mm	30mm

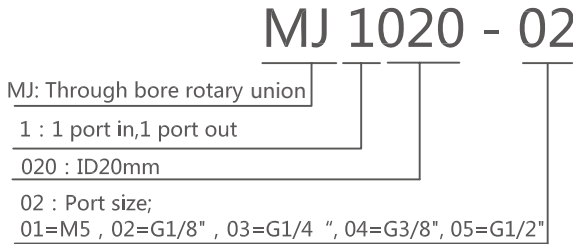
60% of products are customized,please contact sales for special requirements

# MJ1020 (ID 20mm, 1 ports in, 1 ports out)

MJ1020 is 1 passage through bore rotary union with bore size 20mm, supporting connection size G1/8 and G1/4, It can transfer media as compressed air, vacuum, hydrogen, nitrogen, steam, cooling water, hot water, oil and so on.



## Part# Explanation



Products quality level  
 VC common quality version  
 VD industrial quality version  
 Default =VC version

## Part# List

MJ1020 Parts# List				
Part#	Passage	Torque(N.M)	Connection Size	ID
MJ1020-02	1 port in, 1 port out	3	G1/8	20mm
MJ1020-03	1 port in, 1 port out	4	G1/4	20mm

## Specifications

Rotary joint specifications	
Parameter	Value
Passages	1 port in, 1 port out,
Max pressure	10MPa (can be customized) , Vacuum 0.01torr
Torque	See Part#List

## Product Quality Level Table

Quality Level Table			
Products Level Code	Max Rotating Speed	Working Life	Sealing Element
VC	100RPM	10 million	Common Seals
VD	300RPM	30 million	High-Quality Seals

## Options for custom slip ring

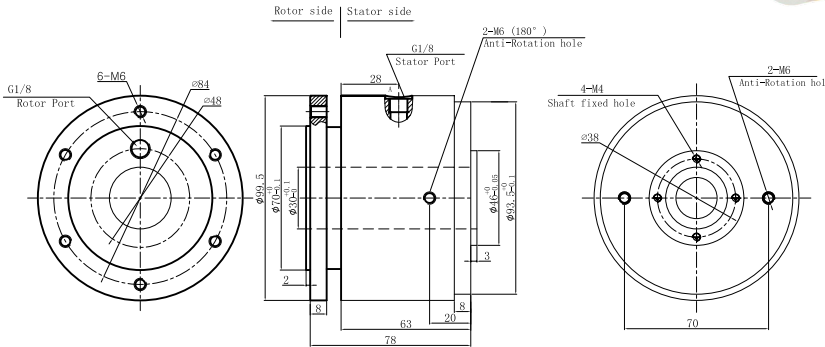
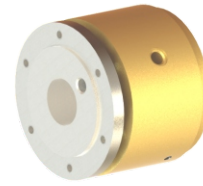
Note: it can be customized as below requirements, lead time would increase 3~15 days, price would increase 5%~50%. Most basic parts of slip ring are standard and modularized, which saved costs and lead time.

- 1 Port size
- 2 Pressure
- 3 Rotating speed
- 4 Through bore size
- 5 Corrosive media, all stainless steel, anti-explosion, high temp etc
- 6 Can combine with electrical slip ring

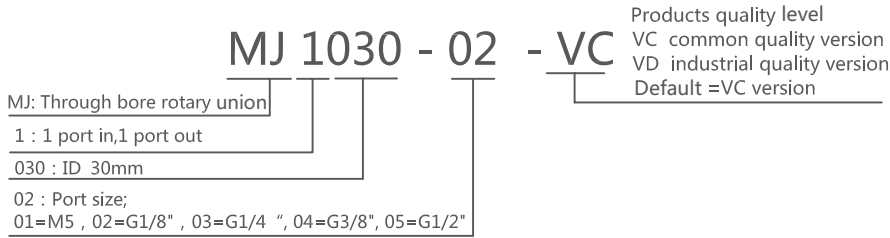
technical support: [technical@moflon.com](mailto:technical@moflon.com)

# MJ1030 (ID 30mm, 2 ports in, 2 ports out)

MJ1030 is 1 passage through bore rotary union with bore size 30mm, supporting connection size G1/8 and G1/4, It can transfer media as compressed air, vacuum, hydrogen, nitrogen, steam, cooling water, hot water, oil and so on.



## Part# Explanation



## Part# List

MJ1030 Parts# List				
Part#	Passage	Torque(N.M)	Connection Size	ID
MJ1030-02	1 port in, 1 port out	3	G1/8	30mm
MJ1030-03	1 port in, 1 port out	4	G1/4	30mm

## Specifications

Rotary joint specifications	
Parameter	Value
Passages	1 port in, 1 port out,
Max pressure	10MPa (can be customized) , Vacuum 0.01torr
Torque	See Part#List

## Product Quality Level Table

Quality Level Table			
Products Level Code	Max Rotating Speed	Working Life	Sealing Element
VC	100RPM	10 million	Common Seals
VD	300RPM	30 million	High-Quality Seals

## Options for custom slip ring

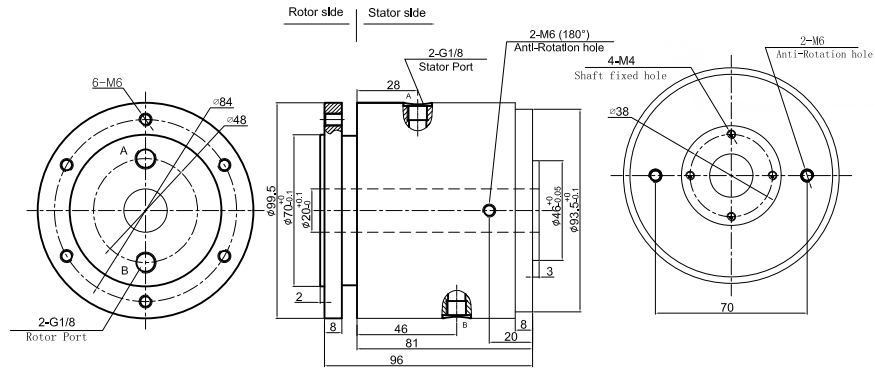
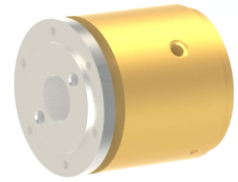
Note: it can be customized as below requirements, lead time would increase 3~15 days, price would increase 5%~50%. Most basic parts of slip ring are standard and modularized, which saved costs and lead time.

- 1 Port size
- 2 Pressure
- 3 Rotating speed
- 4 Through bore size
- 5 Corrosive media, all stainless steel, anti-explosion, high temp etc
- 6 Can combine with electrical slip ring

technical support: technical@moflon.com

# MJ2020 (ID 20mm, 2 ports in, 2 ports out)

MJ2020 is 2 passages through bore rotary union with bore size 20mm, supporting connection size G1/8 and G1/4. It can transfer media as compressed air, vacuum, hydrogen, nitrogen, steam, cooling water, hot water, oil and so on.



## Part# Explanation

MJ 2020 - 02 - VC

Products quality level  
 VC common quality version  
 VD industrial quality version  
 Default =VC version

MJ: Through bore rotary union  
 2 : 2 ports in, 2 ports out  
 020 : ID 20mm  
 02 : Port size;  
 01=M5 , 02=G1/8" , 03=G1/4" , 04=G3/8" , 05=G1/2"

## Part# List

MJ2020 Parts# List				
Part#	Passage	Torque(N.M)	Connection Size	ID
MJ2020-02	2 ports in, 2 ports out	3	G1/8	20mm
MJ2020-03	2 ports in, 2 ports out	4	G1/4	20mm

## Specifications

Rotary joint specifications	
Parameter	Value
Passages	2 ports in, 2 ports out,
Max pressure	10MPa (can be customized) , Vacuum 0.01torr
Torque	See Part#List

## Product Quality Level Table

Quality Level Table			
Products Level Code	Max Rotating Speed	Working Life	Sealing Element
VC	100RPM	10 million	Common Seals
VD	300RPM	30 million	High-Quality Seals

## Options for custom slip ring

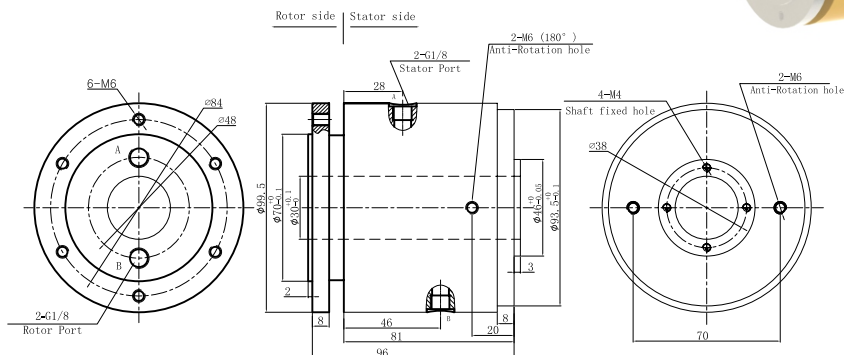
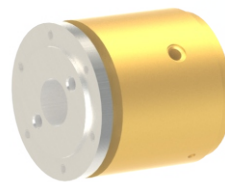
Note: it can be customized as below requirements, lead time would increase 3~15 days, price would increase 5%~50%. Most basic parts of slip ring are standard and modularized, which saved costs and lead time.

- 1 Port size
- 2 Pressure
- 3 Rotating speed
- 4 Through bore size
- 5 Corrosive media, all stainless steel, anti-explosion, high temp etc
- 6 Can combine with electrical slip ring

technical support: technical@moflon.com

# MJ2030 (ID 30mm, 2 ports in, 2 ports out)

MJ2030 is 2 passages through bore rotary union with bore size 30mm, supporting connection size G1/8 and G1/4. It can transfer media as compressed air, vacuum, hydrogen, nitrogen, steam, cooling water, hot water, oil and so on.



## Part# Explanation

MJ 2030 - 02 - VC

Products quality level  
 VC common quality version  
 VD industrial quality version  
 Default =VC version

MJ: Through bore rotary union  
 2 : 2 ports in, 2 ports out  
 030 : ID 30mm  
 02 : Port size;  
 01=M5 , 02=G1/8" , 03=G1/4" , 04=G3/8" , 05=G1/2"

## Part# List

MJ2030 Parts# List				
Part#	Passage	Torque(N.M)	Connection Size	ID
MJ2030-02	2 ports in, 2 ports out	3	G1/8	30mm
MJ2030-03	2 ports in, 2 ports out	4	G1/4	30mm

## Specifications

Rotary joint specifications	
Parameter	Value
Passages	2 ports in, 2 ports out,
Max pressure	10MPa (can be customized) , Vacuum 0.01torr
Torque	See Part#List

## Product Quality Level Table

Quality Level Table			
Products Level Code	Max Rotating Speed	Working Life	Sealing Element
VC	100RPM	10 million	Common Seals
VD	300RPM	30 million	High-Quality Seals

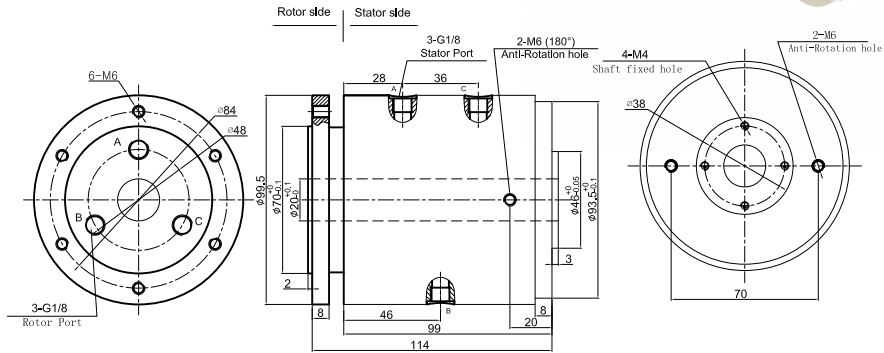
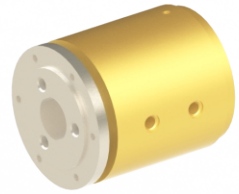
## Options for custom slip ring

Note: it can be customized as below requirements, lead time would increase 3~15 days, price would increase 5%~50%. Most basic parts of slip ring are standard and modularized, which saved costs and lead time.

- 1 Port size
  - 2 Pressure
  - 3 Rotating speed
  - 4 Through bore size
  - 5 Corrosive media, all stainless steel, anti-explosion, high temp etc
  - 6 Can combine with electrical slip ring
- technical support: [technical@moflon.com](mailto:technical@moflon.com)

# MJ3020 (ID 20mm, 3 ports in, 3 ports out)

MJ3020 is 3 passages through bore rotary union with bore size 20mm, supporting connection size G1/8 and G1/4. It can transfer media as compressed air, vacuum, hydrogen, nitrogen, steam, cooling water, hot water, oil and so on.



## Part# Explanation

MJ 3020 - 02 - VC

Products quality level  
 VC common quality version  
 VD industrial quality version  
 Default =VC version

MJ: Through bore rotary union  
 3 : 3 ports in, 3 ports out  
 020 : ID20mm  
 02 : Port size;  
 01=M5 , 02=G1/8" , 03=G1/4 " , 04=G3/8" , 05=G1/2"

## Part# List

MJ3020 Parts# List				
Part#	Passage	Torque(N.M)	Connection Size	ID
MJ3020-02	3 ports in, 3 ports out	5	G1/8	20mm
MJ3020-03	3 ports in, 3 ports out	6	G1/4	20mm

## Specifications

Rotary joint specifications	
Parameter	Value
Passages	3 ports in, 3 ports out,
Max pressure	10MPa (can be customized) , Vacuum 0.01torr
Torque	See Part#List

## Product Quality Level Table

Quality Level Table			
Products Level Code	Max Rotating Speed	Working Life	Sealing Element
VC	100RPM	10 million	Common Seals
VD	300RPM	30 million	High-Quality Seals

## Options for custom slip ring

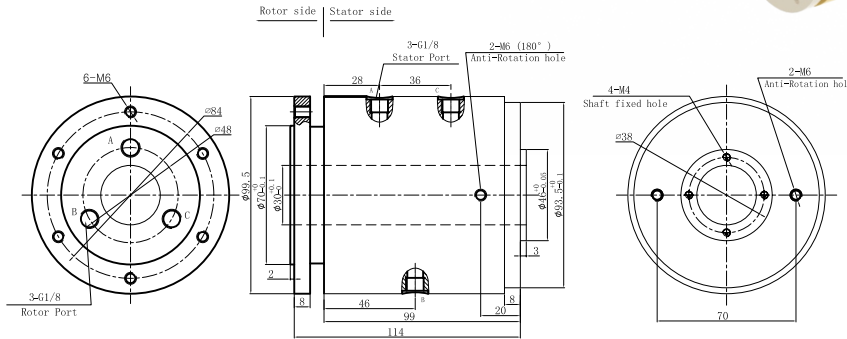
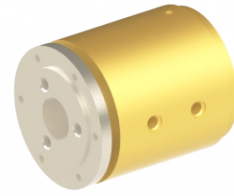
Note: it can be customized as below requirements, lead time would increase 3~15 days, price would increase 5%~50%. Most basic parts of slip ring are standard and modularized, which saved costs and lead time.

- 1 Port size
- 2 Pressure
- 3 Rotating speed
- 4 Through bore size
- 5 Corrosive media, all stainless steel, anti-explosion, high temp etc
- 6 Can combine with electrical slip ring

technical support: [technical@moflon.com](mailto:technical@moflon.com)

# MJ3030(ID 30mm, 3 ports in,3 ports out)

MJ3030 is 3 passages through bore rotary union with bore size 30mm, supporting connection size G1/8 and G1/4. It can transfer media as compressed air,vacuum,hydrogen,nitrogen,steam,cooling water,hot water,oil and so on.



## Part# Explanation

**MJ 3030 - 02 - VC**

Products quality level  
 VC common quality version  
 VD industrial quality version  
 Default =VC version

- MJ: Through bore rotary union
- 3 : 3 ports in,3 ports out
- 030 : ID30mm
- 02 : Port size;  
 01=M5 , 02=G1/8" , 03=G1/4 " , 04=G3/8" , 05=G1/2"

## Part# List

MJ3030 Parts# List				
Part#	Passage	Torque(N.M)	Connection Size	ID
MJ3030-02	3 ports in,3 ports out	5	G1/8	30mm
MJ3030-03	3 ports in,3 ports out	6	G1/4	30mm

## Specifications

Rotary joint specifications	
Parameter	Value
Passages	3 ports in,3 ports out,
Max pressure	10MPa (can be customized) , Vacuum 0.01torr
Torque	See Part#List

## Product Quality Level Table

Quality Level Table			
Products Level Code	Max Rotating Speed	Working Life	Sealing Element
VC	100RPM	10 million	Common Seals
VD	300RPM	30 million	High-Quality Seals

## Options for custom slip ring

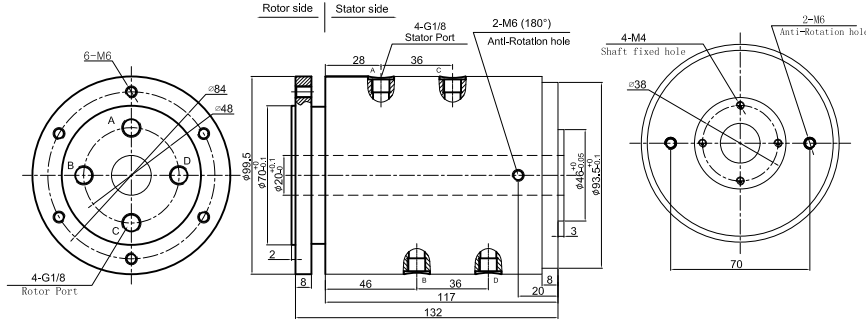
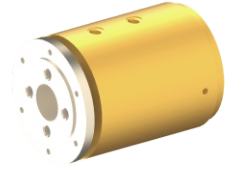
Note:it can be customized as below requirements, lead time would increase 3~15 days,price would increase 5%~50%.Most basic parts of slip ring are standard and modularized,which saved costs and lead time.

- 1 Port size
- 2 Pressure
- 3 Rotating speed
- 4 Through bore size
- 5 Corrosive media, all stainless steel,anti-explosion,high temp etc
- 6 Can combine with electrical slip ring

technical support: technical@moflon.com

# MJ4020 (ID 20mm, 4 ports in, 4 ports out)

MJ4020 is 4 passages through bore rotary union with bore size 20mm, supporting connection size G1/8 and G1/4, It can transfer media as compressed air, vacuum, hydrogen, nitrogen, steam, cooling water, hot water, oil and so on.



## Part# Explanation

MJ 4020 - 02 - VC

Products quality level  
 VC common quality version  
 VD industrial quality version  
 Default = VC version

MJ: Through bore rotary union  
 4 : 4 ports in, 4 ports out  
 020 : ID 20mm  
 02 : Port size;  
 01=M5 , 02=G1/8" , 03=G1/4" , 04=G3/8" , 05=G1/2"

## Part# List

MJ4020 Parts# List				
Part#	Passage	Torque(N.M)	Connection Size	ID
MJ4020-02	4 ports in, 4 ports out	6	G1/8	20mm
MJ4020-03	4 ports in, 4 ports out	7	G1/4	20mm

## Specifications

Rotary joint specifications	
Parameter	Value
Passages	4 ports in, 4 ports out,
Max pressure	10MPa (can be customized) , Vacuum 0.01torr
Torque	See Part# List

## Product Quality Level Table

Quality Level Table			
Products Level Code	Max Rotating Speed	Working Life	Sealing Element
VC	100RPM	10 million	Common Seals
VD	300RPM	30 million	High-Quality Seals

## Options for custom slip ring

Note: it can be customized as below requirements, lead time would increase 3~15 days, price would increase 5%~50%. Most basic parts of slip ring are standard and modularized, which saved costs and lead time.

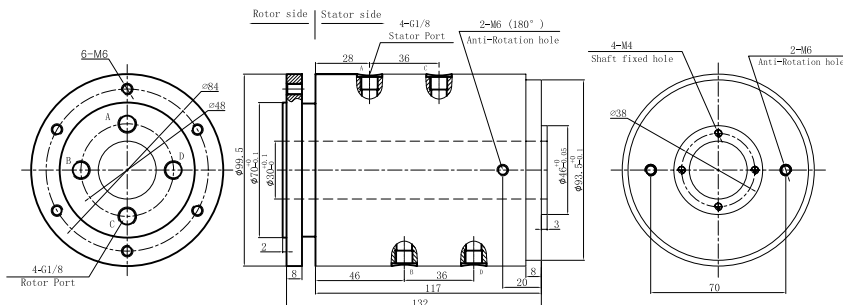
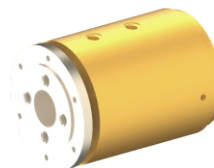
- 1 Port size
- 2 Pressure
- 3 Rotating speed
- 4 Through bore size
- 5 Corrosive media, all stainless steel, anti-explosion, high temp etc
- 6 Can combine with electrical slip ring

technical support: technical@moflon.com



# MJ4030 (ID 30mm, 4 ports in, 4 ports out)

MJ3030 is 4 passages through bore rotary union with bore size 30mm, supporting connection size G1/8 and G1/4. It can transfer media as compressed air, vacuum, hydrogen, nitrogen, steam, cooling water, hot water, oil and so on.



## Part# Explanation

**MJ 4030 - 02 - VC**

Products quality level  
 VC common quality version  
 VD industrial quality version  
 Default = VC version

MJ: Through bore rotary union

4 : 4 ports in, 4 ports out

030 : ID 30mm

02 : Port size;

01=M5 , 02=G1/8" , 03=G1/4" , 04=G3/8" , 05=G1/2"

## Part# List

MJ4030 Parts# List				
Part#	Passage	Torque(N.M)	Connection Size	ID
MJ4030-02	4 ports in, 4 ports out	6	G1/8	30mm
MJ4030-03	4 ports in, 4 ports out	7	G1/4	30mm

## Specifications

Rotary joint specifications	
Parameter	Value
Passages	4 ports in, 4 ports out,
Max pressure	10MPa (can be customized) , Vacuum 0.01torr
Torque	See Part#List

## Product Quality Level Table

Quality Level Table			
Products Level Code	Max Rotating Speed	Working Life	Sealing Element
VC	100RPM	10 million	Common Seals
VD	300RPM	30 million	High-Quality Seals

## Options for custom slip ring

Note: it can be customized as below requirements, lead time would increase 3~15 days, price would increase 5%~50%. Most basic parts of slip ring are standard and modularized, which saved costs and lead time.

1 Port size

2 Pressure

3 Rotating speed

technical support: [technical@moflon.com](mailto:technical@moflon.com)

4 Through bore size

5 Corrosive media, all stainless steel, anti-explosion, high temp etc

6 Can combine with electrical slip ring