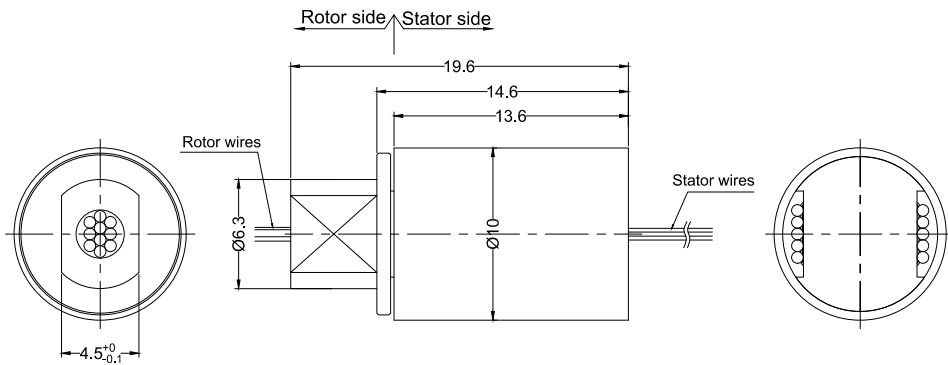


MMC146 Split electric slip ring

OD 10mm, 2~10 Circuit

MMC146 slip rings are small and compact with OD 10mm * L 19.6mm, standard, off-the-shelf. Color-coded lead wires are used on both the stator and rotor for simplified electrical connections. Using a 90° V-groove ring design for each ring.

MMC1469 is the high-end version corresponding to MMC146, It has higher performance and longer working life, higher speed rotating speed, low noise.



Part# Explanation

MMC 146(9)

MMC:miniature capsule slip ring
 146:common quality version
 1469:high-end quality version

Specification

| Electrical Data | | |
|-----------------------|---------------------------------|--------------------------|
| Parameter | Value | |
| | Power | Signal |
| Rated Voltage | 0~120VAC/VDC | 0~120VAC/VDC |
| Insulation Resistance | $\geq 100M\Omega/120VDC$ | $\geq 100M\Omega/120VDC$ |
| Lead Wires | AWG#28 teflon | AWG#28 teflon |
| Lead Length | Standard 300mm(adjustable) | |
| Electrical Noise | <0.01 Ω | |
| Mechanical Data | | |
| Parameter | Value | |
| Working Life | See Product Quality Level Table | |
| Rotating Speed | See Product Quality Level Table | |
| Working Temperature | -30°C~80°C | |
| Operating Humidity | 0~85% RH | |
| Contact Material | See Product Quality Level Table | |
| Housing Material | See Product Quality Level Table | |
| Torque | 0.005N.m; +0.02N.m/6rings | |
| Protection Grade | IP51 | |

Part# List

| MMC146 Series Parts# List | | |
|---------------------------|-----------|-------------|
| Part# | Signal/2A | Total Wires |
| MMC146 | 10 | 10 |

Note: N channels 1A rings parallel can be used as 1 channel $N \times 1A$ current. For example: 2 rings 1A parallel could be used as 1 wires 2A ,please contact sales for special requirements

Product Quality Level Table

| Part# | Max Speed | Working Life | Housing Material | Electrical Noise①@10RPM |
|---------|-----------|--------------|------------------|-------------------------|
| MMC146 | 250RPM | > 10 million | Plastic | 10mΩ |
| MMC1469 | 1000RPM | > 20 million | Plastic | 4mΩ |

Lead Wires Color Code

| Ring | 1 | 2 | 3 | 4 | 5 | 6 | 7 | 8 | 9 | 10 |
|-------|-----|----|----|----|----|----|----|----|----|----|
| Color | RED | GN | YL | PL | GY | BK | BU | BN | OG | WT |

Options for custom slip ring

- MMC1469 is the high-end version corresponding to MMC146.
- Optional flange mounting.
- Specified connectors and Heat-shrink tube.
- Longer lead lengths available.
- High temperature is optional.
- Military Grade.