

MSCS Food Grade Single Rotary Joint

Main features

The single-channel MSCS rotary unions feature hygienic three-jacket ferrule connections, food grade seals and bearing lubricants, and FDA-approved designs for use with CIP (Clean-in-Place) systems. In order to minimize fluid stagnation points, smooth flow lines were designed in the design to provide clear channels for fluids. Special bearings are installed in the sealed chamber to prevent lubricants and contaminants from entering.

The stainless steel MSCS series uses high-performance DSTI sealing technology and can be connected using ASME-BPE or DIN 32676. If needed, rotary joint can be modified to meet the specific requirements of each application, including changes to the MSCS Series mounting configuration, connections, sealing systems, and housing or shaft dimensions.

List

| Model | Passages | Port size | Pressure |
|---------|------------|-----------|----------|
| MSCS16 | 1 passages | G3/4" | 0-50MPa |
| MSCS18 | 1 passages | G1" | 0-50MPa |
| MSCS112 | 1 passages | G1-1/2" | 0-50MPa |
| MSCS116 | 1 passages | G2" | 0-50MPa |
| MSCS120 | 1 passages | G2-1/2" | 0-50MPa |
| MSCS124 | 1 passages | G3" | 0-50MPa |
| MSCS132 | 1 passages | G4" | 0-50MPa |

Customization options

Note: The following special requirements can be customized, the delivery time will increase by 3 to 15 days, the cost increases by 5% to 50%, most of the company's basic accessories are standardized, modular, non-standard customization can greatly reduce costs And delivery period.

1. Connector size
2. pressure
3. High and low speed
- 4 hollow bore size
5. Corrosive media, all stainless steel, explosion-proof, high temperature
6. can be combined with the electric slip ring

Technical Support E-mail: technical@moflon.com

Model description

MSCS 16 - VC

MSCS: Food Grade Single Rotary Joint

1: 1 in 1 out

1: Port size, 1=G1/8", 2=G1/4", 3=G3/8"
4=G1/2", 5=G5/8", 6=G3/4", 8=G1", 10=G(1+1/4")

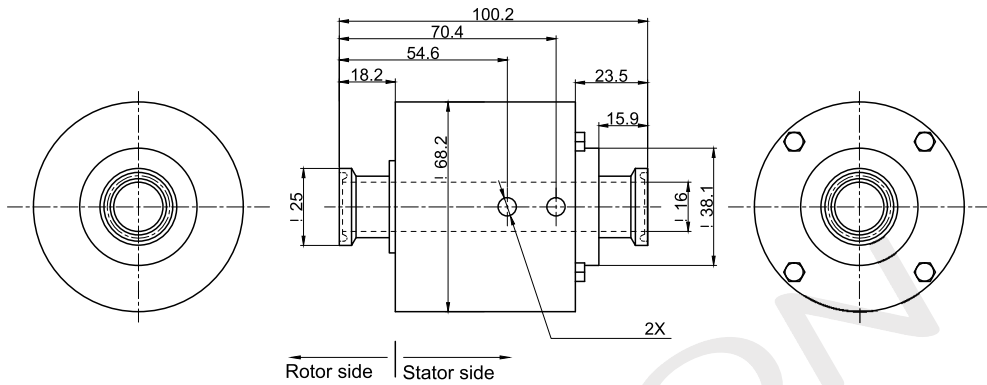
Product grade code

VC General Grade Product Grade

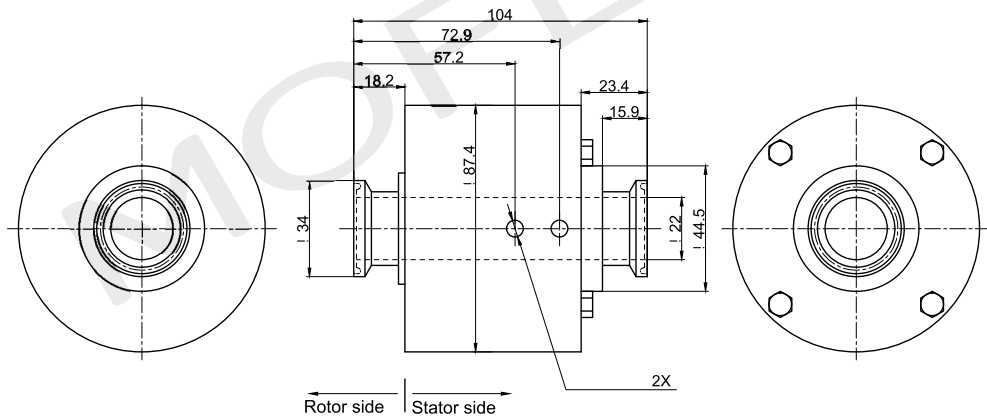
VD industrial grade

Default omitted = VC general product level

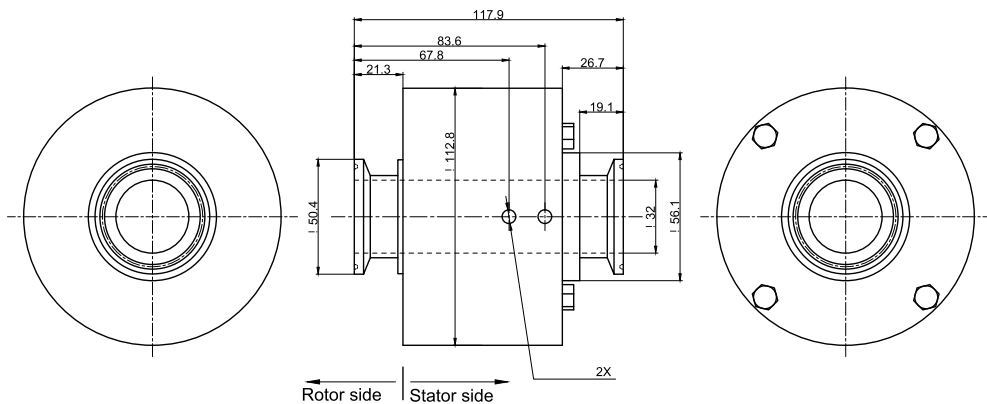
MSCS16 (Food Grade Single Rotary Joint) Dimension Drawing G3/4"



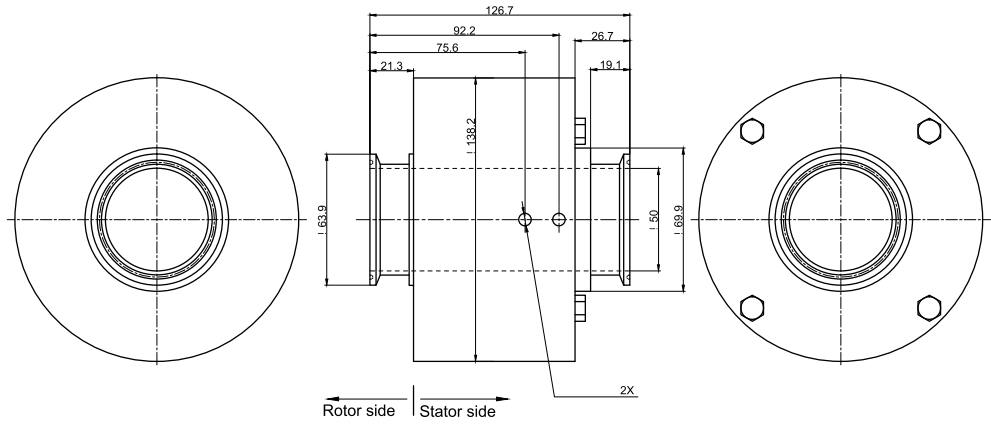
MSCS18 (Food Grade Single Rotary Joint) Dimension Drawing G1"



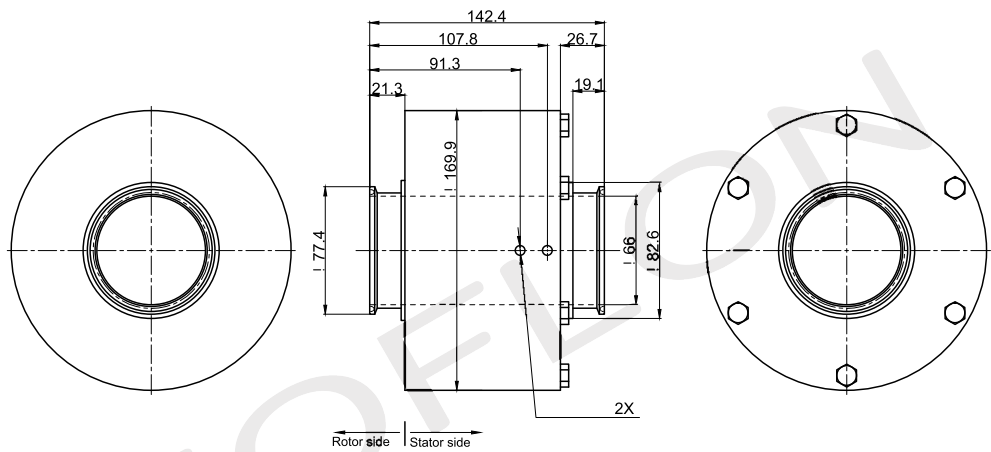
MSCS112 (Food Grade Single Rotary Joint) Dimension Drawing G1+1/2"



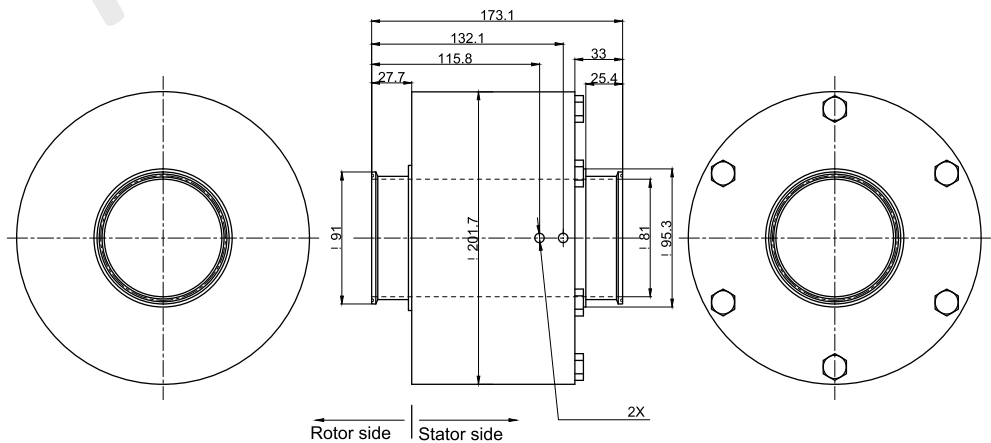
MSCS116 (Food Grade Single Rotary Joint) Dimension Drawing G2"



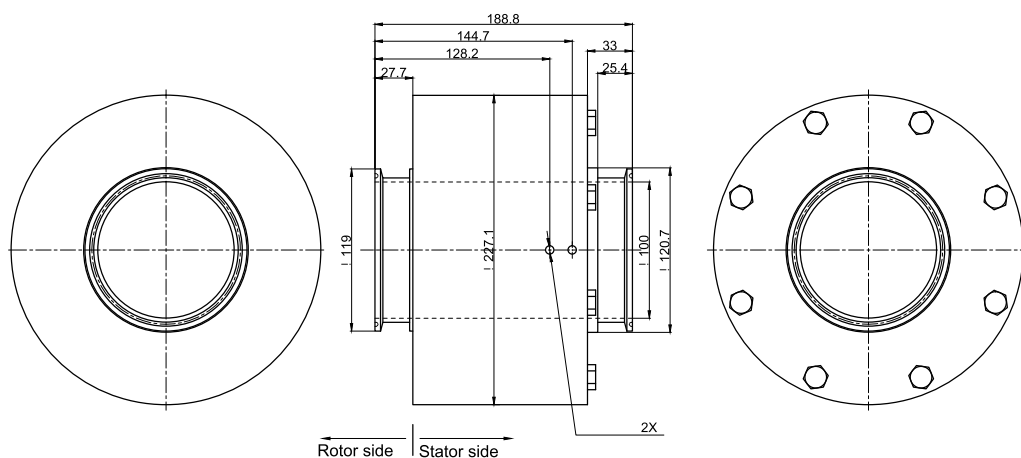
MSCS120 (Food Grade Single Rotary Joint) Dimension Drawing G2+1/2"



MSCS124 (Food Grade Single Rotary Joint) Dimension Drawing G3"



MSCS132 (Food Grade Single Rotary Joint) Dimension Drawing G4*



Technical specifications

| Mechanical Specifications | | Rotary joint part specification | |
|---------------------------|----------------------|---------------------------------|--|
| Parameters | Value | Parameters | Value |
| life span | Reference | Number of channels | 1 channels |
| Rated speed | Reference | greatest pressure | 50MPa (customizable high pressure), vacuum 30HG |
| Operating temperature | -30°C~80°C | Media can be | Air, vacuum, hydraulic oil, water, hot water, coolant, steam, etc. |
| Working humidity | 0~85% RH | Torque | Related to the interface size, see selection table |
| Seals | Reference | | |
| Shell material | Aluminum alloy/steel | | |
| Protection level | IP51 | | |

Product Grade Selection Table

| Product grade code | Max speed | Life | Seals |
|-----------------------|-----------|-------------|-----------------------------|
| VC (general level) | 100RPM | 6 millions | Domestic famous brand seals |
| VD (industrial grade) | 300RPM | 20 millions | Imported seals |