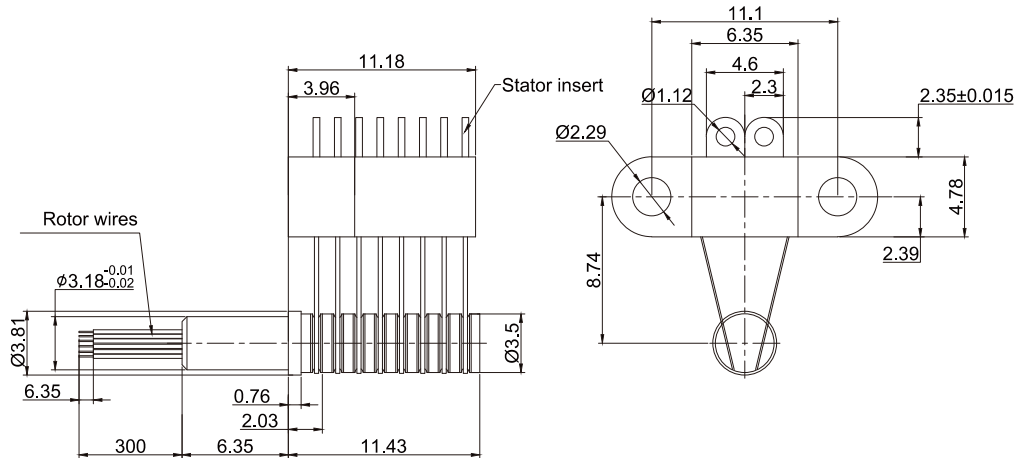


MSP108AC Separated Slip Rings

8 rings*1A

MSP108AC separated slip ring is a type of minitype slip rings. It adopts a separated rotor and contact brushes combination, supporting 8 wires for signal or 1A. The exiting wires in stator and rotor are correspondingly 8 colored wires, it can simplify the electrical connection. The 90-degree angle V-groove design has the characteristics of smooth rotation, low torque and low electrical noise, which can exceed ordinary slip ring products.



MSP108AC9 is the highest-end version of MSP108AC, which is used for military, aerospace, etc., differences as below

Parts#	Max working speed	Working life	Torque	Electrical noise@10Rpm
MSP108AC	250RPM	20 million	0.02 N•m	10mΩ
MSP108AC9	1000RPM	100 million	0.005 N•m	4mΩ

Part# Explanation

MSP108AC Part# Explanation		
Parts#	Signal or 2A	Products Level
MSP108AC	8	Common quality
MSP108AC9	8	High-end quality

Note: N channels 2A rings parallel can be used as 1 channel N*2A current. For example: 2 rings 2A parallel could be used as 1 wire 4A

Specifications

Electrical Data			Mechanical Data	
Parameter	Value		Parameter	Value
	Power	Signal	Working Temperature	-30°C~80°C
Rated Voltage	0~120VAC/VDC	0~120VAC/VDC	Operating Humidity	0~85% RH
Insulation Resistance	≥150MΩ/220VDC	≥150MΩ/220VDC	Contact Material	Gold-Gold
Lead Wires	AWG30#Teflon	AWG30#Teflon	Torque	Ip40
Lead Length	Standard 300mm (adjustable)			
Dielectric Strength	100VAC@50Hz, 60s			
Electrical Noise	<0.01Ω			

Lead Wires Color Code

Ring	1	2	3	4	5	6	7	8
Code	BN	RD	OG	YL	GU	BU	PL	GY