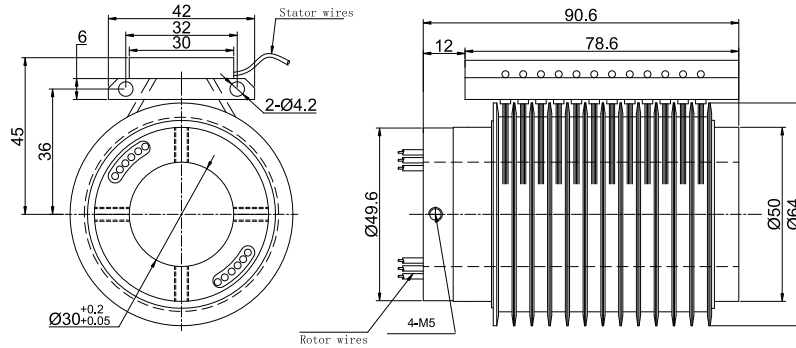


# MSP230 Separated Slip Rings

Bore size 30mm, 12 rings\*10A

(Noted: It can be customized for the bore size and rings number according to customer's requirements)

MSP230 separated slip ring adopts a separated rotor and contact brushes combination, supporting 12 wires for signal or 10A. The exiting wires in stator and rotor are correspondingly six colored wires, it can simplify the electrical connection. The 90-degree angle V-groove design has the characteristics of smooth rotation, low torque and low electrical noise, which can exceed ordinary slip ring products.



MSP2309 is the highest-end version of MSP230, which is used for military, aerospace, etc., differences as below

Parts#	Max working speed	Working life	Torque	Electrical noise①@10Rpm
MSP230	150RPM	10 million	0.1 N•m	10mΩ
MSP2309	400RPM	30 million	0.05 N•m	6mΩ

## Part# Explanation

MSP230 Part# Explanation		
Part#	Signal or 10A	Products Level
MSP230	12	Common quality
MSP2309	12	High-end quality

Note: N channels 10A rings parallel can be used as 1 channel N\*10A current. For example: 2 rings 10A parallel could be used as 1 wires 20A

## Specifications

Parameter	Electrical Data		Mechanical Data	
	Power	Signal	Parameter	Value
Rated Voltage	0~440VAC/VDC	0~440VAC/VDC	Working Temperature	-30°C~80°C
Insulation Resistance	≥1000MΩ/500VDC	≥1000MΩ/500VDC	Operating Humidity	0~85% RH
Lead Wires	AWG16#Teflon	AWG22#Teflon	Contact Material	Gold-Gold
Lead Length	Standard 300mm (adjustable)		Torque	Ip40
Dielectric Strength	500VAC@50Hz, 60s			
Electrical Noise	<0.01Ω			

## Lead Wires Color Code

Ring	1	2	3	4	5	6	7	8	9	10	11	12
Code	BLK	RED	YLW	GRN	BLU	WHT	BLK	RED	YLW	GRN	BLU	WHT

(6 wires for 1 group color, from 7-12, repeat the same color as 1...6, indicated with number code pipe)

## Options for custom slip ring

Note: it can be customized as below requirements. lead time would increase 3~15 days, price would increase 5%~50%. Most basic parts of slip ring are standard and modularized, which saved costs and lead time.

- 1) Bore size
- 2) Circuits number
- 3) High temperature, high speed etc.