

MSPS Single rotary joint

Main features

The MSPS series single-channel rotary joints are compact, light weight and corrosion resistant, it's stainless steel shafts and aluminum housings. All MSPS series models are standard with male threaded shaft and female threaded housing for easy installation.

List

Model	Passages	Port size	Pressure
MSPS11	1 passages	G1/8"	0-50MPa
MSPS12	1 passages	G1/4"	0-50MPa
MSPS13	1 passages	G3/8"	0-50MPa
MSPS14	1 passages	G1/2"	0-50MPa
MSPS16	1 passages	G3/4"	0-50MPa
MSPS18	1 passages	G1"	0-50MPa

Technical specifications

Mechanical Specifications		Rotary joint part specification	
Parameters	Value	Parameters	Value
life span	Reference	Number of channels	1 channels
Rated speed	Reference	greatest pressure	50MPa (customizable high pressure), vacuum 30HG
Operating temperature	-30°C~80°C	Media can be	Air, vacuum, hydraulic oil, water, hot water, coolant, steam, etc.
Working humidity	0-85% RH	Torque	Related to the interface size, see selection table
Seals	Reference		
Shell material	Aluminum alloy/steel		
Protection level	IP51		

Product Grade Selection Table

Product grade code	Max speed	Life	Seals
VC (general level)	100RPM	6 millions	Domestic famous brand seals
VD (industrial grade)	300RPM	20 millions	Imported seals

Customization options

Note: The following special requirements can be customized, the delivery time will increase by 3 to 15 days, the cost increases by 5% to 50%, most of the company's basic accessories are standardized, modular, non-standard customization can greatly reduce costs And delivery period.

1. Connector size
2. pressure
3. High and low speed
4. hollow bore size
5. Corrosive media, all stainless steel, explosion-proof, high temperature
6. can be combined with the electric slip ring

Technical Support E-mail: technical@moflon.com

Model description

MSPS 11 - VC

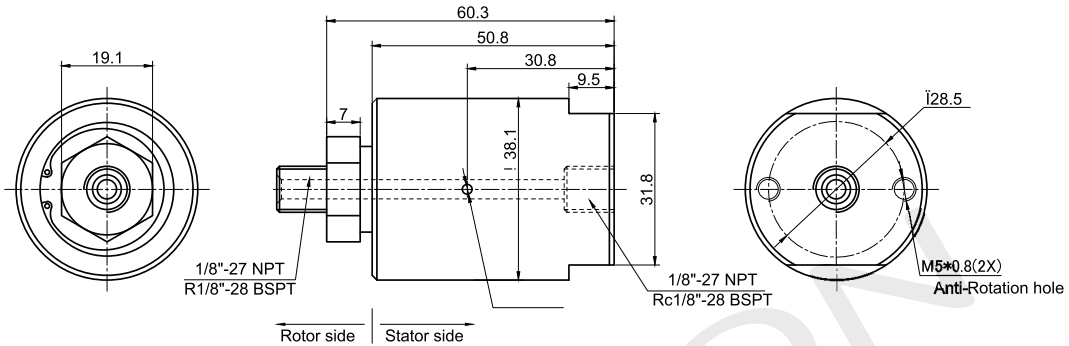
MSPS: Single rotary joint

1: 1 in 1 out

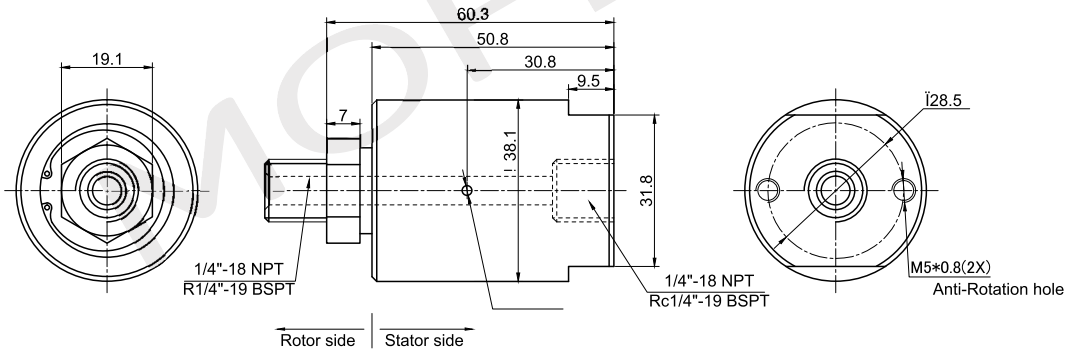
1: Port size, 1=G1/8", 2=G1/4", 3=G3/8"
4=G1/2", 5=G5/8", 6=G3/4", 8=G1", 10=G(1+1/4")

Product grade code
VC General Grade Product Grade
VD industrial grade
Default omitted = VC general product level

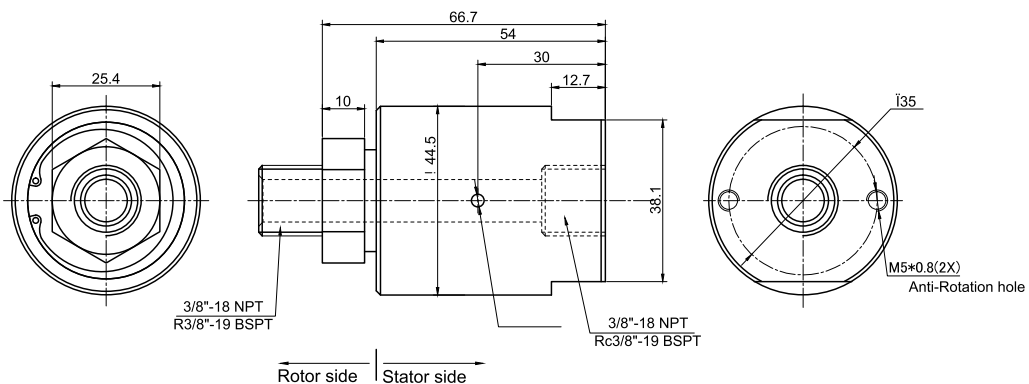
MSPS11 (single swivel) Dimensions G1/8"



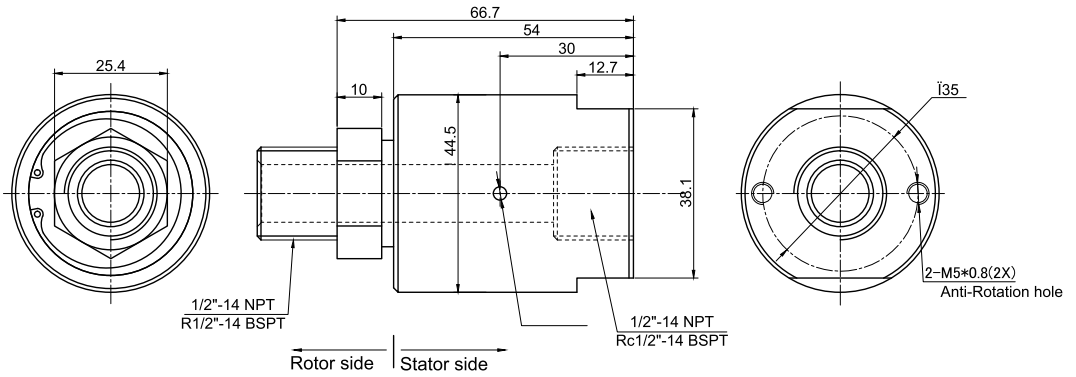
MSPS12 (single swivel) Dimensions G1/4"



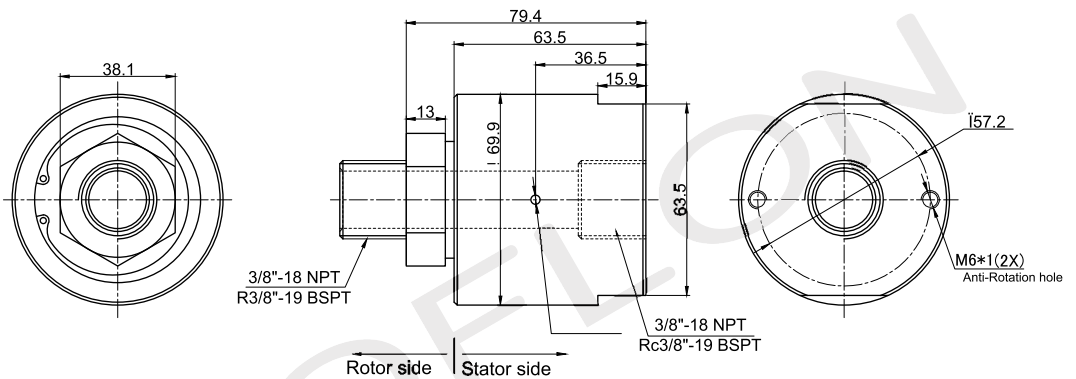
MSPS13 (single swivel) Dimensions G3/8"



MSPS14 (single swivel) Dimensions G1/2"



MSPS16 (single swivel) Dimensions G3/4"



MSPS18 (single swivel) Dimensions G1"

