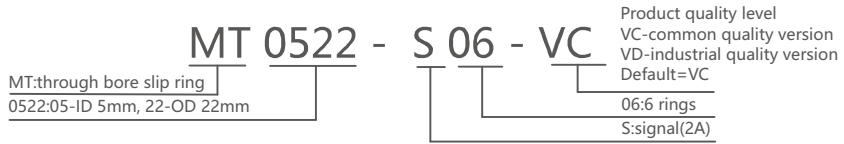


MT0522 Series

MT0522 series provides a 5mm through-bore for routing of hydraulic or pneumatic lines or hydraulic or pneumatic rotating shaft installation, and a compact 22mm outside diameter, features long life, fiber brush contact technology for ultimate performance in many challenging applications. MT0522 series are standard, off-the-shelf products, Color-coded lead wires are used on both the stator and rotor for simplified electrical connections. It can transmit signal(2A), 5A current when 360° degree free rotating.



Part# Explanation



Part# List

MT0522 Series Parts# List		
Part#	Signal or 2A	Length-L (mm)
MT0522-S02	2	19
MT0522-S04	4	19
MT0522-S06	6	19
MT0522-S08	8	30
MT0522-S10	10	30
MT0522-S12	12	30
MT0522-S15	15	30

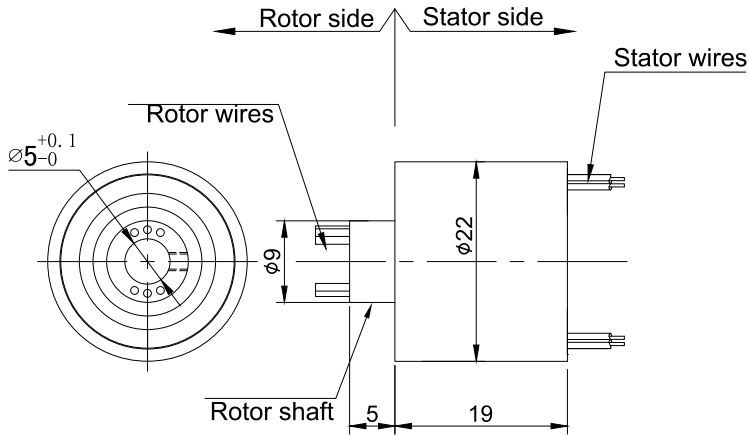
Note:N channels 2A rings parallel can be used as 1 channel N*2A current. For example: 2 rings 2A parallel could be used as 1 wires 4A

Specifications

Mechanical Data		Electrical Data		
Parameter	Value	Parameter	Value	
Working Life	10 million revs	Rated Voltage	Power	Signal
Rotating Speed	Max 250RPM		0~220VAC/VDC	0~220VAC/VDC
Working Temperature	-30°C~80°C	Insulation Resistance	≥100MΩ/220VDC	
Operating Humidity	0~85% RH		Lead Wires	MT0522-S06
Contact Material	Gold-gold	AWG26#Teflon		AWG28#Teflon
Housing Material	PBT	Lead Length	Standard 300mm(adjustable)	
Torque	0.05N.m; +0.02N.m/6rings	Insulation Strength	500VAC@50Hz , 60s	
Protection Grade	IP51	Electrical Noise	<0.01Ω	

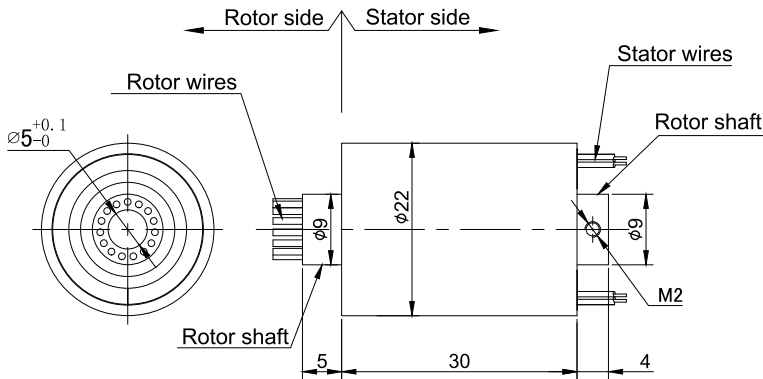
Product Quality Level Table

Products Level Code	Max Rotating Speed	Working Life	Contact Material
VC	250RPM	20 Million Revs	Precious Metal
VD	600RPM	60 Million Revs	Gold-Gold



Lead Wires Color Code

Ring	1	2	3	4	5	6
Color	BLK	RED	YEL	GRY	BLU	WHT



Lead Wires Color Code

Ring	1	2	3	4	5	6	7	8	9	10	11	12
Color	RED	GRN	YEL	VLT	GRY	BLK	BLU	DKBU	BRN	ORN	WHT	DKYEL
Ring	13		14			15						
Color	WHT-RED		WHT-BLK			WHT-BLU						

Options For Custom Slip Ring

Note: Below special demands can be customized. According, the delivery date will be extended 3 to 15 days; also the cost will be increased 30% to 50%. Most of our basic parts are standard and modular, which can save the cost and lead time.

- ① Cable exit way and cable length can be customized for both rotor and stator.
- ② Because of the structure limitation, length/height/OD can be customized on your request.
- ③ Support current or signal up to 200 rings.
- ④ Aviation plug, terminal and heat-shrink tube are optional.
- ⑤ Hybrid slip ring for Yaskawa/Panasonic/Siemens servo control signal, power line and encoder line.
- ⑥ Support mixed high speed data transmission (including Ethernet, USB, RS232, RS485, Profibus, CanBUS, CANOPEN, DeviceNET, CC-LINK, ProfiNET, EtherCAT, etc.)
- ⑦ Can combine temperature control signal with thermocouple signal.
- ⑧ Special environment can be customized, such as quakeproof, high temperature, etc.
- ⑨ Hybrid Pneumatic/hydraulic and electric slip ring can be mixed.
- ⑩ High temperature can up to 500 degrees.
- ⑪ High pressure can up to 110KV
- ⑫ Rotating speed can up to 10000RPM
- ⑬ Maximum current can up to 5000 amperes.
- ⑭ Military grade
- ⑮ Optional for underwater IP65, IP68.
- ⑯ Optional for stainless steel housing

Technical support: technical@moflon.com