

MVH large flow swivel

Main features

MVH series multi-channel rotary joints have 3, 4, 6 and 8 channels etc standard specifications. Designed for applications that require high flow rates, the HVH Series has a larger diameter runner for vacuum and bi-directional pressures up to 7,5000 PSI [500 kilograms].

The heavy-duty alloy steel structure with corrosion-resistant QBQ nitride surface treatment and protected ball bearings makes the HVH series an ideal solution for outdoor harsh environments.

All models are standard on the surface of the shaft and on the side of the housing with internal thread connections.

List

Model	Passages	Port size	Pressure
MVH36	3 passages	G3/4"	0-50MPa
MVH38	3 passages	G1"	0-50MPa
MVH46	4 passages	G3/4"	0-50MPa
MVH48	4 passages	G1"	0-50MPa
MVH66	6 passages	G3/4"	0-50MPa
MVH68	6 passages	G1"	0-50MPa
MVH86	8 passages	G3/4"	0-50MPa
MVH88	8 passages	G1"	0-50MPa
MVH310	3 passages	G1-1/4"	0-50MPa
MVH312	3 passages	G1-1/2"	0-50MPa
MVH410	4 passages	G1-1/4"	0-50MPa
MVH412	4 passages	G1-1/2"	0-50MPa
MVH610	6 passages	G1-1/4"	0-50MPa
MVH612	6 passages	G1-1/2"	0-50MPa
MVH810	8 passages	G1-1/4"	0-50MPa
MVH812	8 passages	G1-1/2"	0-50MPa

Customization options

Note: The following special requirements can be customized, the delivery time will increase by 3 to 15 days, the cost increases by 5% to 50%, most of the company's basic accessories are standardized, modular, non-standard customization can greatly reduce costs And delivery period.

1. Connector size
2. pressure
3. High and low speed
4. hollow bore size
5. Corrosive media, all stainless steel, explosion-proof, high temperature
6. can be combined with the electric slip ring

Technical Support E-mail: technical@moflon.com

Model description

MVH 36 - VC

MVH: Large flow swivel

3: 3 in 3 out

1: Port size, 1=G1/8", 2=G1/4", 3=G3/8"
4=G1/2", 5=G5/8", 6=G3/4", 8=G1", 10=G(1+1/4")

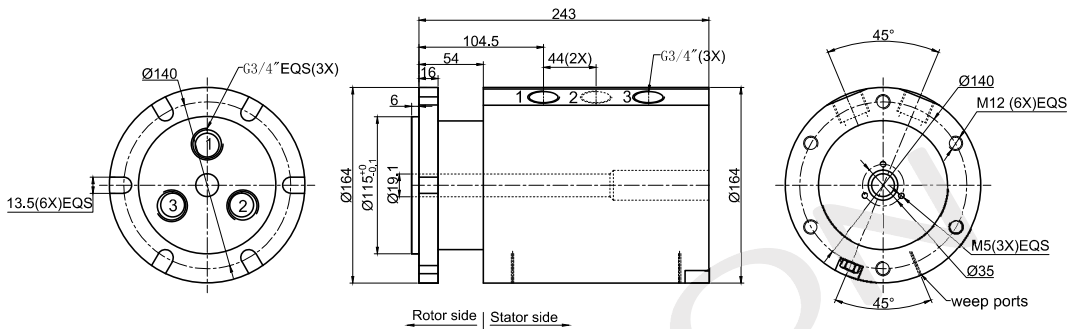
Product grade code

VC General Grade Product Grade

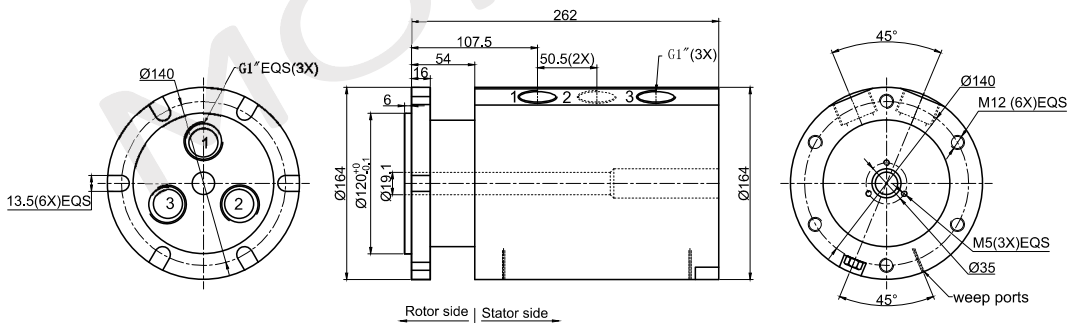
VD industrial grade

Default omitted = VC general product level

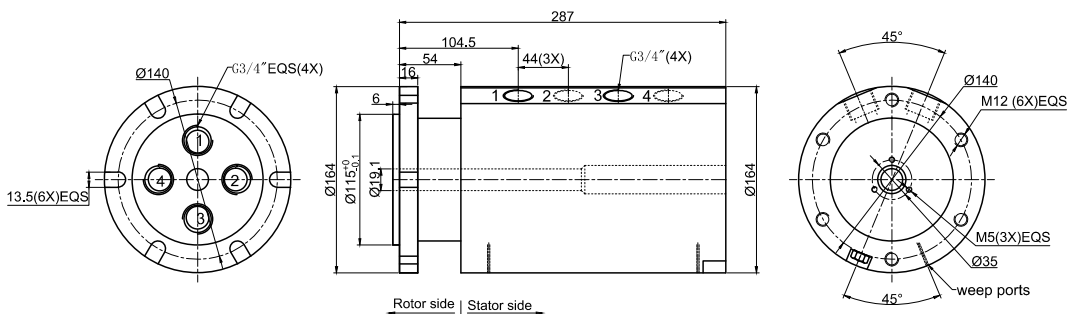
MVH36 (large flow swivel) Dimensional drawing G3/4"



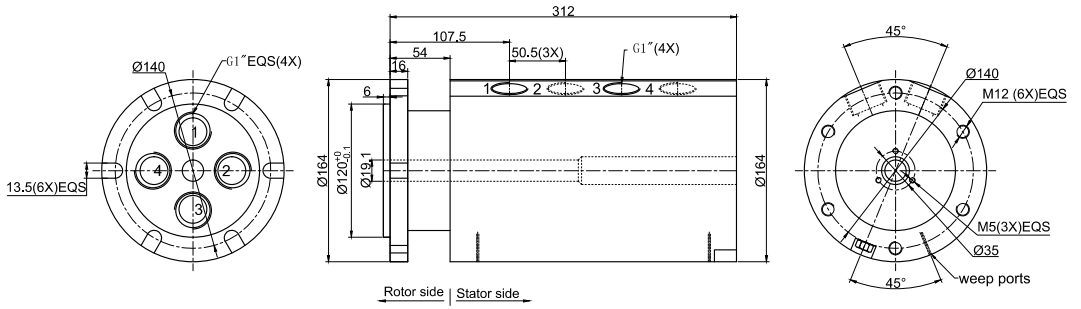
MVH38 (large flow swivel) Dimensional drawing G1"



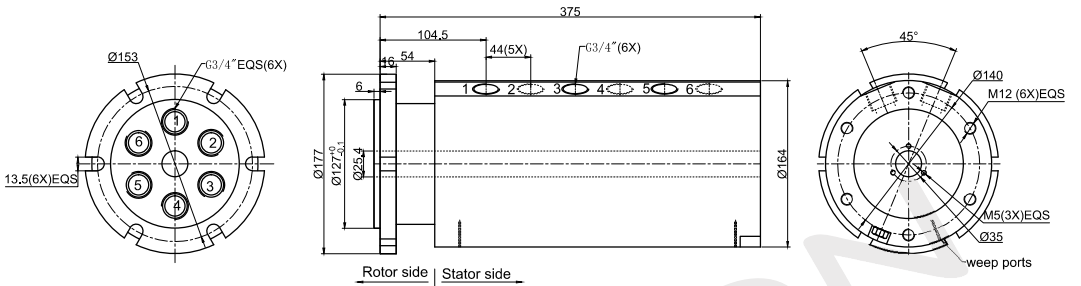
MVH46 (large flow swivel) Dimensional drawing G3/4"



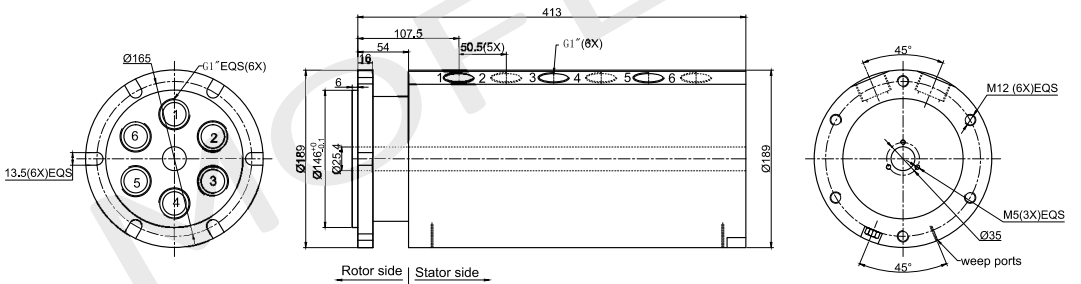
MVH48 (large flow swivel) Dimensional drawing G1"



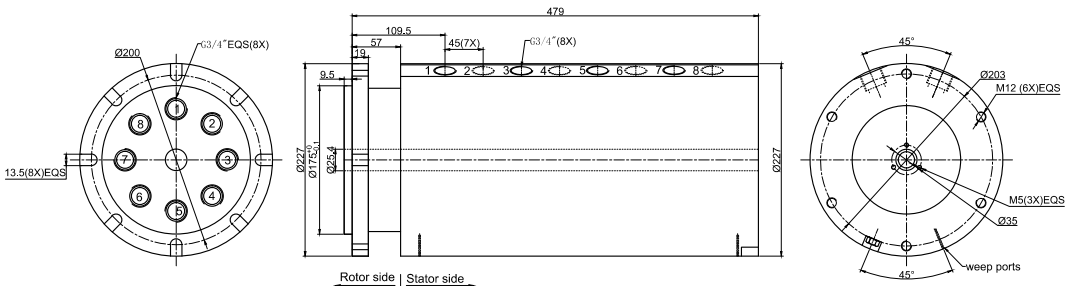
MVH66 (large flow swivel) Dimensional drawing G3/4"



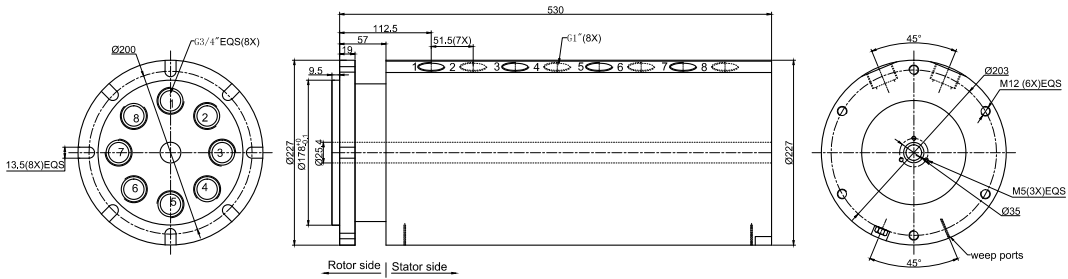
MVH68 (large flow swivel) Dimensional drawing G1"



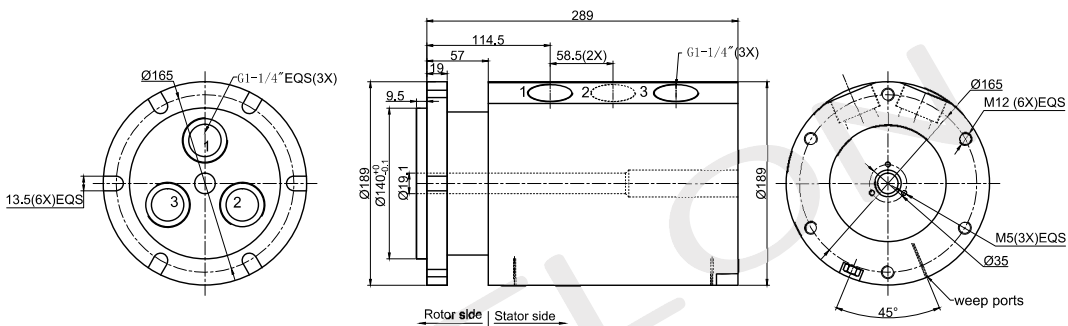
MVH86 (large flow swivel) Dimensional drawing G3/4"



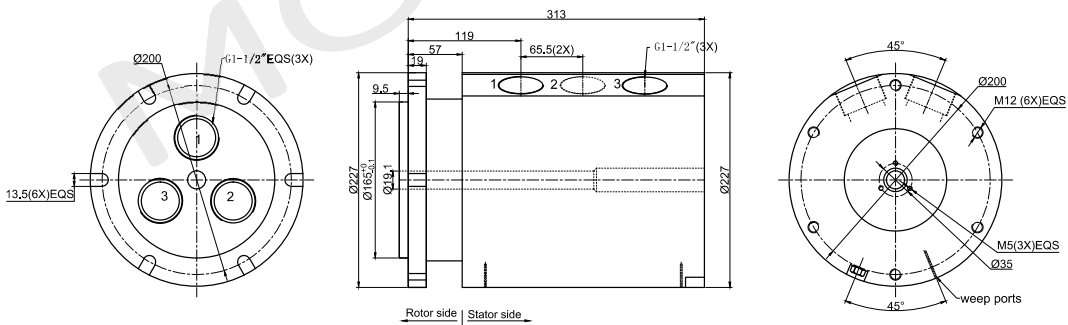
MVH88 (large flow swivel) Dimensional drawing G1"



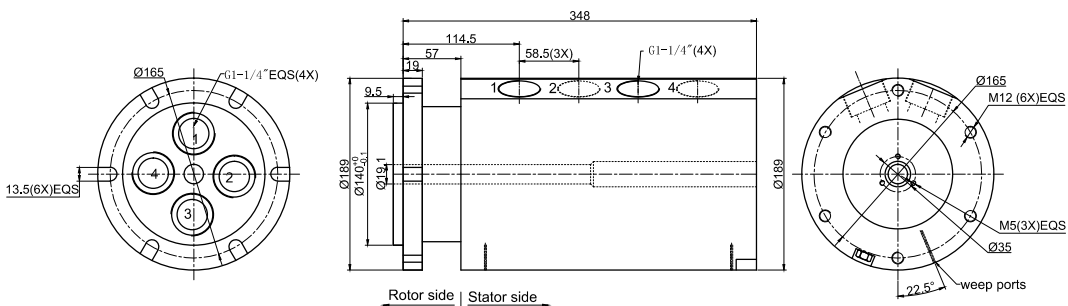
MVH310 (large flow swivel) Dimensional drawing G1+1/4"



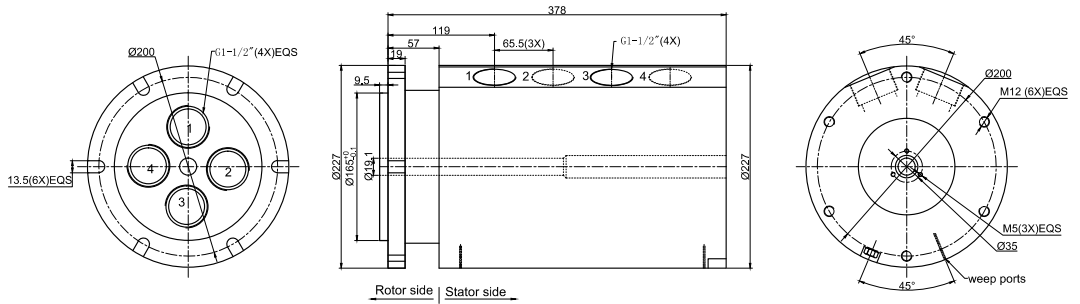
MVH312 (large flow swivel) Dimensional drawing G1+1/2"



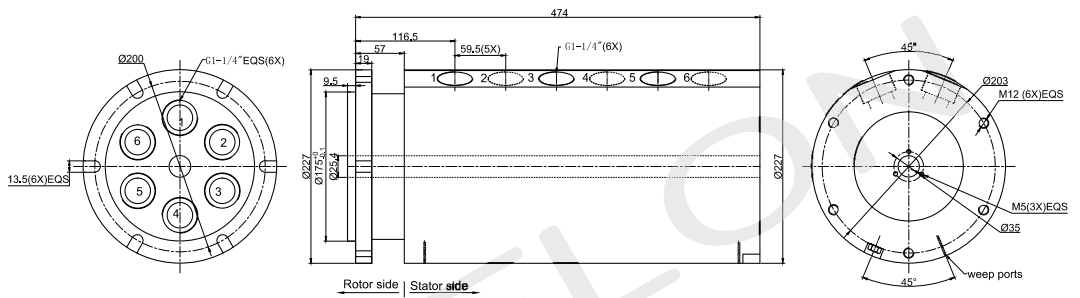
MVH410 (large flow swivel) Dimensional drawing G1+1/4"



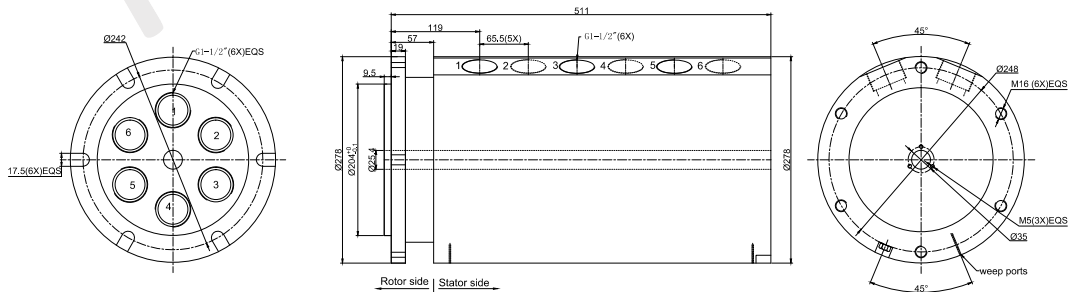
MVH412 (large flow swivel) Dimensional drawing G1+1/2"



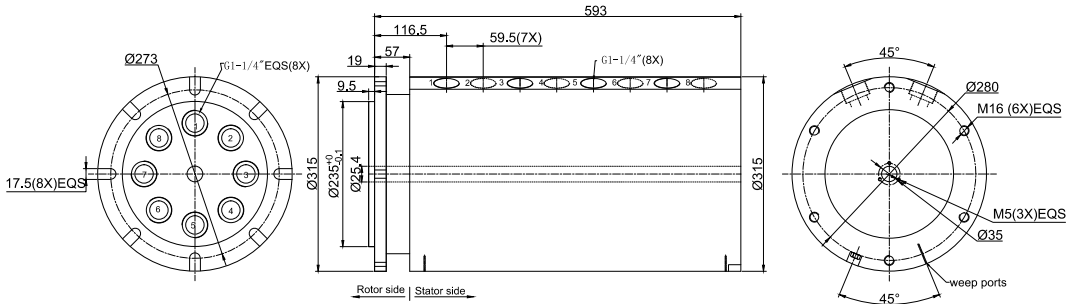
MVH610 (large flow swivel) Dimensional drawing G1+1/4"



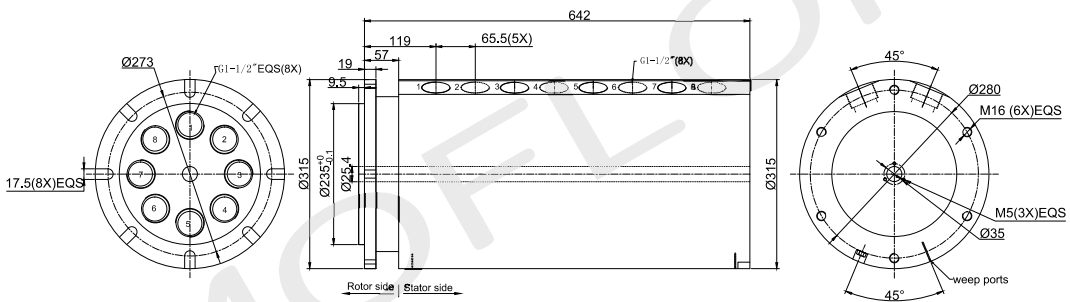
MVH612 (large flow swivel) Dimensional drawing G1+1/2"



MVH810 (large flow swivel) Dimensional drawing G1+1/4"



MVH812 (large flow swivel) Dimensional drawing G1+1/2"



Technical specifications

Mechanical Specifications		Rotary joint part specification	
Parameters	Value	Parameters	Value
life span	Reference	Number of channels	3, 4, 6, 8 channels
Rated speed	Reference	greatest pressure	50MPa (customizable high pressure), vacuum 30HG
Operating temperature	-30°C~80°C	Media can be	Air, vacuum, hydraulic oil, water, hot water, coolant, steam, etc.
Working humidity	0~85% RH	Torque	Related to the interface size, see selection table
Seals	Reference		
Shell material	Aluminum alloy/steel		
Protection level	IP51		

Product Grade Selection Table

Product grade code	Max speed	Life	Seals
VC (general level)	100RPM	6 millions	Domestic famous brand seals
VD (industrial grade)	300RPM	20 millions	Imported seals