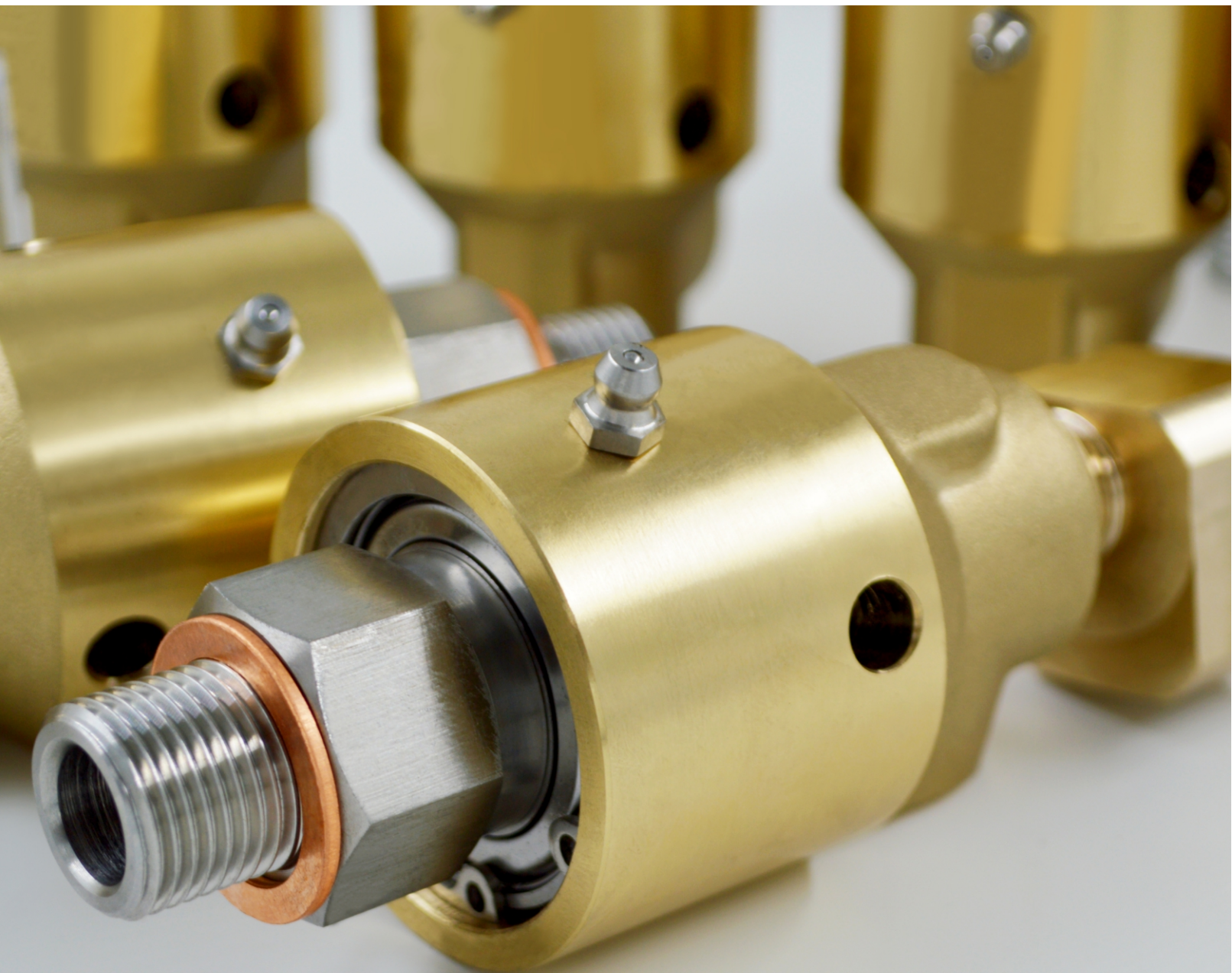


MOFLON

ROTARY JOINTS FOR MACHINE TOOL



MOFLON TECHNOLOGY CO., LIMITED.

CONTENTS

COOLING WATER SERIES 9-24

KRXB Series Rotary joints	10
KBP Series Multi-channel mechanical seal rotary joints	12
KRX Series Rotary Joints	13
KBC Series Rotary Joints	15
KRXE Series Rotary Joints	17
KBE Series Rotary Joints	19
KCH Series Rotary Joints	21
KCI Series Rotary Joints	23

HOT WATER SERIES 25-35

KRXB Series Rotary Joints	26
KRX Series Rotary Joints	28
KBC Series Rotary Joints	30
KRXE Series Rotary Joints	32
KBE Series Rotary Joints	34

STREAM SERIES 36-42

KSAB Series Rotary Joints	37
KSA Series Rotary Joints	38
KLN Series Steam swivel joints	41
KQS-Y Series Steam swivel joints	42

HEAT TRANSFER OIL SERIES 43-52

KRXB Series Rotary Joints	44
KSA Series Rotary Joints	46
KRXH Series Rotary Joints	49
KHG Series Rotary Joints	50
KRXE Series Rotary Joints	51

HYDRAULIC OIL SERIES 53-65

KMT Series Hydraulic swivel joints	54
KK Series Rotary Joints	44
KM Series Rotary Joints	57
KBP Series Multi-channel mechanical seal rotary joints	59

K380 Series Rotary Joints	60
KBE Series Rotary Joints	61
KC Series High pressure rotary joints	63
KM Series Hydraulic swivel joints	64

COOLANT SERIES 66-75

KBP Series Multi-channel mechanical seal rotary joints ...	67
K380 Series Rotary Joints	68
K375 Series Special rotary joint for machine tool industry	69
KBE Series Rotary Joints	71
KC Series High pressure rotary joints	73
KM High Speed rotary joints	74

AIR SERIES 76-91

KMT Series Hydraulic swivel joints	77
KM Series Rotary joints	78
KBP Series Multi-channel mechanical seal rotary joints	80
K380 Series Rotary joints	81
KBE Series Rotary joints	82
KMD Series Hydraulic swivel joint	84
KG Series High Speed Rotary joints	86
KMAP Series Rotary Joints	88
MK Series Pneumatic Rotary Union	90
MQR Ultra Low Torque Pneumatic Rotary Union	91

MULTI CHANNEL SERIES 92-103

KK Series Rotary Joints	93
KM Series Rotary Joints	95
KBP Series Multi-channel mechanical seal rotary joints	97
K380 Series Rotary joints	98
KMT Series Hydraulic swivel joints	99
MK Series Pneumatic Rotary Union	100
MQR Ultra Low Torque Pneumatic Rotary Union	101
KM Series Hydraulic swivel joints	102

The rotary joint is a rotating mechanical seal device that transports and removes heat transfer media for fixed pipelines and rotating drums. The heat transfer media for rotary joints include steam, water, heat transfer oil, hydraulic oil, gas and coolant, etc.





COOLING WATER SERIES

KRXB Series Rotary joints

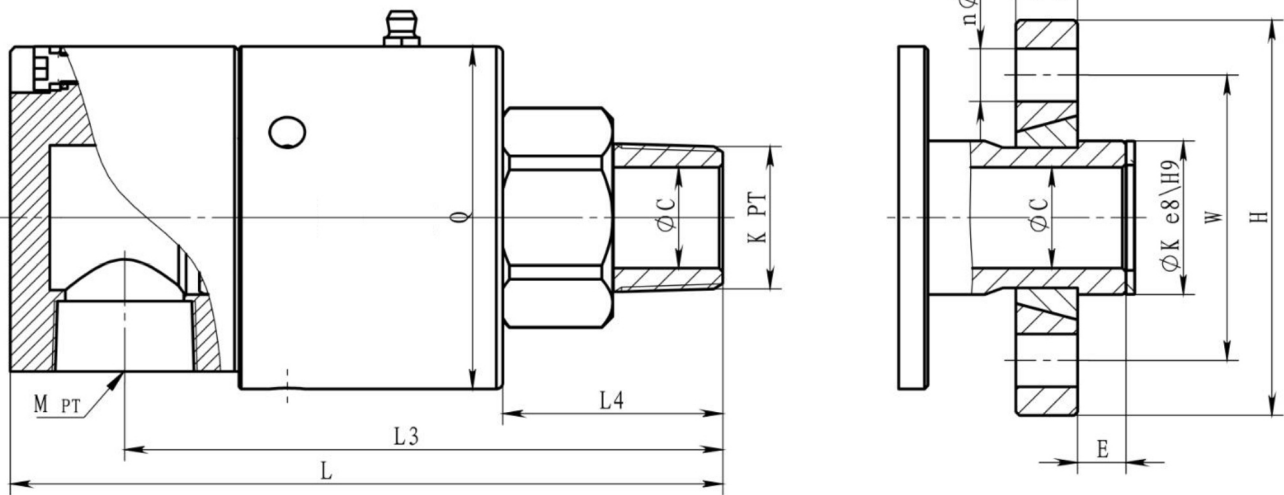
Applicable medium	Temperature	Max pressure	Max Rotary Speed
Water	90°C	1.1Mpa	2500RPM
hot oil	180°C	1.1Mpa	2500RPM



Product Features

- ▲ Balanced mechanical dynamic seal, long life cycle;
- ▲ The spring is not in contact with the medium, which improves reliability and increases the flow area;
- ▲ Stainless steel shell and rotor, corrosion-resistant;
- ▲ The shell adopts a split structure, and the seal can be replaced online, reducing downtime and maintenance costs;
- ▲ The O-ring moves with the sealing ring as a whole, the design is reliable, and the O-ring has no possibility of slack and slipping out;
- ▲ Silicon carbide dynamic seal, enhanced toughness and impact resistance;
- ▲ The matching sealing surface, the selected material meets the specific working conditions.

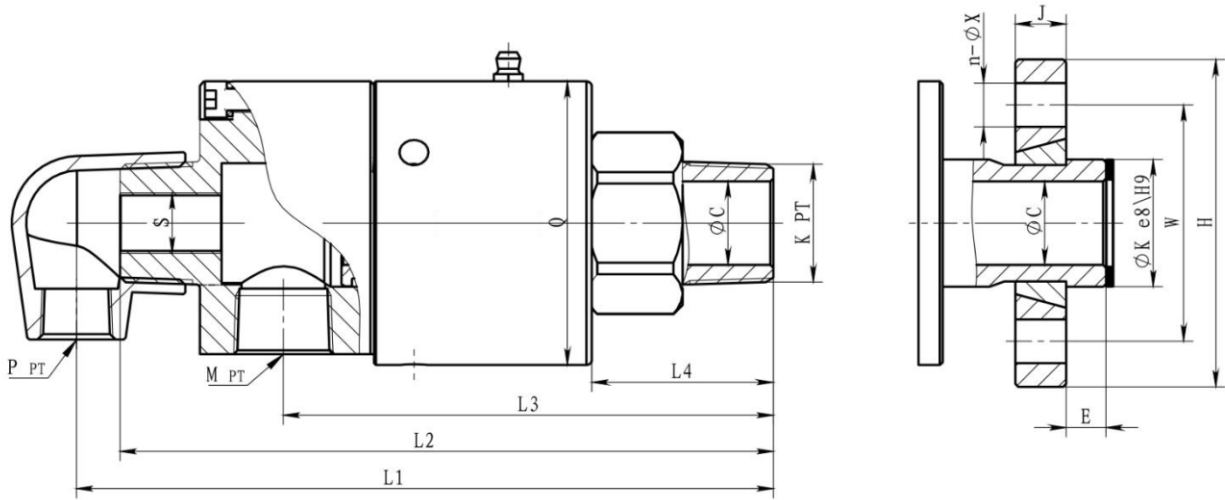
KRXBM Single Channel Rotary Joint



Size	K	M	P	S	L1	L2	L3	L4	L6	Q	Flange rotor							
											ΦC	E	ΦK	W	H	J	-ΦX	
015	1/2"	R1/2"	Rc1/2"	Rc1/2"	G1/8"	155	140	108	35	20	59	13	8	23	55	80	14	4-Φ10
020	3/4"	R3/4"	Rc1/2"	Rc1/2"	G1/4"	175	165	125	40	25	74	16	11	26	55	80	14	4-Φ12
025	1"	R1"	Rc3/4"	Rc1/2"	G3/8"	195	180	132	44	30	78	23	11	35	65	90	14	4-Φ12
032	1-1/4"	R1-1/4"	Rc3/4"	Rc3/4"	G1/2"	235	215	160	54	30	98	30	13	45	75	100	16	4-Φ14
040	1-1/2"	R1.1/2"	Rc1"	Rc3/4"	G3/4"	260	240	172	58	35	105	36	13	50	85	115	16	4-Φ14
050	2"	R2"	Rc1"	Rc1"	G1"	290	265	195	65	35	115	45	16	60	95	125	16	4-Φ14

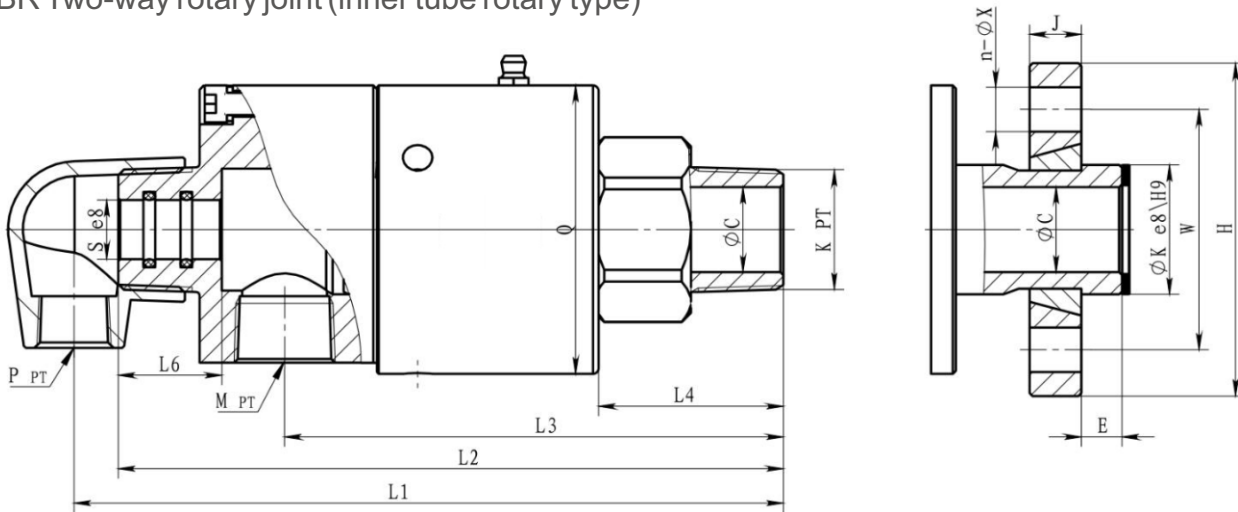
Note: With the difference of medium, caliber, pressure, rotating speed and temperature, the use limitation will also be different. Under special conditions, please contact Moflon Technology Co., Ltd. to determine the safety limitation.

KRXBD Two-way rotary joint (inner tube fixed type)



Size	K	M	P	S	L1	L2	L3	L4	L6	Q	Flange rotor							
											φC	E	φK	W	H	J	-φX	
015	1/2"	R1/2"	Rc1/2"	Rc1/2"	G1/8"	155	140	108	35	20	59	13	8	23	55	80	14	4-φ10
020	3/4"	R3/4"	Rc1/2"	Rc1/2"	G1/4"	175	165	125	40	25	74	16	11	26	55	80	14	4-φ12
025	1"	R1"	Rc3/4"	Rc1/2"	G3/8"	195	180	132	44	30	78	23	11	35	65	90	14	4-φ12
032	1-1/4"	R1-1/4"	Rc3/4"	Rc3/4"	G1/2"	235	215	160	54	30	98	30	13	45	75	100	16	4-φ14
040	1-1/2"	R1.1/2"	Rc1"	Rc3/4"	G3/4"	260	240	172	58	35	105	36	13	50	85	115	16	4-φ14
050	2"	R2"	Rc1"	Rc1"	G1"	290	265	195	65	35	115	45	16	60	95	125	16	4-φ14

KRXBR Two-way rotary joint (inner tube rotary type)



Size	K	M	P	S	L1	L2	L3	L4	L6	Q	Flange rotor							
											φC	E	φK	W	H	J	-φX	
015	1/2"	R1/2"	Rc1/2"	Rc1/2"	φ10	155	140	108	35	20	59	13	8	23	55	80	14	4-φ10
020	3/4"	R3/4"	Rc1/2"	Rc1/2"	φ12	175	165	125	40	25	74	16	11	26	55	80	14	4-φ12
025	1"	R1"	Rc3/4"	Rc1/2"	φ16	195	180	132	44	30	78	23	11	35	65	90	14	4-φ12
032	1-1/4"	R1-1/4"	Rc3/4"	Rc3/4"	φ20	235	215	160	54	30	98	30	13	45	75	100	16	4-φ14
040	1-1/2"	R1.1/2"	Rc1"	Rc3/4"	φ25	260	240	172	58	35	105	36	13	50	85	115	16	4-φ14
050	2"	R2"	Rc1"	Rc1"	φ32	290	265	195	65	35	115	45	16	60	95	125	16	4-φ14

Note: With the difference of medium, caliber, pressure, rotating speed and temperature, the use limitation will also be different. Under special conditions, please contact Moflon Technology Co., Ltd. to determine the safety limitation.

KBP Series Multi-channel Mechanical Seal Rotary Joints

Applicable medium	Temperature	Max pressure	Max Rotary Speed
Water	-30~+80°C	7Mpa	3000RPM
Air			
Hydraulic oil			

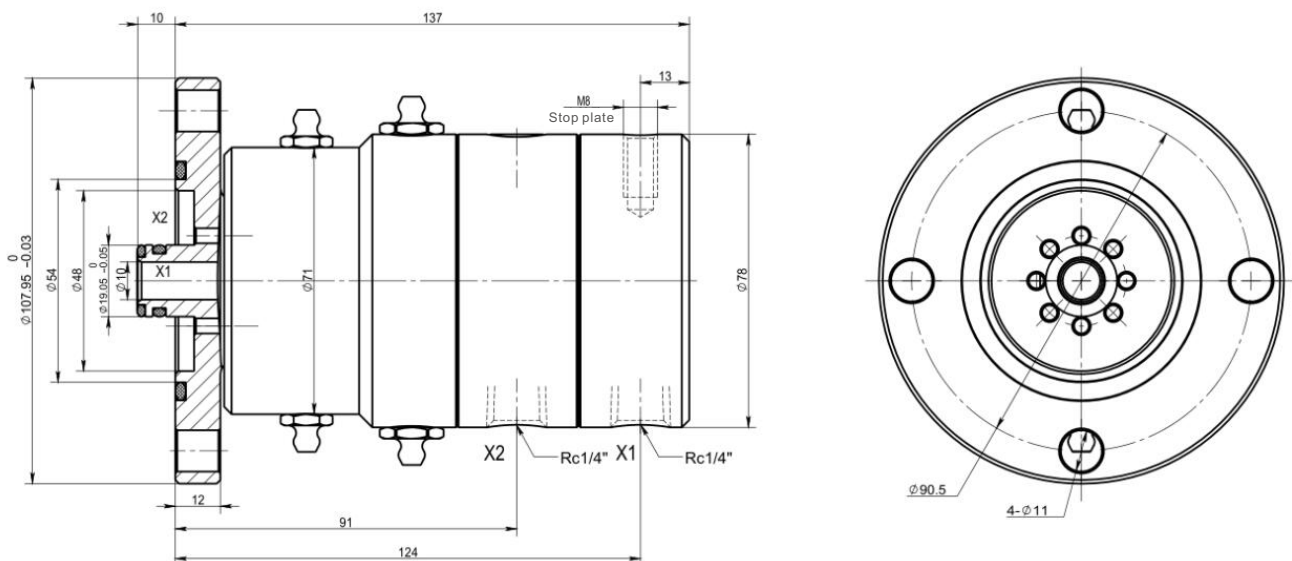


Product Features

- ▲ Multi-channel mechanical seal structure can be applied to high-speed rotary compressed air equipment;
- ▲ Supported by two imported ball bearings, the rotation is stable;
- ▲ Multi-spring design structure provides stable spring force for the sealing surface;
- ▲ Balanced mechanical tight structure design, reducing the impact of pressure change load on the sealing surface and prolonging the service life;
- ▲ There is an observation hole in the shell, which can observe the leakage and friction.

IMPORTANT NOTICE

1. Please read the order instructions when ordering, and indicate the working medium and pressure of each channel;
2. After installation, it must be ensured that one leakage hole is vertically downward;
3. The pressure of X1 channel should not be larger than the pressure of X2 channel 04Mpa.



KRX Series Rotary Joints

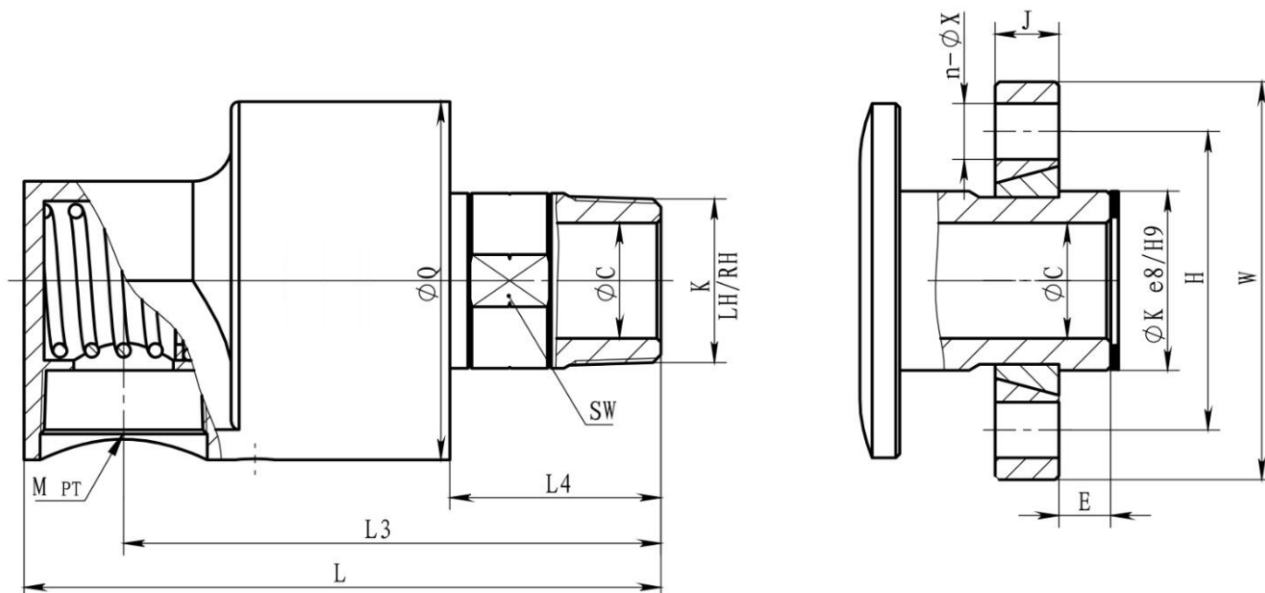
Applicable medium	Temperature	Max pressure	Max Rotary Speed
Water	90°C	1.1Mpa	1500RPM



Product Features

- ▲ Brass shell, corrosion-resistant stainless steel rotor;
- ▲ The combination of fine ceramic material and carbon sealing ring has high speed and low torque performance;
- ▲ Enclosed bearings are used, and lubrication is carried out during the service life, and no maintenance is required except for regular inspections and no leakage caused by wear of the rotary joint.

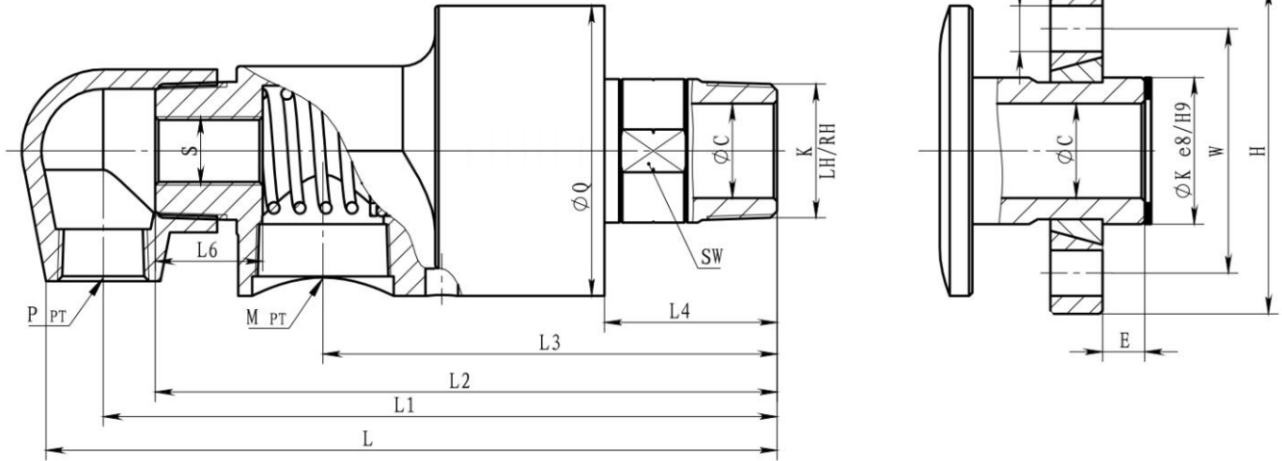
KRXM Single-channel rotary joint



Standard size		K	M	L	L3	L4	Q	SM	Flange rotor						
									C	K	W	H	E	J	n-X
010	3/8"	R3/8"	Rc3/8"	111	95	38	55	22	8	20	40	60	8	14	4- $\phi 10$
015	1/2"	R1/2"	Rc1/2"	111	95	38	55	22	12	25	50	70	8	14	4- $\phi 10$
020	3/4"	R3/4"	Rc3/4"	120	103	38	62	27	16	30	55	80	11	14	4- $\phi 12$
025	1"	R1"	Rc1"	138	115	48	72	32	22	35	65	90	11	14	4- $\phi 12$
032	1-1/4"	R1-1/4"	Rc1-1/4"	165	137	55	90	42	29	45	75	100	13	16	4- $\phi 14$
040	1-1/2"	R1-1/2"	Rc1-1/2"	185	153	60	95	47	35	50	85	115	13	16	4- $\phi 14$
050	2"	R2"	Rc2"	230	190	65	120	59	45	60	98	125	16	16	4- $\phi 14$
065	2-1/2"	R2-1/2"	Rc2-1/2"	256	211	75	152	72	60	75	110	140	19	18	4- $\phi 14$
080	3"	R3"	Rc3"	294	240	90	180	87	70	90	130	160	25	20	6- $\phi 14$

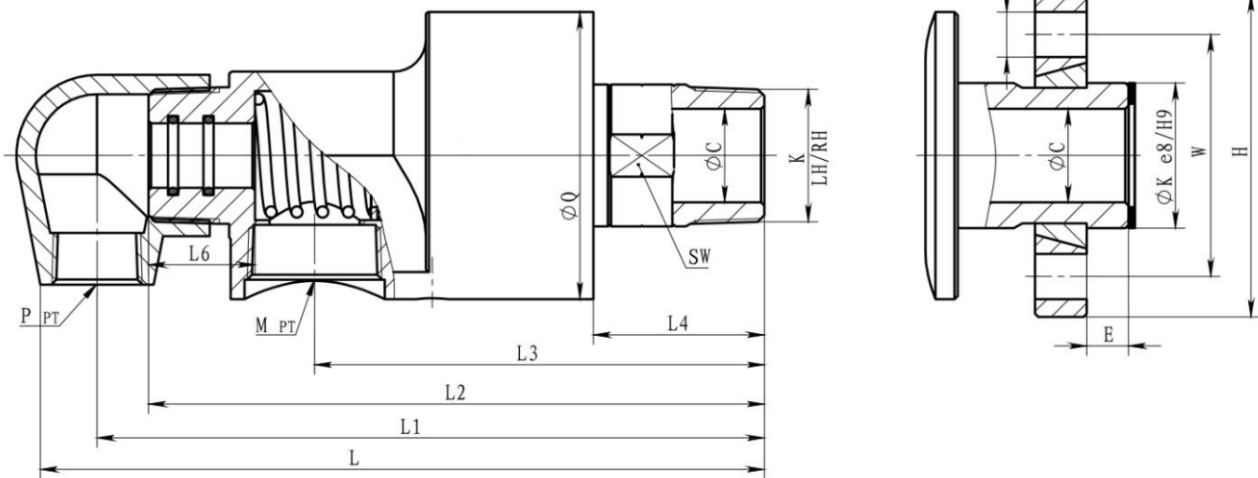
Note: With the difference of medium, caliber, pressure, rotating speed and temperature, the use limitation will also be different. Under special conditions, please contact Moflon Technology Co., Ltd. to determine the safety limitation.

KRXD Two-channel rotary joint (inner tube fixed)



Standard size		K	M	L	L3	L4	Q	SM	Flange rotor						
									C	K	W	H	E	J	n-X
010	3/8"	R3/8"	Rc3/8"	111	95	38	55	22	8	20	40	60	8	14	4-φ10
015	1/2"	R1/2"	Rc1/2"	111	95	38	55	22	12	25	50	70	8	14	4-φ10
020	3/4"	R3/4"	Rc3/4"	120	103	38	62	27	16	30	55	80	11	14	4-φ12
025	1"	R1"	Rc1"	138	115	48	72	32	22	35	65	90	11	14	4-φ12
032	1-1/4"	R1-1/4"	Rc1-1/4"	165	137	55	90	42	29	45	75	100	13	16	4-φ14
040	1-1/2"	R1-1/2"	Rc1-1/2"	185	153	60	95	47	35	50	85	115	13	16	4-φ14
050	2"	R2"	Rc2"	230	190	65	120	59	45	60	98	125	16	16	4-φ14
065	2-1/2"	R2-1/2"	Rc2-1/2"	256	211	75	152	72	60	75	110	140	19	18	4-φ14
080	3"	R3"	Rc3"	294	240	90	180	87	70	90	130	160	25	20	6-φ14

KRXR two-channel rotary joint (inner tube rotation)



Standard size		K	M	L	L3	L4	Q	SM	Flange rotor						
									C	K	W	H	E	J	n-X
010	3/8"	R3/8"	Rc3/8"	111	95	38	55	22	8	20	40	60	8	14	4-φ10
015	1/2"	R1/2"	Rc1/2"	111	95	38	55	22	12	25	50	70	8	14	4-φ10
020	3/4"	R3/4"	Rc3/4"	120	103	38	62	27	16	30	55	80	11	14	4-φ12
025	1"	R1"	Rc1"	138	115	48	72	32	22	35	65	90	11	14	4-φ12
032	1-1/4"	R1-1/4"	Rc1-1/4"	165	137	55	90	42	29	45	75	100	13	16	4-φ14
040	1-1/2"	R1-1/2"	Rc1-1/2"	185	153	60	95	47	35	50	85	115	13	16	4-φ14
050	2"	R2"	Rc2"	230	190	65	120	59	45	60	98	125	16	16	4-φ14
065	2-1/2"	R2-1/2"	Rc2-1/2"	256	211	75	152	72	60	75	110	140	19	18	4-φ14
080	3"	R3"	Rc3"	294	240	90	180	87	70	90	130	160	25	20	6-φ14

KBC Series Rotary Joints

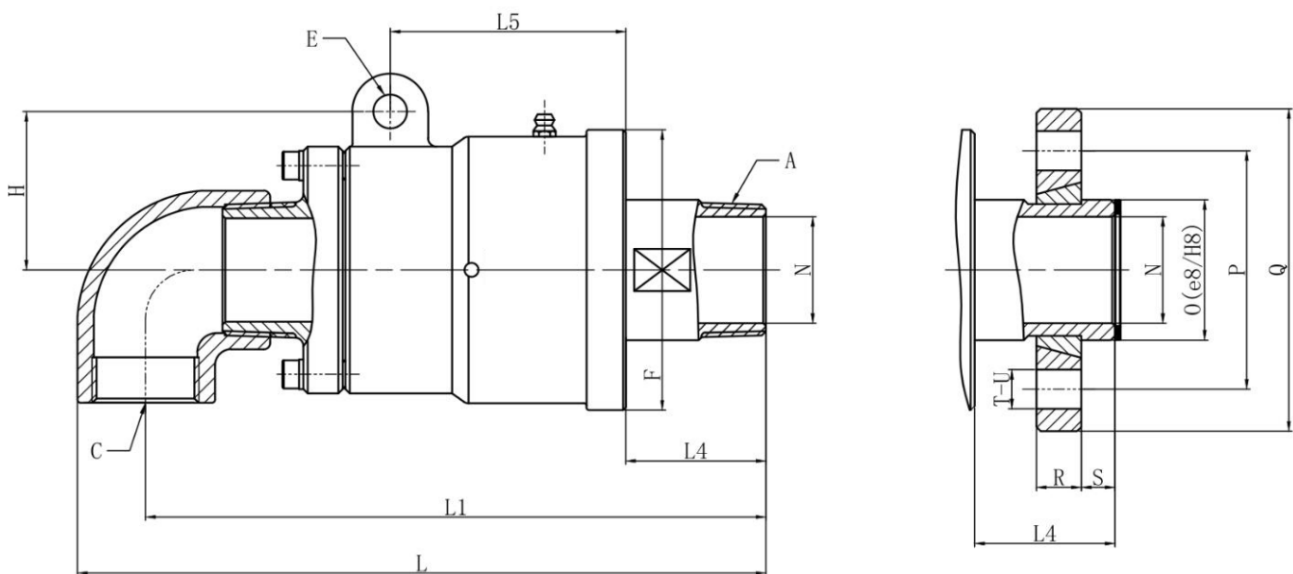


Applicable medium	Temperature	Max pressure	Max Rotary Speed
Water/Hot Water	90°C	1.1Mpa	2000RPM

Product Features

- ▲ Balanced seal design reduces the influence of pressure change load on the sealing surface and prolongs the service life;
- ▲ Combination of fine ceramic material and wear-resistant graphite sealing ring, with extremely excellent durability and performance;
- ▲ The split structure can be quickly repaired on site, because only the seal needs to be replaced, so the maintenance cost is greatly reduced.

KBC Series Single-Channel

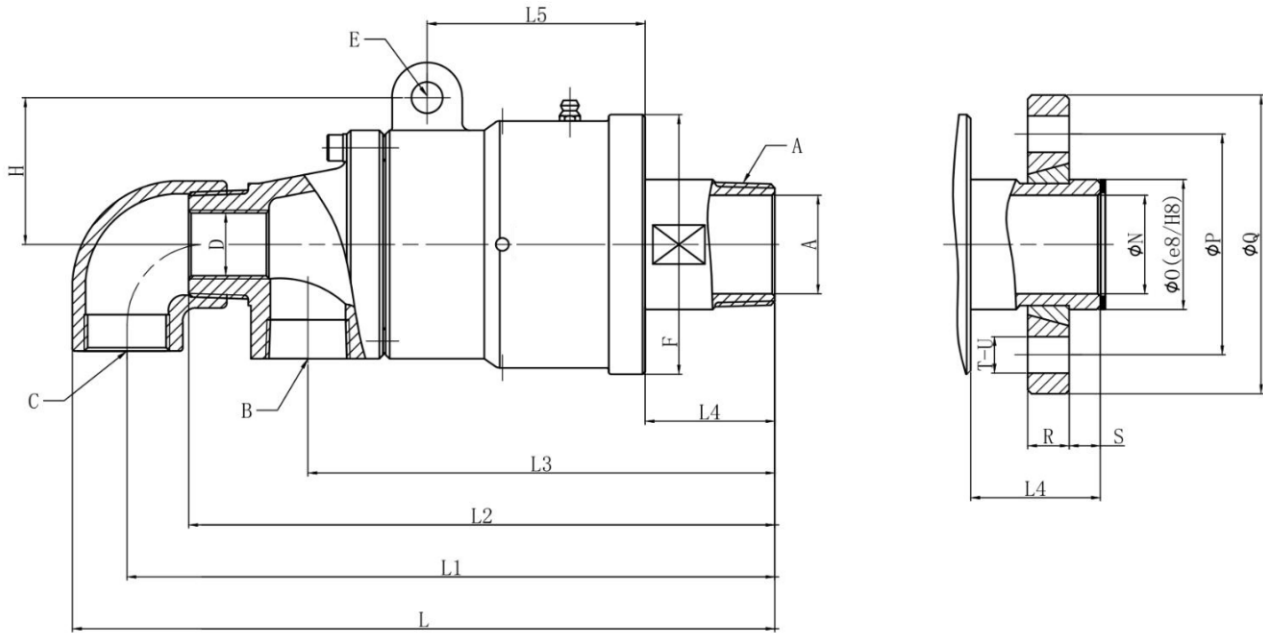


Single channel selection table

Standard size		A	B	E	L	L1	L4	L5	F	H	N	Flange rotor					
												O	P	Q	R	S	T-U
015	1/2"	R1/2"	Rc1/2"	8	166	154	30	58	57	34	13	Φ25	Φ50	Φ70	14	8	4-Φ10
020	3/4"	R3/4"	Rc3/4"	8	179	164	34	60	62	37	18	Φ30	Φ55	Φ80	14	10	4-Φ12
025	1"	R1"	Rc1"	10	200	182	40	62	70	43	23	Φ35	Φ65	Φ90	14	10	4-Φ12
032	1-1/4"	R1-1/4"	Rc1-1/4"	12	232	209	45	71	83	51	30	Φ45	Φ75	Φ100	16	12	4-Φ14
040	1-1/2"	R1-1/2"	Rc1-1/2"	12	246	221	48	75	90	55	38	Φ50	Φ85	Φ115	16	12	4-Φ14
050	2"	R2"	Rc2"	18	304	272	62	95	112	74	48	Φ60	Φ95	Φ125	16	16	4-Φ14

If you need mounting holes for temperature sensors or pressure sensors, please contact sales

Two channel (fixed inner tube)



Two channel (inner tube fixed) model selection table

Standard size	A	B	C	D	E	L	L1	L2	L3	L4	L5	H	F	N	Flange rotor						
															O	P	Q	R	S	T-U	
015	1/2"	R1/2"	Rc1/2"	Rc1/2"	G1/8"	8	187	174	157	124	30	58	34	57	13	φ25	φ50	φ70	14	8	4-φ10
020	3/4"	R3/4"	Rc1/2"	Rc1/2"	G1/4"	8	198	185	167	131	34	60	37	62	18	φ30	φ55	φ80	14	10	4-φ12
025	1"	R1"	Rc3/4"	Rc3/4"	G3/8"	10	220	207	187	145	40	62	43	70	23	φ35	φ65	φ90	14	10	4-φ12
032	1-1/4"	R1-1/4"	Rc1"	Rc1"	G1/2"	12	249	234	210	163	45	71	51	83	30	φ45	φ75	φ100	16	12	4-φ14
040	1-1/2"	R1-1/2"	Rc1"	Rc1"	G3/4"	12	263	245	219	170	48	75	55	90	38	φ50	φ85	φ115	16	12	4-φ14
050	2"	R2"	Rc1-1/4"	Rc1-1/4"	G1"	18	322	304	276	217	62	95	74	112	48	φ60	φ95	φv125	16	16	4-φ14
065	2-1/2"	R2-1/2"	Rc2"	Rc1-1/2"	G1-1/4"	20	375	349	312	246	75	107	83	127	58	φ75	φ110	φ140	18	18	4-φ14

The inner tube is prepared by the customer. To order an inner tube, please contact sales

KRX Series Rotary Joints



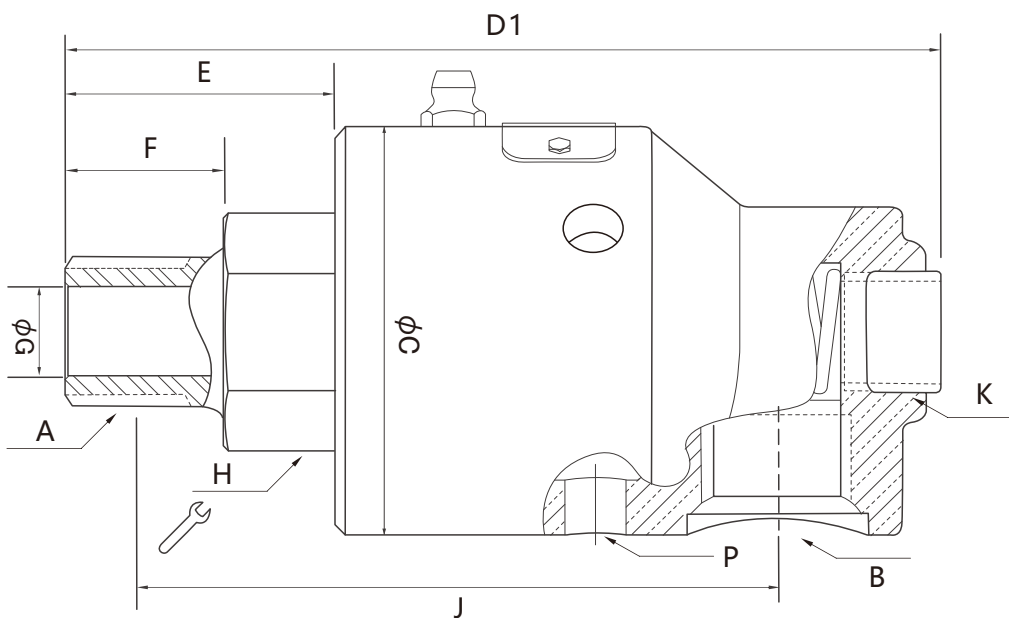
Applicable medium	Temperature	Max pressure	Max Rotary Speed
Cooling water	90°C	1.0Mpa	3500RPM
Hot water	120°C	1.0Mpa	1500RPM
Heat transfer oil	180°C	0.6Mpa	1000RPM

Note: With the change of medium/diameter/pressure/speed/temperature, its use limitation is also different. Use in special conditions, please contact with Moflon, the safety limitation has been determined

Product Features

- ▲ Supported by two precision imported deep groove ball bearings, rotation is stable;
- ▲ The brass shell and stainless steel outer tube are corrosion-resistant and can be used in complex working conditions for a long time;
- ▲ Combination of fine ceramic material and carbon sealing ring, with high speed and low torque performance;
- ▲ The balanced mechanical seal design structure reduces the impact of pressure change load on the sealing surface and prolongs the service life.

Single channel

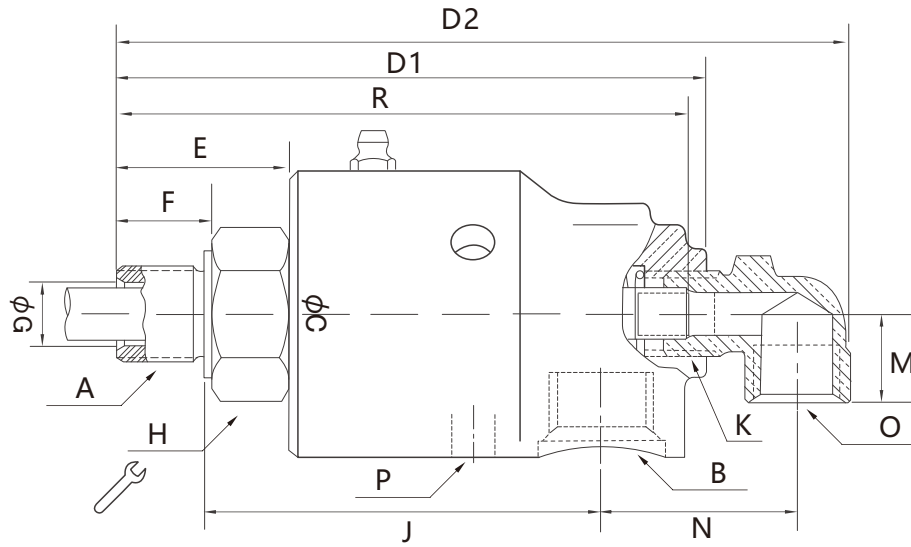


Single channel model selection table

DN	A	B	C	D1	E	F	G	H	J	K	P	KG
10	R3/8"	Rc3/8"	Φ45	100	26	16	Φ9.5	22	64	Rc1/4"	Φ8.6(3x120°)	0.6
15	R1/2"	Rc1/2"	Φ57	119	35	19	Φ12.7	30	79	Rc3/8"	Φ8.6(3x120°)	1.2
20	R3/4"	Rc3/4"	Φ73	136	34	19	Φ17.5	36	95	Rc1/2"	Φ8.6(3x120°)	2.1
25	R1"	Rc1"	Φ83	163	42	22	Φ25	36	108	Rc3/4"	Φ8.6(3x120°)	3.1
32	R1-1/4"	R1-1/4"	Φ91	189	54	28	Φ31.8	46	119	Rc1"	Φ8.6(3x120°)	4.1
40	R1-1/2"	Rc1-1/2"	Φ108	228	72	29	Φ38	55	149	Rc1-1/4"	Φ8.6(3x120°)	6.7
50	R2"	Rc2"	Φ118	248	65	29	Φ47.6	60	165	Rc1-1/4"	Φ8.6(3x120°)	7.6

Note: With the difference of medium, caliber, pressure, rotating speed and temperature, the use limitation will also be different. Under special conditions, please contact Moflon Technology Co., Ltd. to determine the safety limitation.

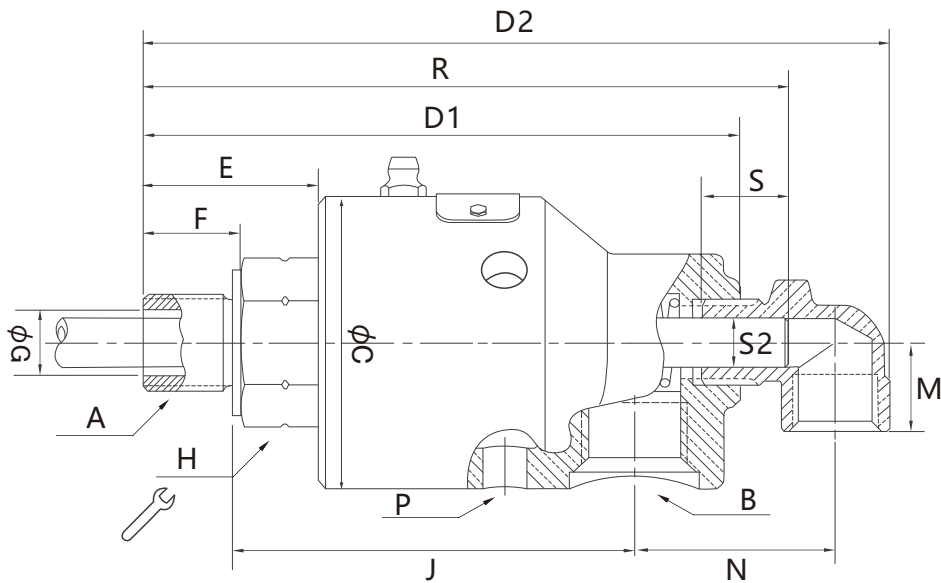
Two-channel (static inner tube)



Two-channel (static inner tube) Model selection table

DN	A	B	O	C	D1	D2	E	F	G	H	J	P	K	M	N	R
10	R3/8"	Rc3/8"	Rc1/4"	Φ45	100	124	26	16	Φ9.5	22	64	Φ8.6(3x120°)	Rc1/4"	18	36	99
15	R1/2"	Rc1/2"	Rc3/8"	Φ57	119	147	35	19	Φ12.7	30	79	Φ8.6(3x120°)	Rc3/8"	18	40	118
20	R3/4"	Rc3/4"	Rc1/2"	Φ73	136	171	34	19	Φ17.5	36	95	Φ8.6(3x120°)	Rc1/2"	26	46	137
25	R1"	Rc1"	Rc1/2"	Φ83	163	200	42	22	Φ25	36	108	Φ8.6(3x120°)	Rc3/4"	28	59	161
32	R1-1/4"	Rc1-1/4"	Rc3/4"	Φ91	189	234	54	28	Φ31.8	46	119	Φ8.6(3x120°)	Rc1"	35	72	186
40	R1-1/2"	Rc1-1/2"	Rc3/4"	Φ108	228	270	72	29	Φ38	55	149	Φ8.6(3x120°)	Rc1-1/4"	38	76	223
50	R2"	Rc2"	Rc1-1/4"	Φ118	248	312	65	29	Φ47.6	60	165	Φ8.6(3x120°)	Rc1-1/4"	45	96	252

Two-channel (rotary inner tube)



Two-channel (static inner tube) model selection table

DN	A	B	O	C	D1	D2	E	F	G	H	J	P	K	M	N	R	S2
10	R3/8"	Rc3/8"	Rc1/4"	Φ45	100	124	26	16	Φ9.5	22	64	Φ8.6(3x120°)	Rc1/4"	18	36	103	5.8
15	R1/2"	Rc1/2"	Rc3/8"	Φ57	119	147	35	19	Φ12.7	30	79	Φ8.6(3x120°)	Rc3/8"	18	40	124	9.8
20	R3/4"	Rc3/4"	Rc1/2"	Φ73	136	171	34	19	Φ17.5	36	95	Φ8.6(3x120°)	Rc1/2"	26	46	143	12.8
25	R1"	Rc1"	Rc1/2"	Φ83	163	200	42	22	Φ25	36	108	Φ8.6(3x120°)	Rc3/4"	28	59	171	15.8
32	R1-1/4"	Rc1-1/4"	Rc3/4"	Φ91	189	234	54	28	Φ31.8	46	119	Φ8.6(3x120°)	Rc1"	35	72	196	21.8
40	R1-1/2"	Rc1-1/2"	Rc3/4"	Φ108	228	270	72	29	Φ38	55	149	Φ8.6(3x120°)	Rc1-1/4"	38	76	238	25.8
50	R2"	Rc2"	Rc1-1/4"	Φ118	248	312	65	29	Φ47.6	60	165	Φ8.6(3x120°)	Rc1-1/4"	45	96	253	31.8

KBE Series Rotary joints

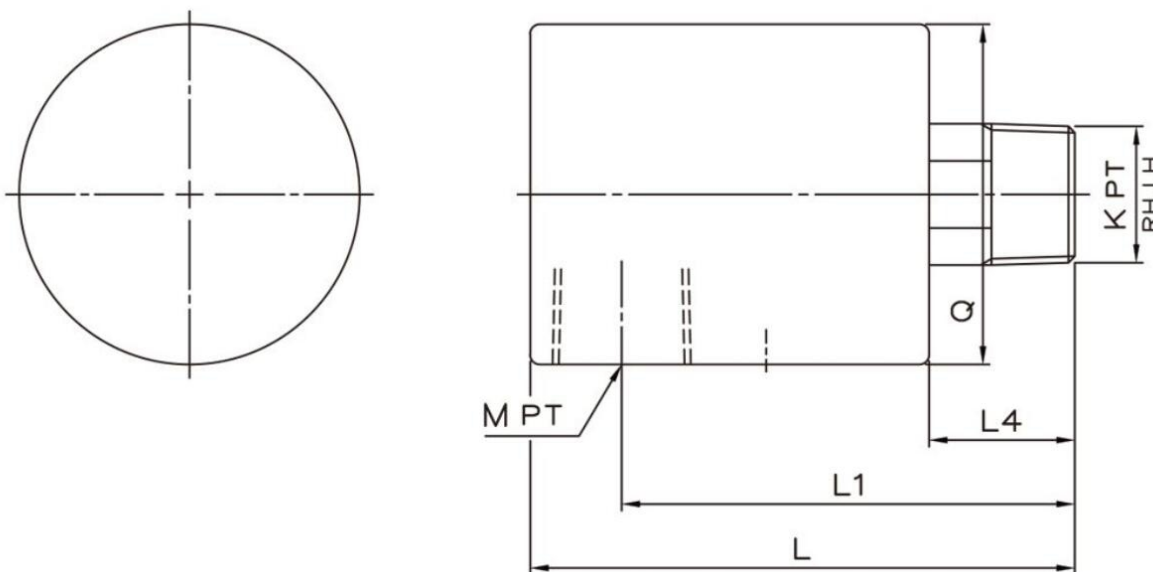


Applicable medium	Temperature	Max pressure	Max Rotary Speed
Water	-30~80°C	1.0Mpa	3000RPM
Air			
Coolant			

Product Features

- ▲ Balanced mechanical air seal design, using stainless steel springs to compensate for wear and tear, longer life cycle;
- ▲ The sealing material is a wear-resistant tungsten carbide material imported from Germany to ensure high quality and high pressure resistance;
- ▲ Double bearings, using imported bearings to ensure that the deflection and clearance are in the ideal range at high speeds;
- ▲ The stainless steel shaft is heat-treated and ground to ensure rigidity without deformation for a long time and no eccentric force;
- ▲ A pair of friction pairs are processed by mirror grinding to ensure long life and high pressure resistance.

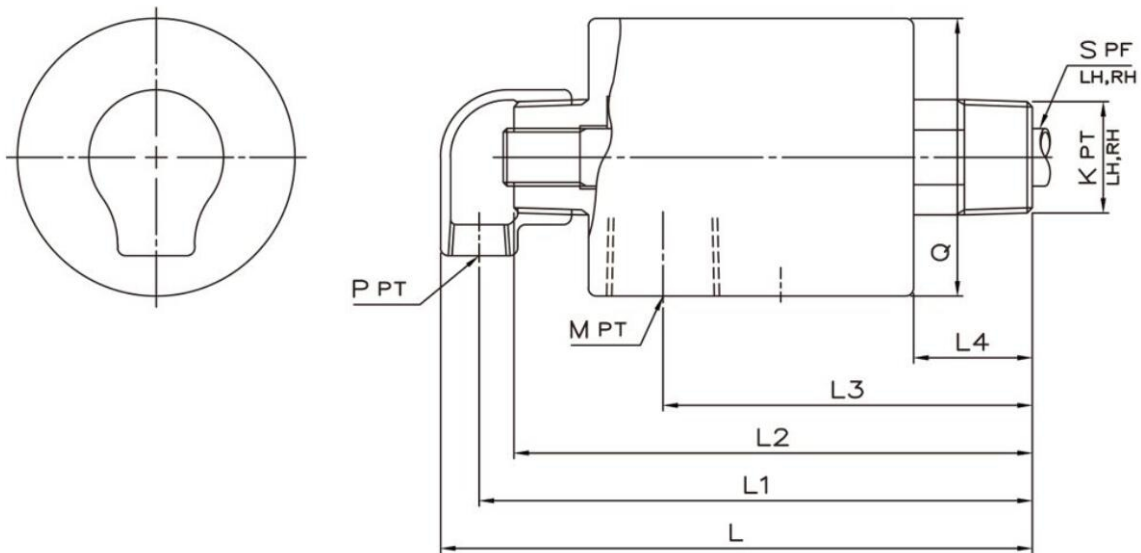
Single Channel



Single Channel Model selection table

Standard Size		K	M	L	L1	L4	Q
10A	3/8"	3/8"	3/8"	102	87	27	45
15A	1/2"	1/2"	1/2"	116	100	30	57
20A	3/4"	3/4"	3/4"	134.5	114	33	67
25A	1"	1"	1"	150	125	36	74
32A	1.1/4"	1.1/4"	1.1/4"	167	140	39	88
40A	1.1/2"	1.1/2"	1.1/2"	182	148	42	93

Two-Channel



Two-Channel Model Selection table

Standard Size		K	M	P	S	L	L1	L2	L3	L4	Q
10A	3/8"(B)	3/8"	1/4"	1/4"	7	136	126	115	86	27	45
15A	1/2"(B)	1/2"	3/8"	3/8"	1/8"	157	145.5	131	100	30	57
20A	3/4"(B)	3/4"	1/2"	1/2"	1/4"	179	165	148	112	33	67
25A	1"(B)	1"	1/2"	1/2"	3/8"	192	178	157	120	36	74
32A	1.1/4"	1.1/4"	3/4"	3/4"	1/2"	216	199	175	132	39	88
40A	1.1/2"(B)	1.1/2"	1"	1"	3/4"	235	214	189	140	42	93

KCH Series Rotary Joints

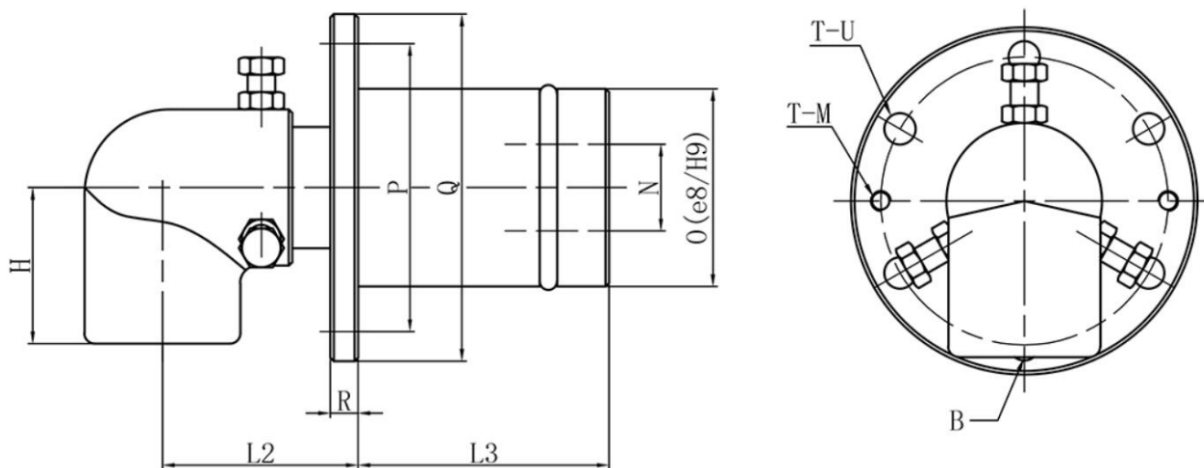
Applicable medium	Temperature	Max pressure	Max Rotary Speed
Water	120°C	1.1Mpa	100RPM



Product Features

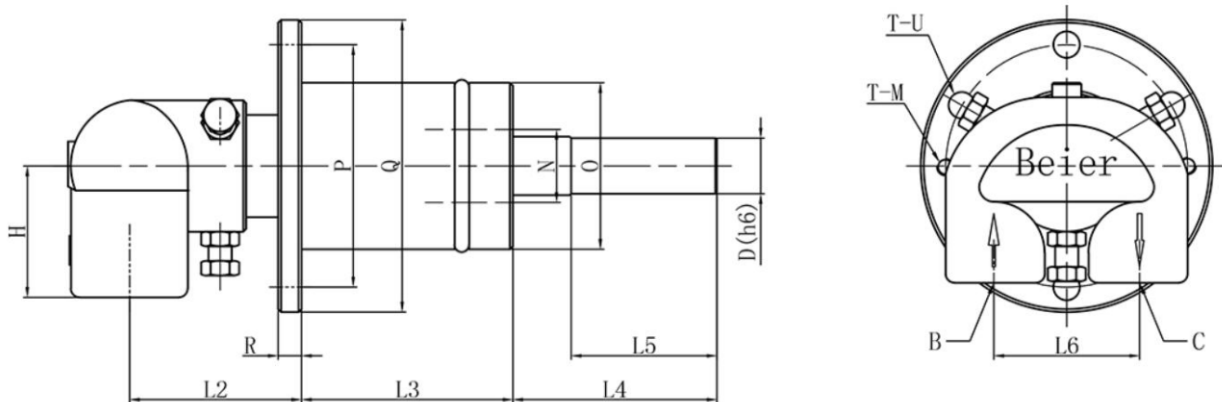
- ▲ Balanced sealing structure, long life cycle;
- ▲ Maintenance-free design, no lubricating oil required;
- ▲ Silicon carbide sealing ring structure, can adapt to harsh environment;
- ▲ Corrosion-resistant materials, can be used in water environment for a long time;
- ▲ Special structure for continuous casting machine cooling roll, heat radiation resistant.

Single Channel



Model	B	H	N	O	P	Q	R	L2	L3	T-U	T-M
KCHM020F	3/4"	45	Φ20	Φ46	Φ72	Φ90	6.5	48.5	58.5	6-Φ7	2-M6
KCHM025F	1"	50	Φ25	Φ59	Φ83	Φ108	10	61.5	70	6-Φ7	2-M6
KCHM040F	1-1/2"	50	Φ38	Φ71	Φ98	Φ125	10	70	70	6-Φ7	2-M6

Two-Channel



Two-Channel Model Selection table

Model	B	C	D	H	N	O	P	Q	R	L2	L3	L4	L5	L6	T-U	T-M
KCHM020F	1/2"	1/2"	13	41	Φ20	Φ46	Φ72	Φ90	6.5	48.5	58.5	31.5	30	50	6-Φ7	2-M6
KCHM025F	3/4"	3/4"	19	41	Φ25	Φ59	Φ83	Φ108	10	59	71.5	45	30	50	6-Φ7	2-M6
KCHM040F	1"	1"	29	43	Φ38	Φ71	Φ98	Φ125	10	74	73.5	60	30	64	6-Φ7	2-M6

KCI Series Rotary Joints

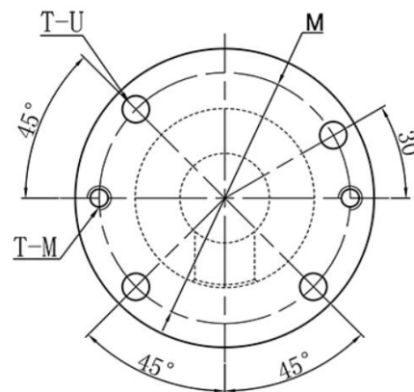
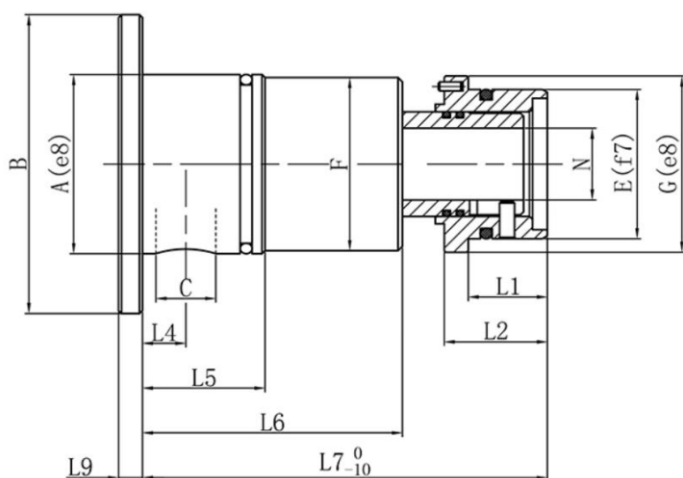
Applicable medium	Temperature	Max pressure	Max Rotary Speed
Water	90°C	1.1Mpa	100RPM



Product Features

- ▲ Balanced sealing structure;
- ▲ Built-in bearing cover to protect the rotary joint;
- ▲ There is no need for metal hoses, which reduces eccentric loads;
- ▲ The water flow resistance is small, the flow area is large, and the cooling efficiency is high;
- ▲ Floating structure, can withstand ±0.5mm shaft head beating;
- ▲ Larger 10mm axial compensation, suitable for thermally expanding rollers

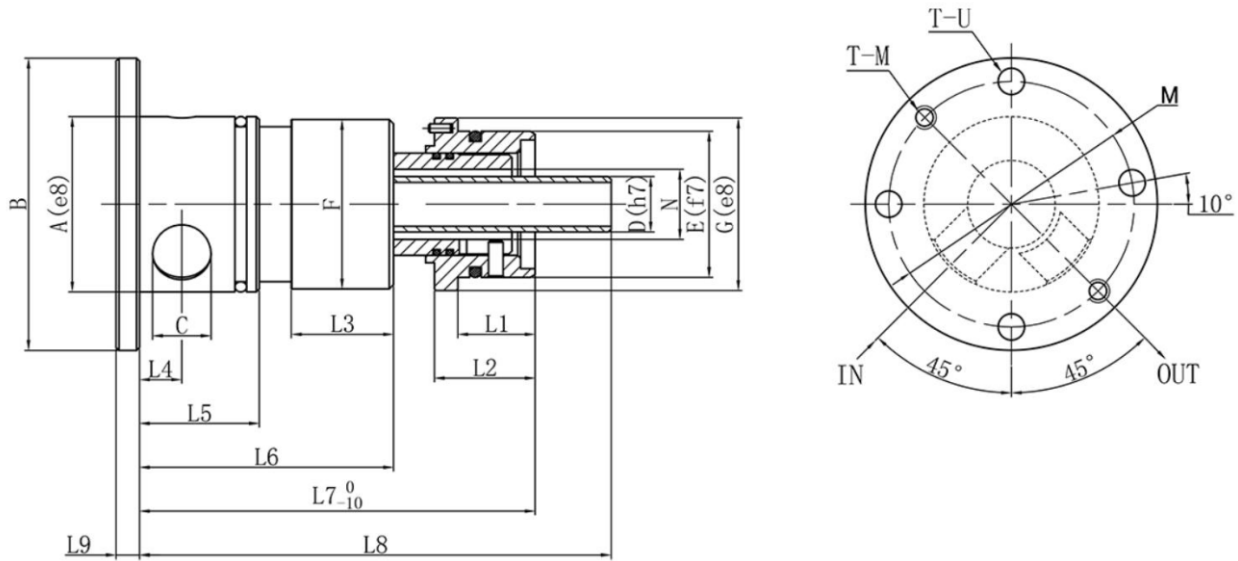
Single Channel



Single Channel Model selection table

Model	A	B	C	D	E	F	G	M	N	T-U	T-M	L1	L2	L3	L4	L5	L6	L7	L8	L9
KCI601	Φ60	Φ100	Φ20	19	Φ59	Φ57	Φ59	Φ84	Φ24	4-Φ9	2-M8	/	37.5	35	15	41	87	135.5	161.5	8
KCI602	Φ60	Φ100	Φ20	19	Φ50	Φ57	Φ50	Φ84	Φ24	4-Φ9	2-M8	26.5	34.5	35	15	41	87	135.5	161.5	8

Two-Channel



Two-Channel Model Selection table

Model	A	B	C	D	E	F	G	M	N	T-U	T-M	L1	L2	L3	L4	L5	L6	L7	L8	L9
KCIS601	Φ60	Φ100	Φ20	19	Φ59	Φ57	Φ59	Φ84	Φ24	4-Φ9	2-M8	/	37.5	35	15	41	87	135.5	161.5	8
KCIS602	Φ60	Φ100	Φ20	19	Φ50	Φ57	Φ50	Φ84	Φ24	4-Φ9	2-M8	26.5	34.5	35	15	41	87	135.5	161.5	8

HOT WATER SERIES



KRXB Series Rotary joints

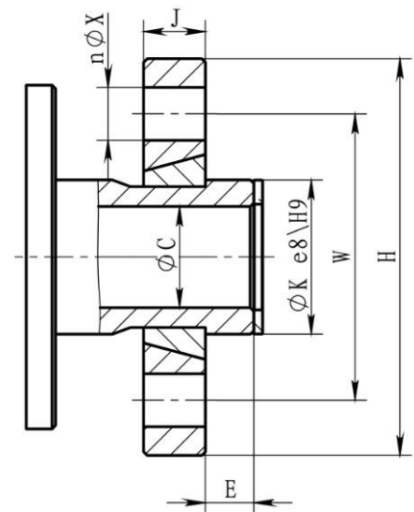
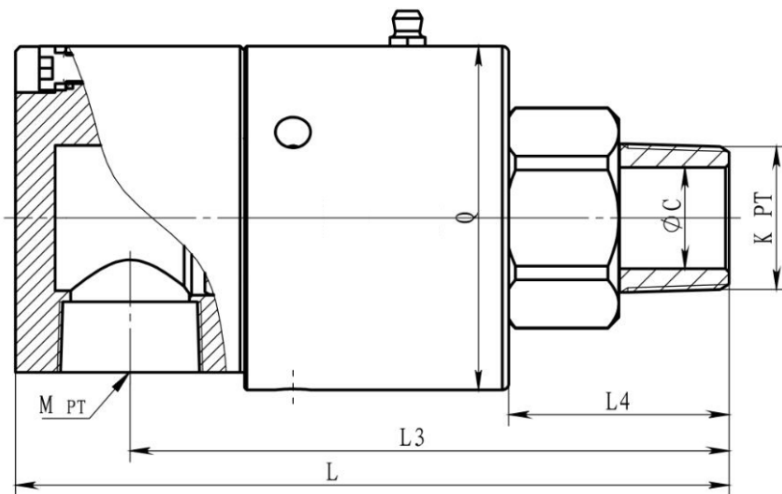


Applicable medium	Temperature	Max pressure	Max Rotary Speed
Water	90°C	1.1Mpa	2500RPM
hot oil	180°C	1.1Mpa	2500RPM

Product Features

- ▲ Balanced mechanical dynamic seal, long life cycle;
- ▲ The spring is not in contact with the medium, which improves reliability and increases the flow area;
- ▲ Stainless steel shell and rotor, corrosion-resistant;
- ▲ The shell adopts a split structure, and the seal can be replaced online, reducing downtime and maintenance costs;
- ▲ The O-ring moves with the sealing ring as a whole, the design is reliable, and the O-ring has no possibility of slack and slipping out;
- ▲ Silicon carbide dynamic seal, enhanced toughness and impact resistance;
- ▲ The matching sealing surface, the selected material meets the specific working conditions.

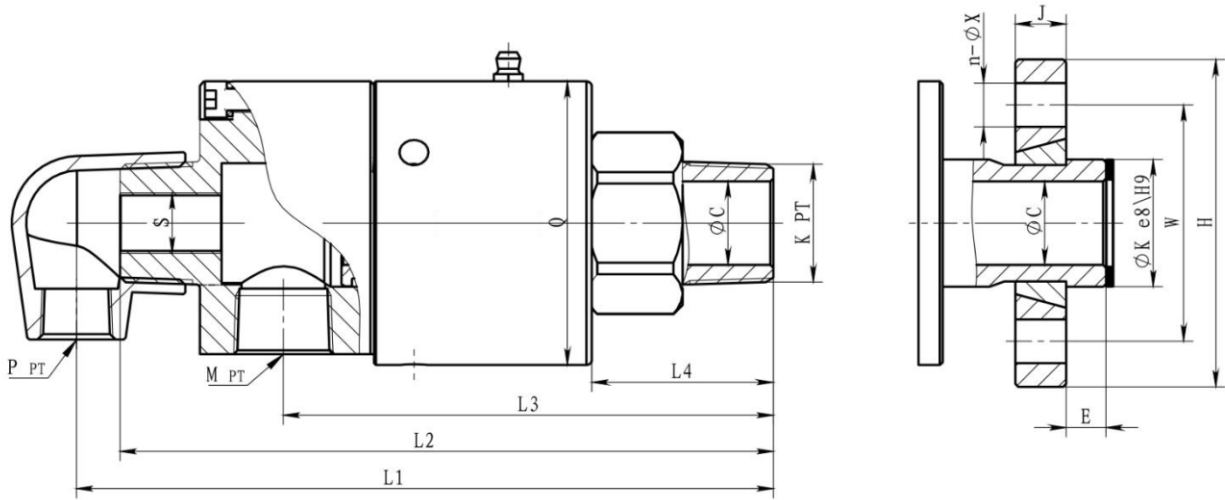
KRXBM Single Channel Rotary Joint



Size	K	M	P	S	L1	L2	L3	L4	L6	Q	Flange rotor							
											ΦC	E	ΦK	W	H	J	-ΦX	
015	1/2"	R1/2"	Rc1/2"	Rc1/2"	G1/8"	155	140	108	35	20	59	13	8	23	55	80	14	4-Φ10
020	3/4"	R3/4"	Rc1/2"	Rc1/2"	G1/4"	175	165	125	40	25	74	16	11	26	55	80	14	4-Φ12
025	1"	R1"	Rc3/4"	Rc1/2"	G3/8"	195	180	132	44	30	78	23	11	35	65	90	14	4-Φ12
032	1-1/4"	R1-1/4"	Rc3/4"	Rc3/4"	G1/2"	235	215	160	54	30	98	30	13	45	75	100	16	4-Φ14
040	1-1/2"	R1.1/2"	Rc1"	Rc3/4"	G3/4"	260	240	172	58	35	105	36	13	50	85	115	16	4-Φ14
050	2"	R2"	Rc1"	Rc1"	G1"	290	265	195	65	35	115	45	16	60	95	125	16	4-Φ14

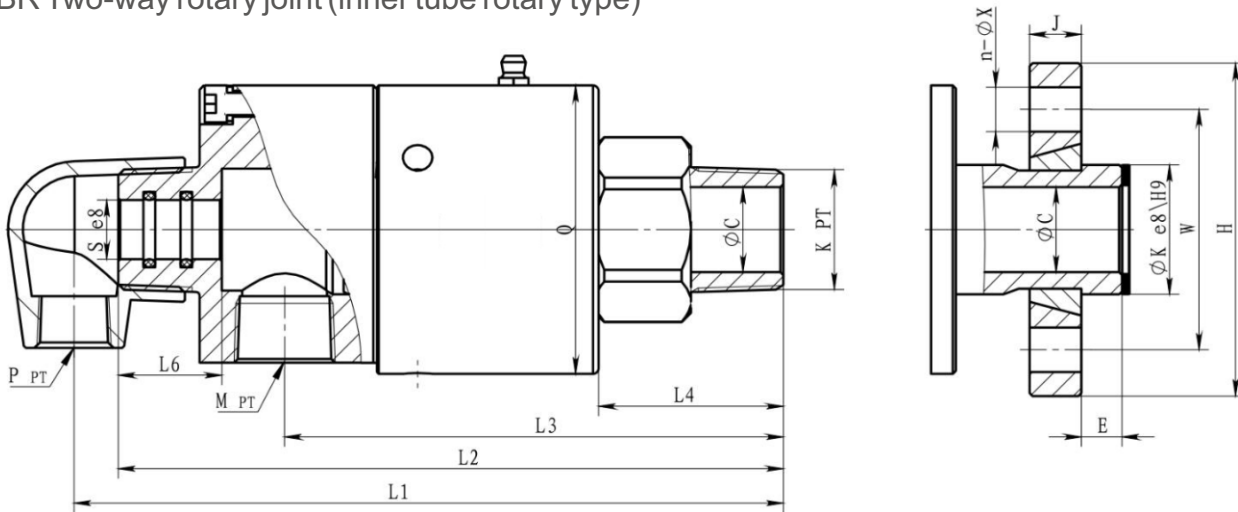
Note: With the difference of medium, caliber, pressure, rotating speed and temperature, the use limitation will also be different. Under special conditions, please contact Moflon Technology Co., Ltd. to determine the safety limitation.

KRXBD Two-way rotary joint (inner tube fixed type)



Size	K	M	P	S	L1	L2	L3	L4	L6	Q	Flange rotor							
											φC	E	φK	W	H	J	-φX	
015	1/2"	R1/2"	Rc1/2"	Rc1/2"	G1/8"	155	140	108	35	20	59	13	8	23	55	80	14	4-φ10
020	3/4"	R3/4"	Rc1/2"	Rc1/2"	G1/4"	175	165	125	40	25	74	16	11	26	55	80	14	4-φ12
025	1"	R1"	Rc3/4"	Rc1/2"	G3/8"	195	180	132	44	30	78	23	11	35	65	90	14	4-φ12
032	1-1/4"	R1-1/4"	Rc3/4"	Rc3/4"	G1/2"	235	215	160	54	30	98	30	13	45	75	100	16	4-φ14
040	1-1/2"	R1.1/2"	Rc1"	Rc3/4"	G3/4"	260	240	172	58	35	105	36	13	50	85	115	16	4-φ14
050	2"	R2"	Rc1"	Rc1"	G1"	290	265	195	65	35	115	45	16	60	95	125	16	4-φ14

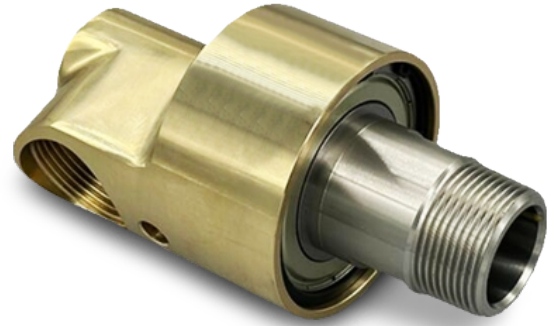
KRXBR Two-way rotary joint (inner tube rotary type)



Size	K	M	P	S	L1	L2	L3	L4	L6	Q	Flange rotor							
											φC	E	φK	W	H	J	-φX	
015	1/2"	R1/2"	Rc1/2"	Rc1/2"	φ10	155	140	108	35	20	59	13	8	23	55	80	14	4-φ10
020	3/4"	R3/4"	Rc1/2"	Rc1/2"	φ12	175	165	125	40	25	74	16	11	26	55	80	14	4-φ12
025	1"	R1"	Rc3/4"	Rc1/2"	φ16	195	180	132	44	30	78	23	11	35	65	90	14	4-φ12
032	1-1/4"	R1-1/4"	Rc3/4"	Rc3/4"	φ20	235	215	160	54	30	98	30	13	45	75	100	16	4-φ14
040	1-1/2"	R1.1/2"	Rc1"	Rc3/4"	φ25	260	240	172	58	35	105	36	13	50	85	115	16	4-φ14
050	2"	R2"	Rc1"	Rc1"	φ32	290	265	195	65	35	115	45	16	60	95	125	16	4-φ14

KRX Series Rotary Joints

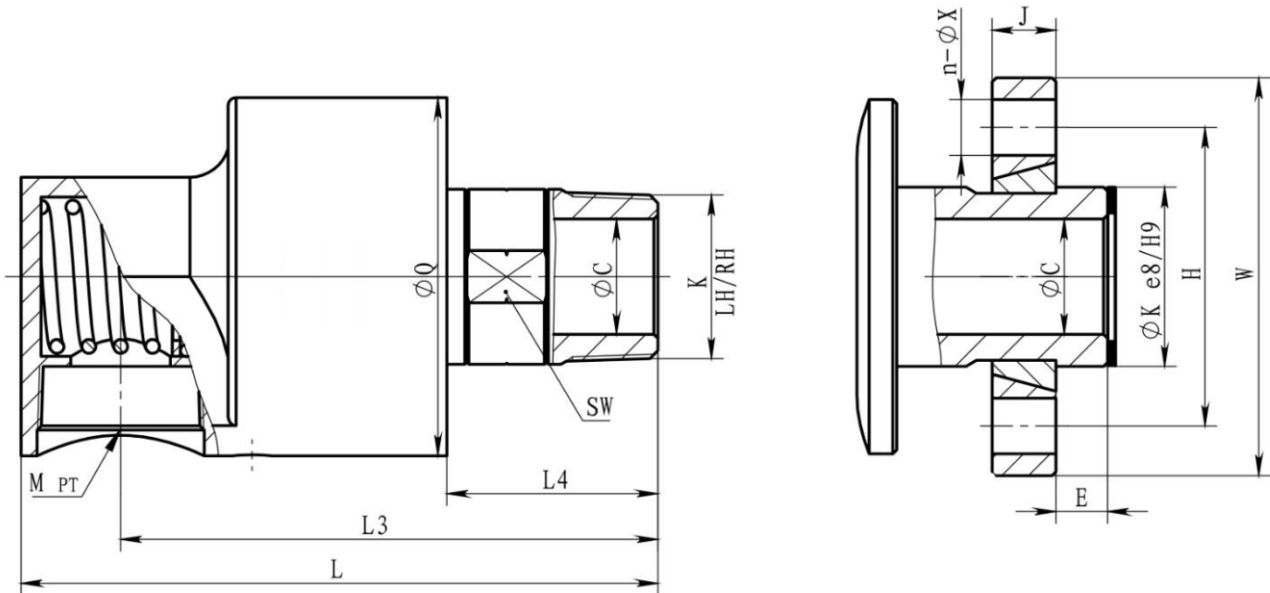
Applicable medium	Temperature	Max pressure	Max Rotary Speed
Water	90°C	1.1Mpa	1500RPM



Product Features

- ▲ Brass shell, corrosion-resistant stainless steel rotor;
- ▲ The combination of fine ceramic material and carbon sealing ring has high speed and low torque performance;
- ▲ Enclosed bearings are used, and lubrication is carried out during the service life, and no maintenance is required except for regular inspections and no leakage caused by wear of the rotary joint.

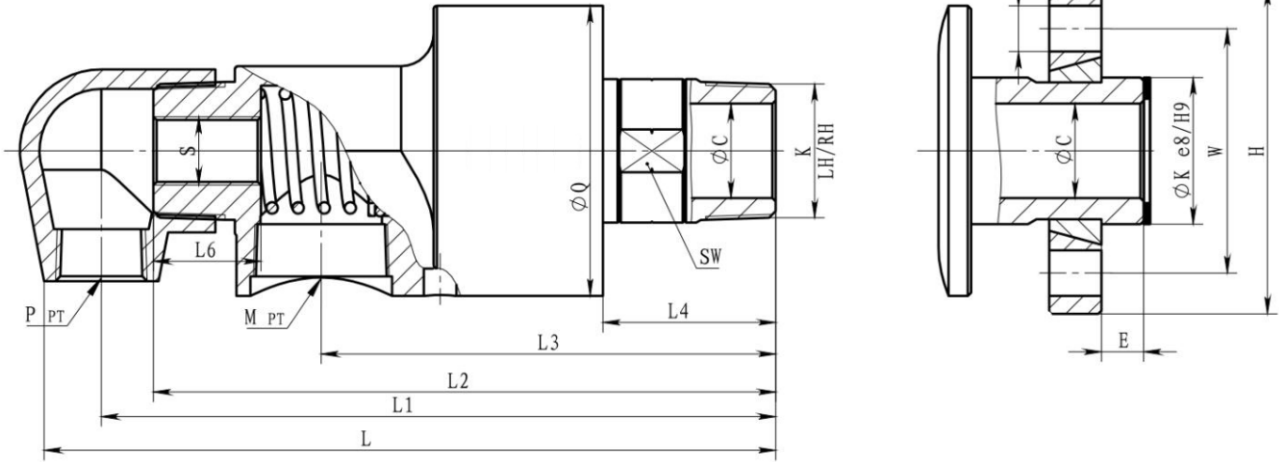
KRXM Single-channel rotary joint



Standard size		K	M	L	L3	L4	Q	SM	Flange rotor						
									C	K	W	H	E	J	n-X
010	3/8"	R3/8"	Rc3/8"	111	95	38	55	22	8	20	40	60	8	14	4-Φ10
015	1/2"	R1/2"	Rc1/2"	111	95	38	55	22	12	25	50	70	8	14	4-Φ10
020	3/4"	R3/4"	Rc3/4"	120	103	38	62	27	16	30	55	80	11	14	4-Φ12
025	1"	R1"	Rc1"	138	115	48	72	32	22	35	65	90	11	14	4-Φ12
032	1-1/4"	R1-1/4"	Rc1-1/4"	165	137	55	90	42	29	45	75	100	13	16	4-Φ14
040	1-1/2"	R1-1/2"	Rc1-1/2"	185	153	60	95	47	35	50	85	115	13	16	4-Φ14
050	2"	R2"	Rc2"	230	190	65	120	59	45	60	98	125	16	16	4-Φ14
065	2-1/2"	R2-1/2"	Rc2-1/2"	256	211	75	152	72	60	75	110	140	19	18	4-Φ14
080	3"	R3"	Rc3"	294	240	90	180	87	70	90	130	160	25	20	6-Φ14

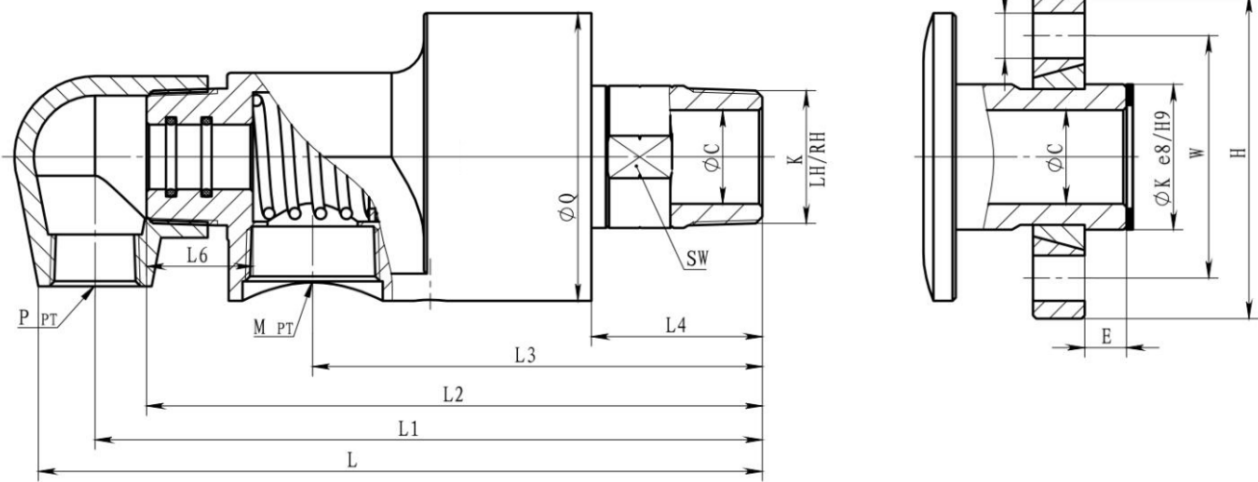
Note: With the difference of medium, caliber, pressure, rotating speed and temperature, the use limitation will also be different. Under special conditions, please contact Moflon Technology Co., Ltd. to determine the safety limitation.

KRXD Two-channel rotary joint (inner tube fixed)



Standard size		K	M	L	L3	L4	Q	SM	Flange rotor						
									C	K	W	H	E	J	n-X
010	3/8"	R3/8"	Rc3/8"	111	95	38	55	22	8	20	40	60	8	14	4-Φ10
015	1/2"	R1/2"	Rc1/2"	111	95	38	55	22	12	25	50	70	8	14	4-Φ10
020	3/4"	R3/4"	Rc3/4"	120	103	38	62	27	16	30	55	80	11	14	4-Φ12
025	1"	R1"	Rc1"	138	115	48	72	32	22	35	65	90	11	14	4-Φ12
032	1-1/4"	R1-1/4"	Rc1-1/4"	165	137	55	90	42	29	45	75	100	13	16	4-Φ14
040	1-1/2"	R1-1/2"	Rc1-1/2"	185	153	60	95	47	35	50	85	115	13	16	4-Φ14
050	2"	R2"	Rc2"	230	190	65	120	59	45	60	98	125	16	16	4-Φ14
065	2-1/2"	R2-1/2"	Rc2-1/2"	256	211	75	152	72	60	75	110	140	19	18	4-Φ14
080	3"	R3"	Rc3"	294	240	90	180	87	70	90	130	160	25	20	6-Φ14

KR XR two-channel rotary joint (inner tube rotation)



Standard size		K	M	L	L3	L4	Q	SM	Flange rotor						
									C	K	W	H	E	J	n-X
010	3/8"	R3/8"	Rc3/8"	111	95	38	55	22	8	20	40	60	8	14	4-Φ10
015	1/2"	R1/2"	Rc1/2"	111	95	38	55	22	12	25	50	70	8	14	4-Φ10
020	3/4"	R3/4"	Rc3/4"	120	103	38	62	27	16	30	55	80	11	14	4-Φ12
025	1"	R1"	Rc1"	138	115	48	72	32	22	35	65	90	11	14	4-Φ12
032	1-1/4"	R1-1/4"	Rc1-1/4"	165	137	55	90	42	29	45	75	100	13	16	4-Φ14
040	1-1/2"	R1-1/2"	Rc1-1/2"	185	153	60	95	47	35	50	85	115	13	16	4-Φ14
050	2"	R2"	Rc2"	230	190	65	120	59	45	60	98	125	16	16	4-Φ14
065	2-1/2"	R2-1/2"	Rc2-1/2"	256	211	75	152	72	60	75	110	140	19	18	4-Φ14
080	3"	R3"	Rc3"	294	240	90	180	87	70	90	130	160	25	20	6-Φ14

KBC Series Rotary Joints

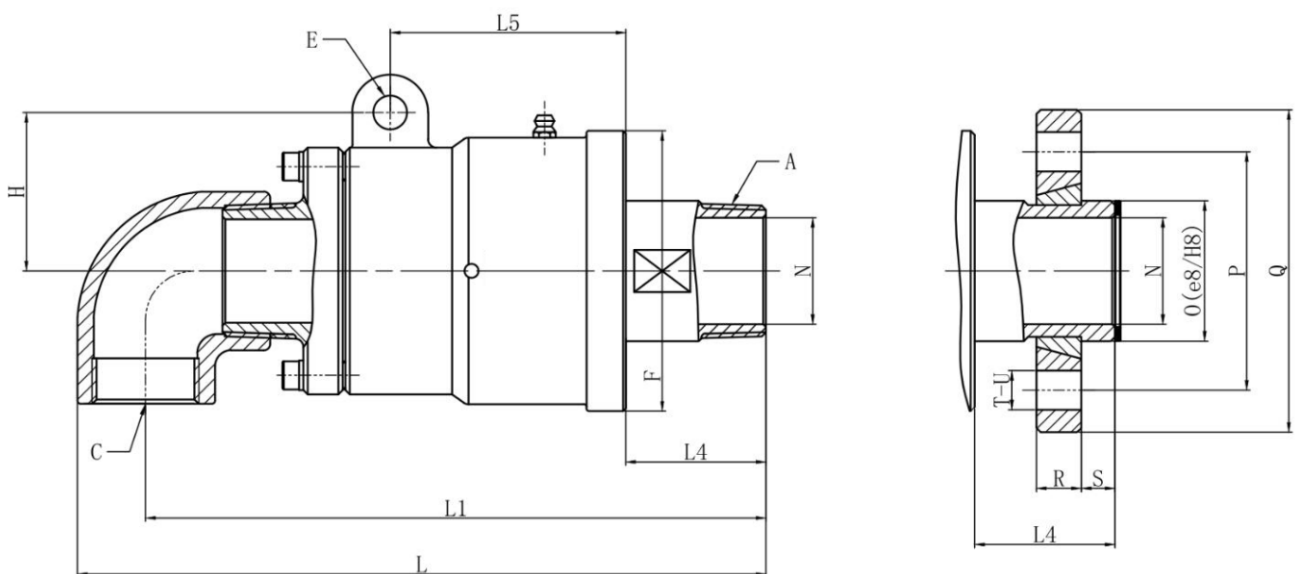


Applicable medium	Temperature	Max pressure	Max Rotary Speed
Water/Hot Water	90°C	1.1Mpa	2000RPM

Product Features

- ▲ Balanced seal design reduces the influence of pressure change load on the sealing surface and prolongs the service life;
- ▲ Combination of fine ceramic material and wear-resistant graphite sealing ring, with extremely excellent durability and performance;
- ▲ The split structure can be quickly repaired on site, because only the seal needs to be replaced, so the maintenance cost is greatly reduced.

KBC Series Single-Channel

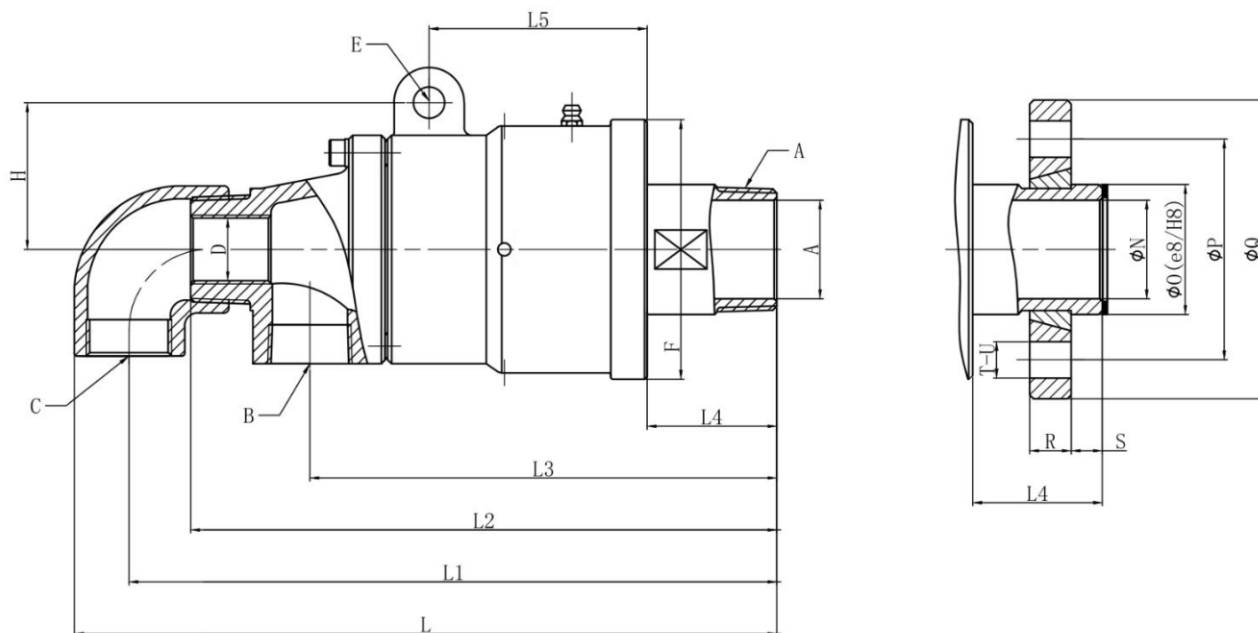


Single channel selection table

Standard size	A	B	E	L	L1	L4	L5	F	H	N	Flange rotor						
											O	P	Q	R	S	T-U	
015	1/2"	R1/2"	Rc1/2"	8	166	154	30	58	57	34	13	Φ25	Φ50	Φ70	14	8	4-Φ10
020	3/4"	R3/4"	Rc3/4"	8	179	164	34	60	62	37	18	Φ30	Φ55	Φ80	14	10	4-Φ12
025	1"	R1"	Rc1"	10	200	182	40	62	70	43	23	Φ35	Φ65	Φ90	14	10	4-Φ12
032	1-1/4"	R1-1/4"	Rc1-1/4"	12	232	209	45	71	83	51	30	Φ45	Φ75	Φ100	16	12	4-Φ14
040	1-1/2"	R1-1/2"	Rc1-1/2"	12	246	221	48	75	90	55	38	Φ50	Φ85	Φ115	16	12	4-Φ14
050	2"	R2"	Rc2"	18	304	272	62	95	112	74	48	Φ60	Φ95	Φ125	16	16	4-Φ14

If you need mounting holes for temperature sensors or pressure sensors, please contact sales

Two channel (fixed inner tube)



Two channel (inner tube fixed) model selection table

Standard size		A	B	C	D	E	L	L1	L2	L3	L4	L5	H	F	N	Flange rotor					
																O	P	Q	R	S	T-U
015	1/2"	R1/2"	Rc1/2"	Rc1/2"	G1/8"	8	187	174	157	124	30	58	34	57	13	Φ25	Φ50	Φ70	14	8	4-Φ10
020	3/4"	R3/4"	Rc1/2"	Rc1/2"	G1/4"	8	198	185	167	131	34	60	37	62	18	Φ30	Φ55	Φ80	14	10	4-Φ12
025	1"	R1"	Rc3/4"	Rc3/4"	G3/8"	10	220	207	187	145	40	62	43	70	23	Φ35	Φ65	Φ90	14	10	4-Φ12
032	1-1/4"	R1-1/4"	Rc1"	Rc1"	G1/2"	12	249	234	210	163	45	71	51	83	30	Φ45	Φ75	Φ100	16	12	4-Φ14
040	1-1/2"	R1-1/2"	Rc1"	Rc1"	G3/4"	12	263	245	219	170	48	75	55	90	38	Φ50	Φ85	Φ115	16	12	4-Φ14
050	2"	R2"	Rc1-1/4"	Rc1-1/4"	G1"	18	322	304	276	217	62	95	74	112	48	Φ60	Φ95	Φ125	16	16	4-Φ14
065	2-1/2"	R2-1/2"	Rc2"	Rc1-1/2"	G1-1/4"	20	375	349	312	246	75	107	83	127	58	Φ75	Φ110	Φ140	18	18	4-Φ14

The inner tube is prepared by the customer. To order an inner tube, please contact sales

KRXE Series Rotary Joints



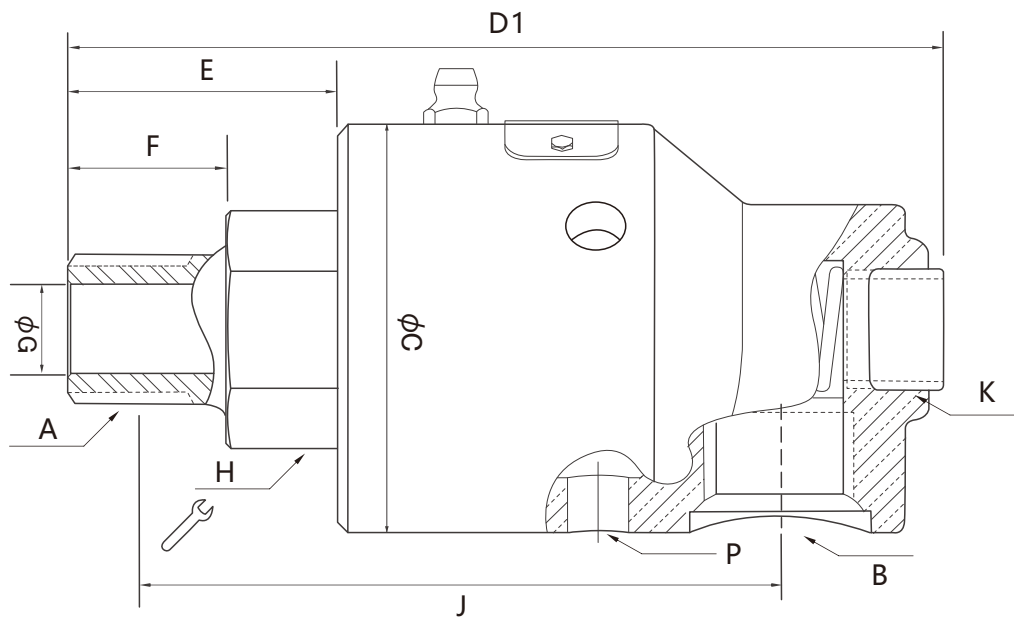
Applicable medium	Temperature	Max pressure	Max Rotary Speed
Cooling water	90°C	1.0Mpa	3500RPM
Hot water	120°C	1.0Mpa	1500RPM
Heat transfer oil	180°C	0.6Mpa	1000RPM

Note: With the change of medium/diameter/pressure/speed/temperature, its use limitation is also different. Use in special conditions, please contact with Moflon, the safety limitation has been determined

Product Features

- ▲ Supported by two precision imported deep groove ball bearings, rotation is stable;
- ▲ The brass shell and stainless steel outer tube are corrosion-resistant and can be used in complex working conditions for a long time;
- ▲ Combination of fine ceramic material and carbon sealing ring, with high speed and low torque performance;
- ▲ The balanced mechanical seal design structure reduces the impact of pressure change load on the sealing surface and prolongs the service life.

Single channel

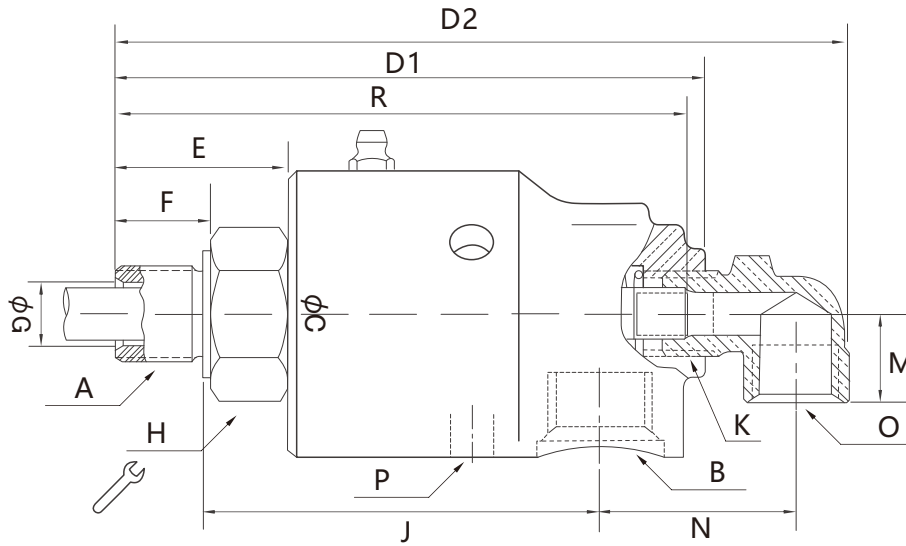


Single channel model selection table

DN	A	B	C	D1	E	F	G	H	J	K	P	KG
10	R3/8"	Rc3/8"	Φ45	100	26	16	Φ9.5	22	64	Rc1/4"	Φ8.6(3x120°)	0.6
15	R1/2"	Rc1/2"	Φ57	119	35	19	Φ12.7	30	79	Rc3/8"	Φ8.6(3x120°)	1.2
20	R3/4"	Rc3/4"	Φ73	136	34	19	Φ17.5	36	95	Rc1/2"	Φ8.6(3x120°)	2.1
25	R1"	Rc1"	Φ83	163	42	22	Φ25	36	108	Rc3/4"	Φ8.6(3x120°)	3.1
32	R1-1/4"	R1-1/4"	Φ91	189	54	28	Φ31.8	46	119	Rc1"	Φ8.6(3x120°)	4.1
40	R1-1/2"	Rc1-1/2"	Φ108	228	72	29	Φ38	55	149	Rc1-1/4"	Φ8.6(3x120°)	6.7
50	R2"	Rc2"	Φ118	248	65	29	Φ47.6	60	165	Rc1-1/4"	Φ8.6(3x120°)	7.6

Note: With the difference of medium, caliber, pressure, rotating speed and temperature, the use limitation will also be different. Under special conditions, please contact Moflon Technology Co., Ltd. to determine the safety limitation.

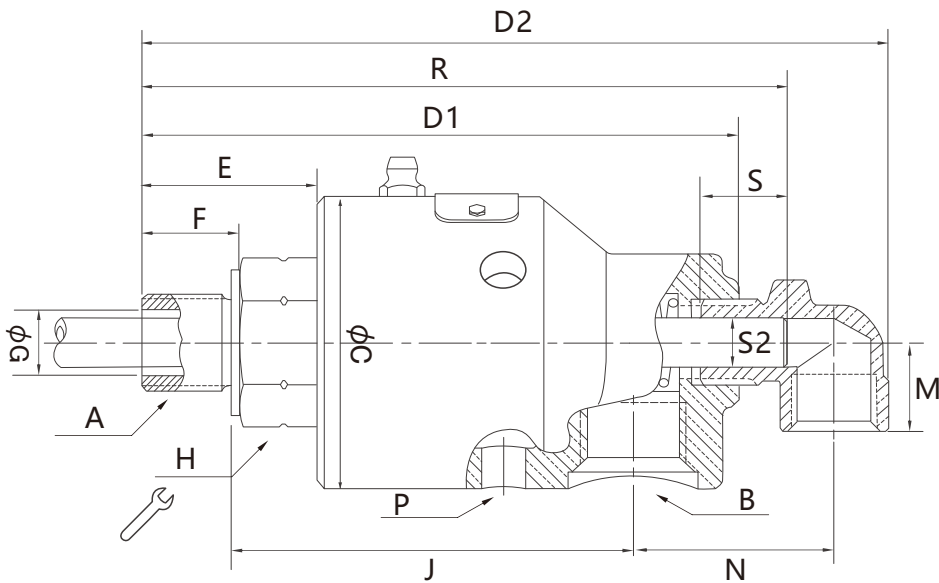
Two-channel (static inner tube)



Two-channel (static inner tube) Model selection table

DN	A	B	O	C	D1	D2	E	F	G	H	J	P	K	M	N	R
10	R3/8"	Rc3/8"	Rc1/4"	Φ45	100	124	26	16	Φ9.5	22	64	Φ8.6(3x120°)	Rc1/4"	18	36	99
15	R1/2"	Rc1/2"	Rc3/8"	Φ57	119	147	35	19	Φ12.7	30	79	Φ8.6(3x120°)	Rc3/8"	18	40	118
20	R3/4"	Rc3/4"	Rc1/2"	Φ73	136	171	34	19	Φ17.5	36	95	Φ8.6(3x120°)	Rc1/2"	26	46	137
25	R1"	Rc1"	Rc1/2"	Φ83	163	200	42	22	Φ25	36	108	Φ8.6(3x120°)	Rc3/4"	28	59	161
32	R1-1/4"	Rc1-1/4"	Rc3/4"	Φ91	189	234	54	28	Φ31.8	46	119	Φ8.6(3x120°)	Rc1"	35	72	186
40	R1-1/2"	Rc1-1/2"	Rc3/4"	Φ108	228	270	72	29	Φ38	55	149	Φ8.6(3x120°)	Rc1-1/4"	38	76	223
50	R2"	Rc2"	Rc1-1/4"	Φ118	248	312	65	29	Φ47.6	60	165	Φ8.6(3x120°)	Rc1-1/4"	45	96	252

Two-channel (rotary inner tube)



Two-channel (static inner tube) model selection table

DN	A	B	O	C	D1	D2	E	F	G	H	J	P	K	M	N	R	S2
10	R3/8"	Rc3/8"	Rc1/4"	Φ45	100	124	26	16	Φ9.5	22	64	Φ8.6(3x120°)	Rc1/4"	18	36	103	5.8
15	R1/2"	Rc1/2"	Rc3/8"	Φ57	119	147	35	19	Φ12.7	30	79	Φ8.6(3x120°)	Rc3/8"	18	40	124	9.8
20	R3/4"	Rc3/4"	Rc1/2"	Φ73	136	171	34	19	Φ17.5	36	95	Φ8.6(3x120°)	Rc1/2"	26	46	143	12.8
25	R1"	Rc1"	Rc1/2"	Φ83	163	200	42	22	Φ25	36	108	Φ8.6(3x120°)	Rc3/4"	28	59	171	15.8
32	R1-1/4"	Rc1-1/4"	Rc3/4"	Φ91	189	234	54	28	Φ31.8	46	119	Φ8.6(3x120°)	Rc1"	35	72	196	21.8
40	R1-1/2"	Rc1-1/2"	Rc3/4"	Φ108	228	270	72	29	Φ38	55	149	Φ8.6(3x120°)	Rc1-1/4"	38	76	238	25.8
50	R2"	Rc2"	Rc1-1/4"	Φ118	248	312	65	29	Φ47.6	60	165	Φ8.6(3x120°)	Rc1-1/4"	45	96	253	31.8

KBE Series Rotary joints

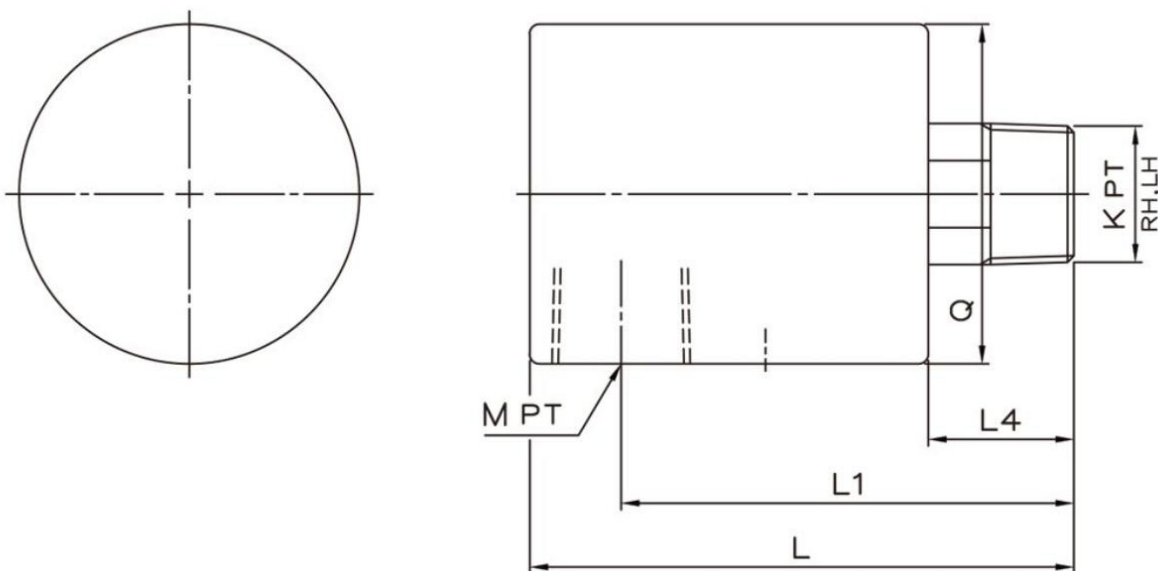
Applicable medium	Temperature	Max pressure	Max Rotary Speed
Water	-30~80°C	1.0Mpa	3000RPM
Air			
Coolant			



Product Features

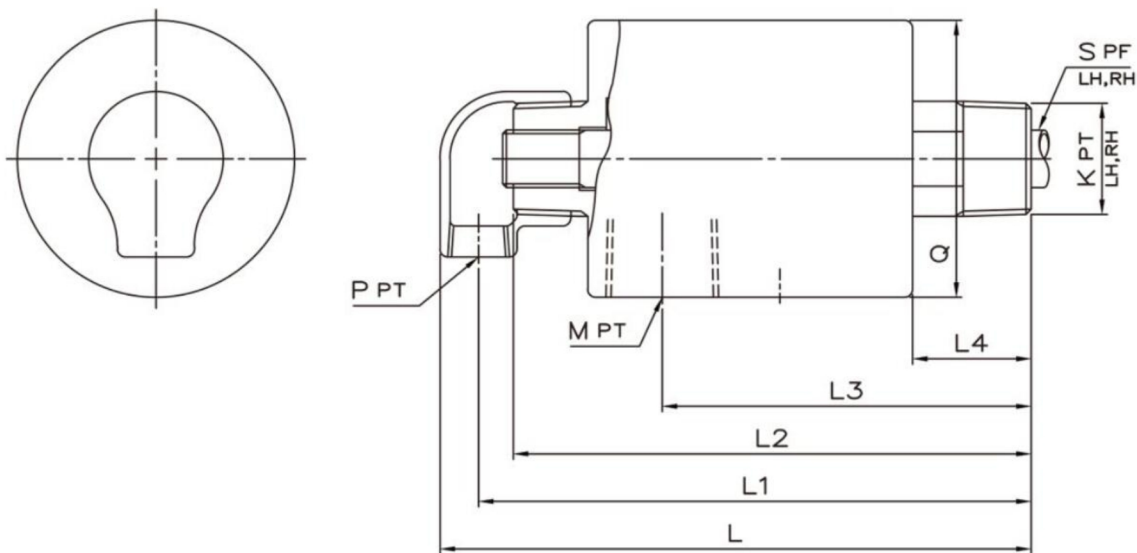
- ▲ Balanced mechanical air seal design, using stainless steel springs to compensate for wear and tear, longer life cycle;
- ▲ The sealing material is a wear-resistant tungsten carbide material imported from Germany to ensure high quality and high pressure resistance;
- ▲ Double bearings, using imported bearings to ensure that the deflection and clearance are in the ideal range at high speeds;
- ▲ The stainless steel shaft is heat-treated and ground to ensure rigidity without deformation for a long time and no eccentric force;
- ▲ A pair of friction pairs are processed by mirror grinding to ensure long life and high pressure resistance.

Single Channel



Standard Size		K	M	L	L1	L4	Q
10A	3/8"	3/8"	3/8"	102	87	27	45
15A	1/2"	1/2"	1/2"	116	100	30	57
20A	3/4"	3/4"	3/4"	134.5	114	33	67
25A	1"	1"	1"	150	125	36	74
32A	1.1/4"	1.1/4"	1.1/4"	167	140	39	88
40A	1.1/2"	1.1/2"	1.1/2"	182	148	42	93

Two-Channel



Two-Channel Model Selection table

Standard Size		K	M	P	S	L	L1	L2	L3	L4	Q
10A	3/8"(B)	3/8"	1/4"	1/4"	7	136	126	115	86	27	45
15A	1/2"(B)	1/2"	3/8"	3/8"	1/8"	157	145.5	131	100	30	57
20A	3/4"(B)	3/4"	1/2"	1/2"	1/4"	179	165	148	112	33	67
25A	1"(B)	1"	1/2"	1/2"	3/8"	192	178	157	120	36	74
32A	1.1/4"	1.1/4"	3/4"	3/4"	1/2"	216	199	175	132	39	88
40A	1.1/2"(B)	1.1/2"	1"	1"	3/4"	235	214	189	140	42	93

STEAM SERIES



KSAB Series Rotary Joints

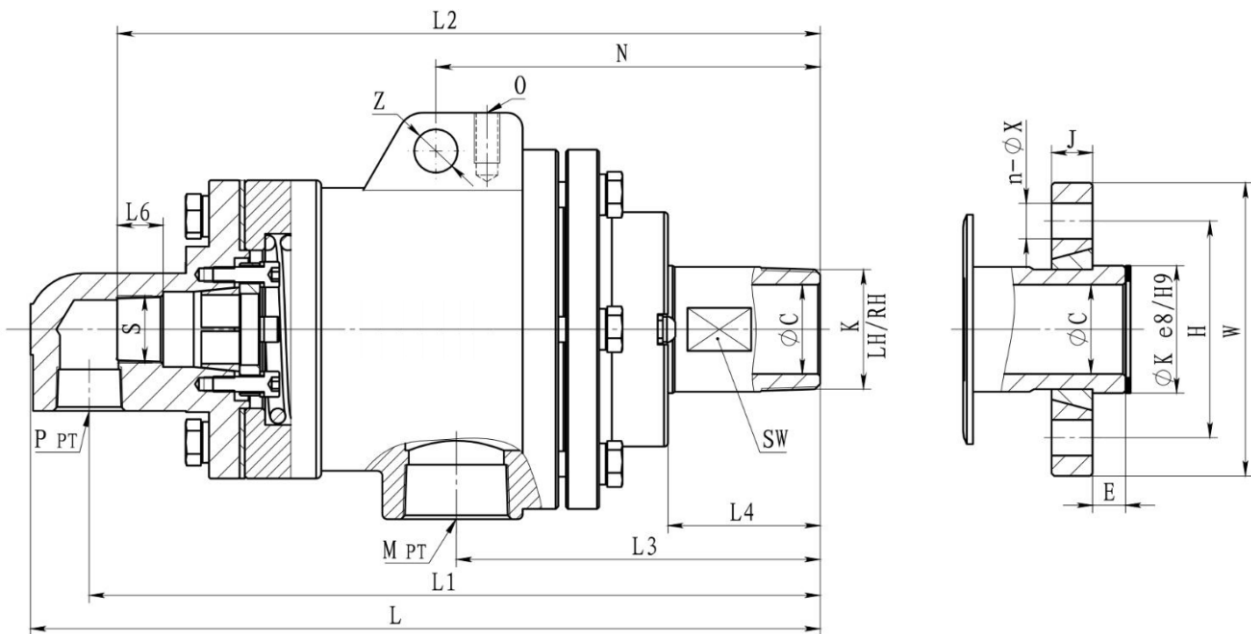


Applicable medium	Temperature	Max pressure	Max Rotary Speed
Steam series	280°C	3.2Mpa	350RPM

Product Features

- ▲ Two graphite bearings with widened spacing can more effectively support siphons and hoses;
- ▲ The compressed stone black seal improves strength and impact resistance, resulting in a longer service life of the rotary joint;
- ▲ The hardened rotor, nickel plated end cover, and shell have an extremely long service life under high pressure conditions;
- ▲ External seal wear indication helps to achieve scheduled maintenance and reduces expensive downtime;
- ▲ Inner tube locking device enhances the strength of the inner tube. Effectively avoiding the fracture or deformation of the inner tube at the connection between the inner tube and the shell due to the reduced strength of the inner tube thread processing

Dimension



Standard Size	K	M	P	S	L	L1	L2	L3	L4	L6	N	Z	O	Q	Standard Size							
															φC	E	φK	W	H	J	n-X	
032	1-1/4"	R1-1/4"	Rc1"	Rc3/4"	Rc1/2"	279	246	240	125	52	17	129	17	M10	132	29	13	45	75	100	16	n-φ14
040	1-1/2"	R1-1/2"	Rc1-1/4"	Rc3/4"	Rc3/4"	310	285	275	140	52	16	149	17	M10	141	35	13	50	85	115	16	n-φ14
050	2"	R2"	Rc1-1/2"	Rc1"	Rc1"	348	322	307	155	67	19	161	18	M10	164	43	16	60	95	125	16	n-φ14

KSA Series Rotary Joints



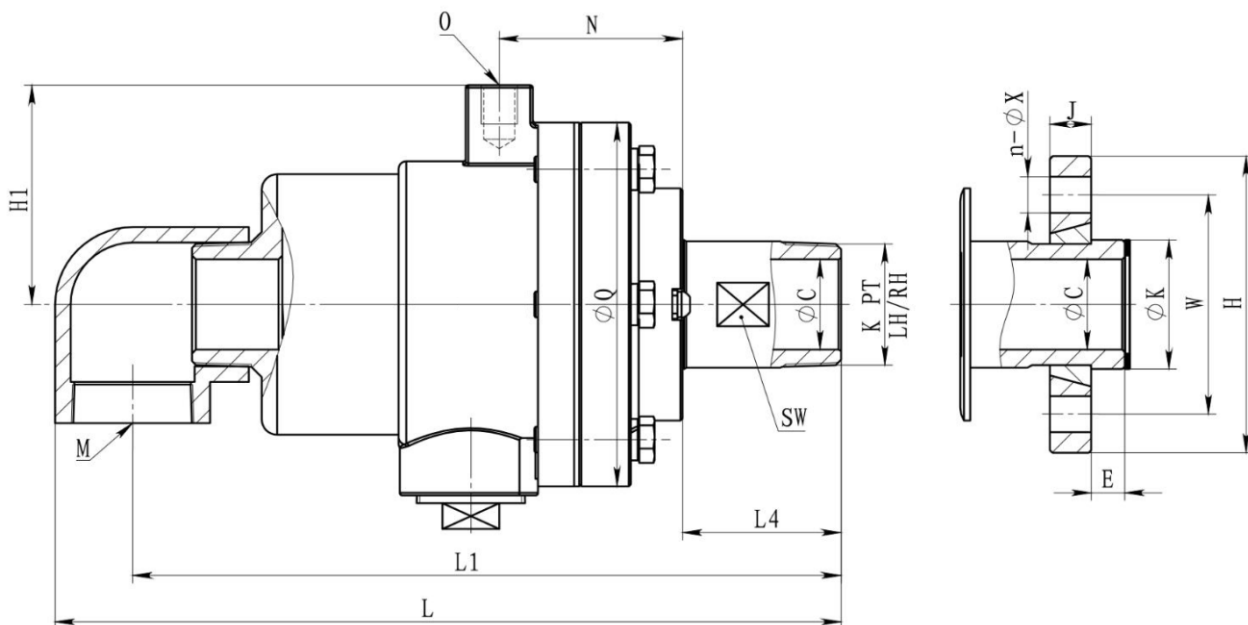
Applicable medium	Temperature	Max pressure	Max Rotary Speed
Steam/ heat transfer oil	280°C	3.5Mpa	350RPM

The KSA series rotary joint adopts a reliable performance anti spherical sealing structure, supported by two wide oil-free uranium bearings, and is rust freeSteel springs provide continuous and stable spring force to drive graphite sealing rings to compensate for seal wear, and can be used for concentricityHigh, in vibration equipment.

Product Features

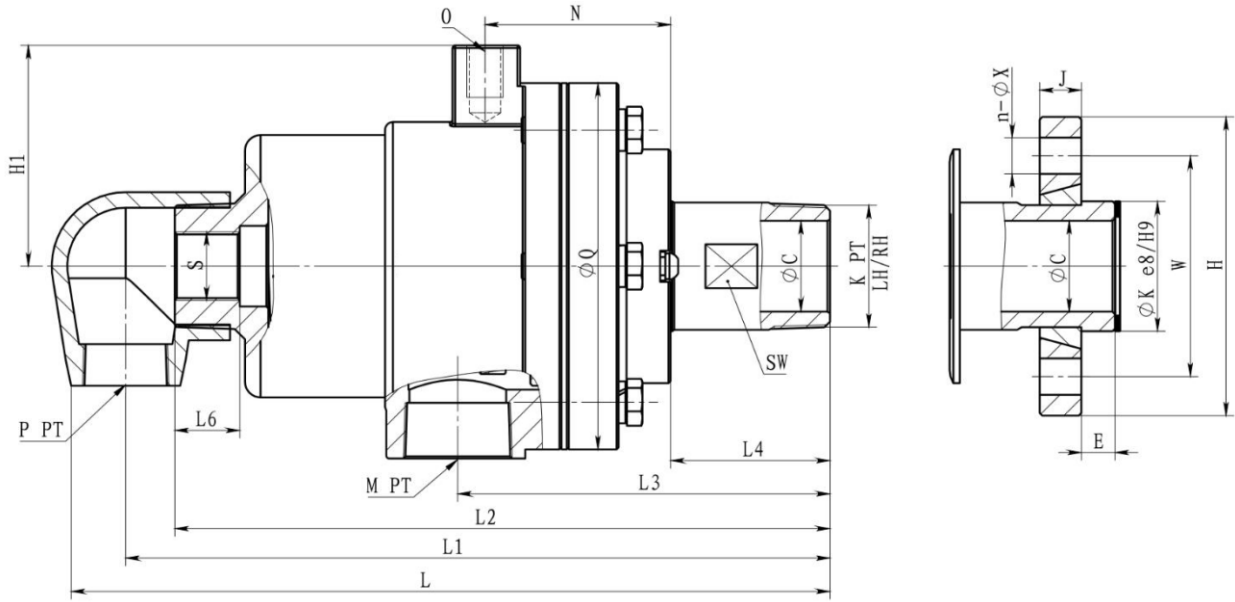
- ▲ Two graphite bearings with widened spacing can more effectively support siphons and hoses;
- ▲ The compressed stone black seal improves strength and impact resistance, extending the service life of the rotary joint; Longer;
- ▲ External seal wear indication helps to achieve scheduled maintenance and reduces expensive downtime;
- ▲ The hardened rotor and end cover have an extremely long service life under high-pressure conditions.

KSAM Single way rotary joint



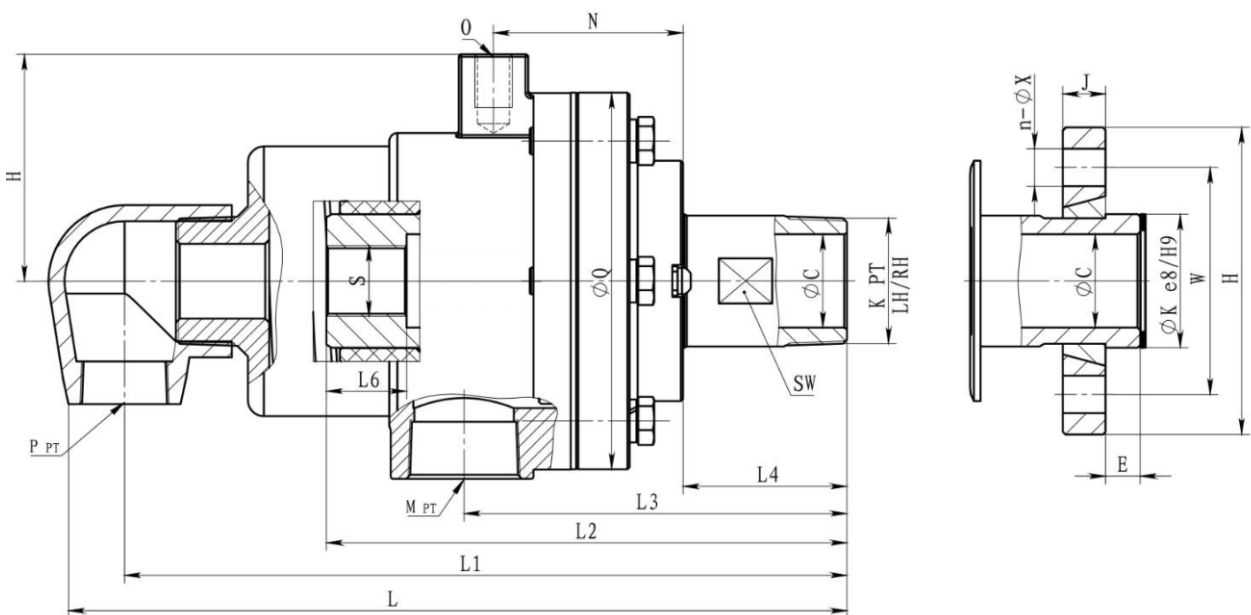
Standard Size	K	M	L	L1	L4	H1	N	O	Q	Standard Size							
										ϕC	E	ϕK	W	H	J	n-X	
020	3/4"	R3/4"	Rc3/4"	211	194	45	60	49	M10	99	18	11	26	55	80	14	n- $\phi 12$
025	1"	R1"	Rc1"	262	241	50	70	58	M12	109	23	11	35	65	90	14	n- $\phi 12$
032	1-1/4"	R1-1/4"	Rc1-1/4"	288	262	57	80	64	M12	132	29	13	45	75	100	16	n- $\phi 14$
040	1-1/2"	R1-1/2"	Rc1-1/2"	311	283	61	85	71	M14	141	35	13	50	85	115	16	n- $\phi 14$
050	2"	R2"	Rc2"	356	321	65	95	79	M14	164	45	16	60	95	125	16	n- $\phi 14$
065	2-1/2"	R2-1/2"	Rc2-1/2"	387	357	80	110	82	M14	187	56	19	75	110	140	18	n- $\phi 14$
080	3"	Above 3", you can call to request drawings or design and produce according to requirements															

KSAD Double way (fixed inner pipe) rotary joint



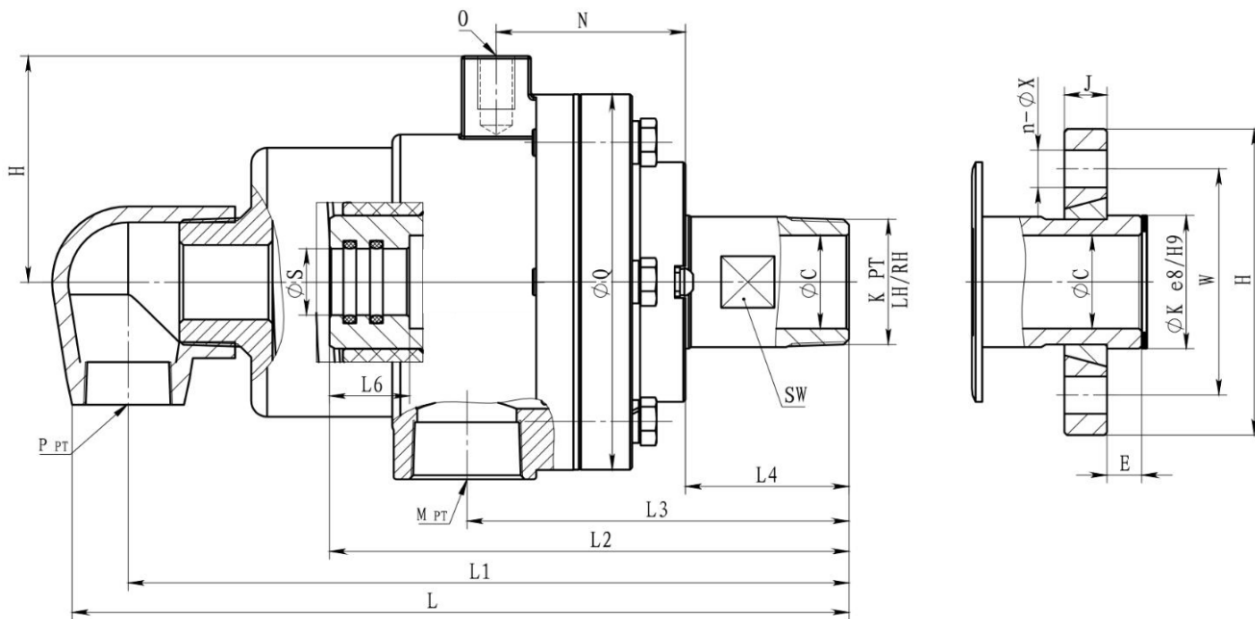
Standard Size	K	M	P	S	L	L1	L2	L3	L4	L6	H1	N	O	Q	Flange rotor							
															φC	E	φK	W	H	J	n-X	
020	3/4"	R3/4"	Rc3/4"	Rc3/4"	G1/4"	205	191	175	98	45	18	60	49	M10	99	17	11	26	55	80	14	4-φ12
025	1"	R1"	Rc3/4"	Rc3/4"	G3/8"	252	235	216	121	50	20	70	58	M12	109	23	11	35	65	90	14	4-φ12
032	1-1/4"	R1-1/4"	Rc1"	Rc1"	G1/2"	271	250	229	125	57	25	80	64	M12	132	29	13	45	75	100	16	4-φ14
040	1-1/2"	R1-1/2"	Rc1-1/4"	Rc1-1/4"	G3/4"	297	276	251	143	61	25	85	71	M14	141	35	13	50	85	115	16	4-φ14
050	2"	R2"	Rc1-1/2"	Rc1-1/2"	G1"	333	308	281	157	65	30	95	97	M14	164	45	16	60	90	125	16	4-φ14
065	2-1/2"	R2-1/2"	Rc2"	Rc2"	G1-1/4"	395	348	321	175	80	35	110	82	M14	187	56	18	75	110	140	18	4-φ14
080	3"	Above 3", you can call to request drawings or design and produce according to requirements																				

KSAY Double way (inner tube rotating) rotary joint



Standard Size		K	M	P	S	L	L1	L2	L3	L4	L6	H1	N	O	Q	Flange rotor						
																ΦC	E	ΦK	W	H	J	n-X
020	3/4"	R3/4"	Rc3/4"	Rc3/4"	G1/4"	205	191	/	98	45	18	60	49	M10	99	17	11	26	55	80	14	4-Φ12
025	1"	R1"	Rc3/4"	Rc3/4"	G3/8"	252	235	/	121	50	20	70	58	M12	109	23	11	35	65	90	14	4-Φ12
032	1-1/4"	R1-1/4"	Rc1"	Rc1"	G1/2"	271	250	175	125	57	25	80	64	M12	132	29	13	45	75	100	16	4-Φ14
040	1-1/2"	R1-1/2"	Rc1-1/4"	Rc1-1/4"	G3/4"	297	276	195	143	61	25	85	71	M14	141	35	13	50	85	115	16	4-Φ14
050	2"	R2"	Rc1-1/2"	Rc1-1/2"	G1"	333	308	216	157	65	30	95	79	M14	164	45	16	60	90	125	16	4-Φ14
065	2-1/2"	R2-1/2"	Rc2"	Rc2"	G1-1/4"	395	348	250	175	80	35	110	82	M14	187	56	18	75	110	140	18	4-Φ14
080	3"	Above 3", you can call to request drawings or design and produce according to requirements																				

KSAU-Double way (inner tube rotating) rotary joint



Standard Size		K	M	P	ΦS	L	L1	L2	L3	L4	L6	H1	N	O	Q	Flange rotor						
																ΦC	E	ΦK	W	H	J	n-X
020	3/4"	R3/4"	Rc3/4"	Rc3/4"	12	205	191	/	98	45	20	60	49	M10	99	17	11	26	55	80	14	4-Φ12
025	1"	R1"	Rc3/4"	Rc3/4"	16	252	235	/	121	50	20	70	58	M12	109	23	11	35	65	90	14	4-Φ12
032	1-1/4"	R1-1/4"	Rc1"	Rc1"	20	271	250	175	125	57	25	80	64	M12	132	29	13	45	75	100	16	4-Φ14
040	1-1/2"	R1-1/2"	Rc1-1/4"	Rc1-1/4"	25	297	276	195	143	61	30	85	71	M14	141	35	13	50	85	115	16	4-Φ14
050	2"	R2"	Rc1-1/2"	Rc1-1/2"	32	333	308	216	157	65	40	95	79	M14	164	45	16	60	90	125	16	4-Φ14
065	2-1/2"	R2-1/2"	Rc2"	Rc2"	40	395	348	250	175	80	45	110	82	M14	187	56	18	75	110	140	18	4-Φ14
080	3"	Above 3", you can call to request drawings or design and produce according to requirements																				

KLN Series Steam swivel joints

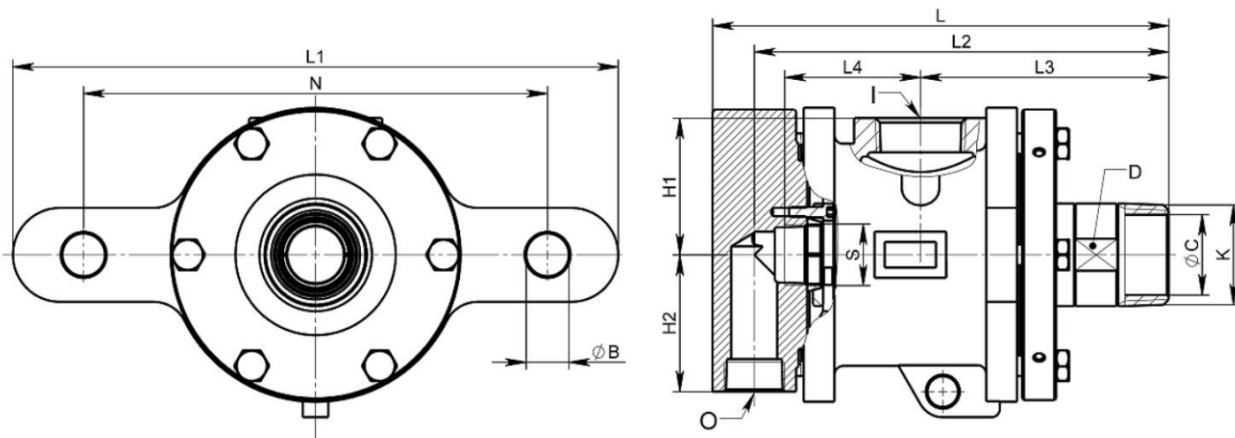
Applicable medium	Temperature	Max pressure	Max Rotary Speed
steam	220°C	2Mpa	300RPM



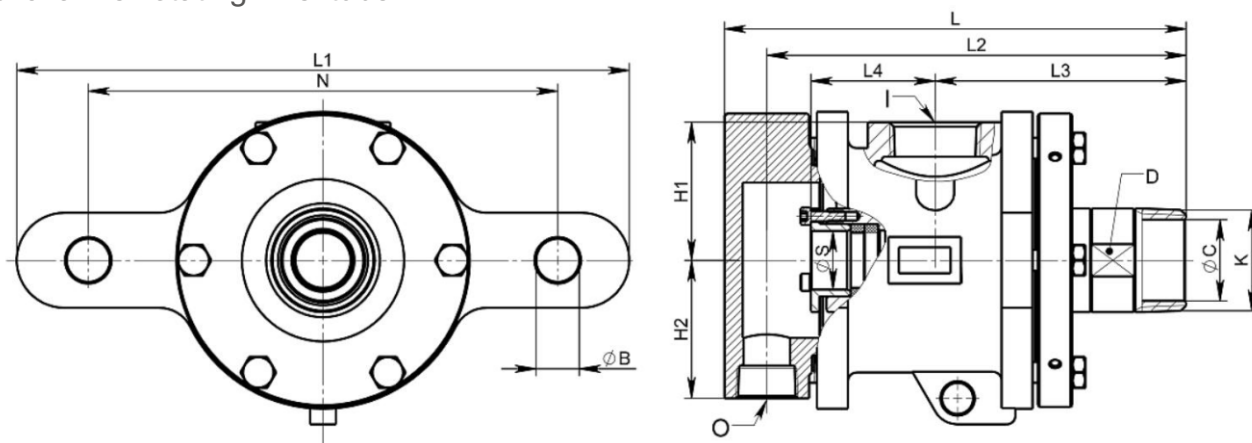
Product Features

- ▲ Double spherical sealing ring, self centering, low friction torque;
- ▲ Lifetime maintenance free, adding lubricating oil for easy maintenance;
- ▲ The fixed inner tube comes with a locking device to increase strength and avoid bending, deformation, or fracture of the inner tube;
- ▲ Double pole external support rotating joint, all the impact force of condensate water is borne by the double pole, and the sealing ring is not affected by condensate water, resulting in a longer service life.

Dual channel fixed inner tube



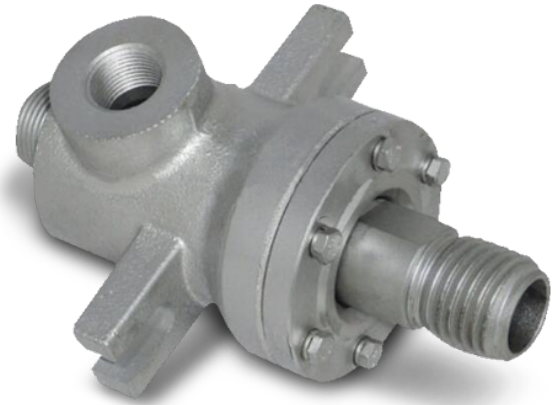
Dual channel rotating inner tube



Model Selection Table																			
Standard Size	K	I	O	S	L	L1	L2	L3	L4	B	N	H1	H2	Flange rotor					
														ΦC	ΦK	ΦH	ΦW	n-X	
032	1-1/4"	R1-1/4"	Rc1"	Rc1/2"	Rc1/2"	199	270	199	94	84	13	140~220	60	60	32	45	100	75	n-Φ14
040	1-1/2"	R1-1/2"	Rc1-1/4"	Rc3/4"	Rc3/4"	243	315	224	135	77	25	190~260	75	75	37	50	115	85	n-Φ14

KQS-Y Series Steam swivel joints

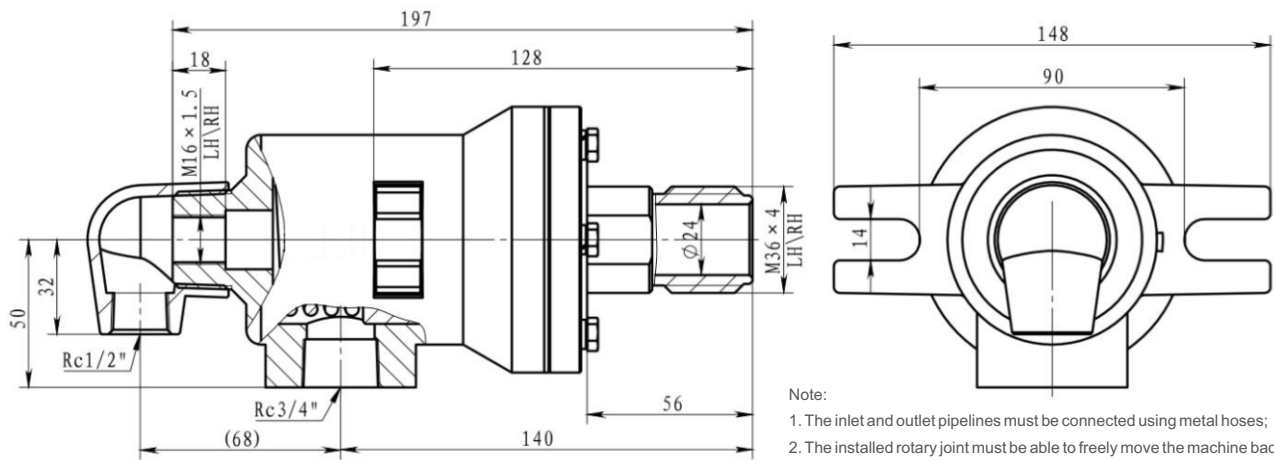
Applicable medium	Temperature	Max pressure	Max Rotary Speed
steam	220°C	1.8Mpa	100RPM



Product Features

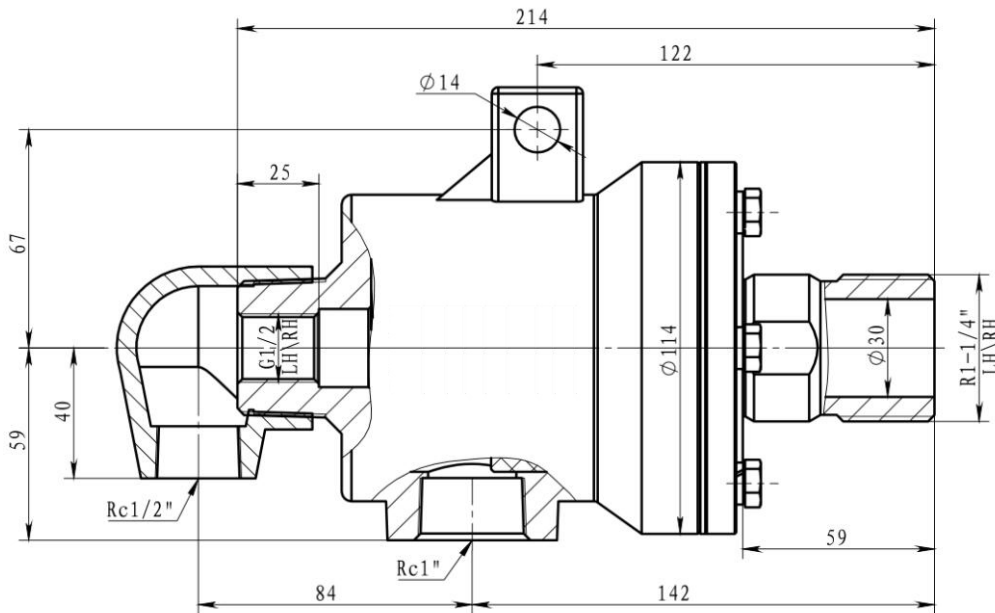
- ▲ Completely adopts no oil supply type, easy to maintain;
- ▲ Can be used under high temperature and pressure conditions;
- ▲ Minimal wear and tear, able to maintain excellent performance for a long time;
- ▲ The structure is simple, so it is easy to repair after wear and tear.

KQS-YM36X4 Steam rotary joint (fixed inner pipe)



- Note:
1. The inlet and outlet pipelines must be connected using metal hoses;
 2. The installed rotary joint must be able to freely move the machine back and forth at a certain angle, and it is strictly prohibited to fix the rotary joint;
 3. Both internal and external pipe threads need to be confirmed to be left and right turned.

KQS-YM45×3 Steam rotary joint (fixed inner pipe)





HEAT TRANSFER OIL SERIES

KRXB Series Rotary joints

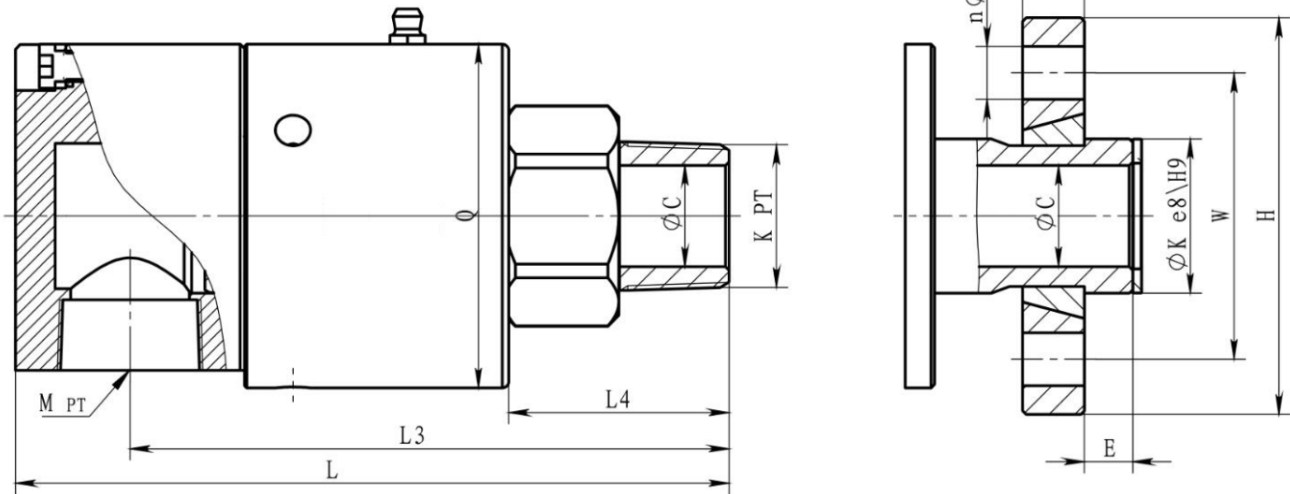


Applicable medium	Temperature	Max pressure	Max Rotary Speed
Water	90°C	1.1Mpa	2500RPM
hot oil	180°C	1.1Mpa	2500RPM

Product Features

- ▲ Balanced mechanical dynamic seal, long life cycle;
- ▲ The spring is not in contact with the medium, which improves reliability and increases the flow area;
- ▲ Stainless steel shell and rotor, corrosion-resistant;
- ▲ The shell adopts a split structure, and the seal can be replaced online, reducing downtime and maintenance costs;
- ▲ The O-ring moves with the sealing ring as a whole, the design is reliable, and the O-ring has no possibility of slack and slipping out;
- ▲ Silicon carbide dynamic seal, enhanced toughness and impact resistance;
- ▲ The matching sealing surface, the selected material meets the specific working conditions.

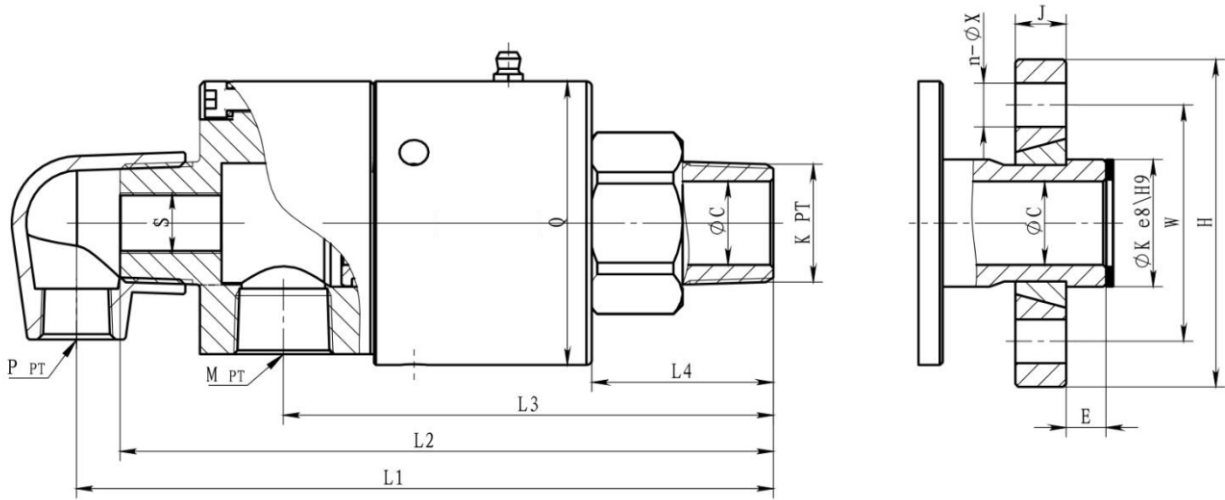
KRXBM Single Channel Rotary Joint



Size	K	M	P	S	L1	L2	L3	L4	L6	Q	Flange rotor							
											ΦC	E	ΦK	W	H	J	-ΦX	
015	1/2"	R1/2"	Rc1/2"	Rc1/2"	G1/8"	155	140	108	35	20	59	13	8	23	55	80	14	4-Φ10
020	3/4"	R3/4"	Rc1/2"	Rc1/2"	G1/4"	175	165	125	40	25	74	16	11	26	55	80	14	4-Φ12
025	1"	R1"	Rc3/4"	Rc1/2"	G3/8"	195	180	132	44	30	78	23	11	35	65	90	14	4-Φ12
032	1-1/4"	R1-1/4"	Rc3/4"	Rc3/4"	G1/2"	235	215	160	54	30	98	30	13	45	75	100	16	4-Φ14
040	1-1/2"	R1.1/2"	Rc1"	Rc3/4"	G3/4"	260	240	172	58	35	105	36	13	50	85	115	16	4-Φ14
050	2"	R2"	Rc1"	Rc1"	G1"	290	265	195	65	35	115	45	16	60	95	125	16	4-Φ14

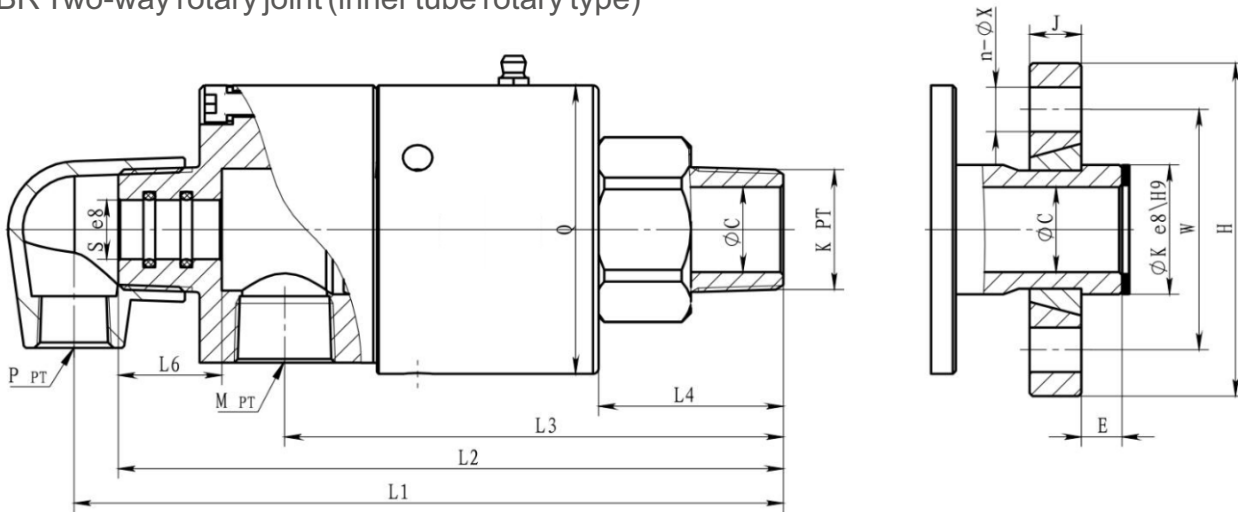
Note: With the difference of medium, caliber, pressure, rotating speed and temperature, the use limitation will also be different. Under special conditions, please contact Moflon Technology Co., Ltd. to determine the safety limitation.

KRXBD Two-way rotary joint (inner tube fixed type)



Size	K	M	P	S	L1	L2	L3	L4	L6	Q	Flange rotor							
											φC	E	φK	W	H	J	-φX	
015	1/2"	R1/2"	Rc1/2"	Rc1/2"	G1/8"	155	140	108	35	20	59	13	8	23	55	80	14	4-φ10
020	3/4"	R3/4"	Rc1/2"	Rc1/2"	G1/4"	175	165	125	40	25	74	16	11	26	55	80	14	4-φ12
025	1"	R1"	Rc3/4"	Rc1/2"	G3/8"	195	180	132	44	30	78	23	11	35	65	90	14	4-φ12
032	1-1/4"	R1-1/4"	Rc3/4"	Rc3/4"	G1/2"	235	215	160	54	30	98	30	13	45	75	100	16	4-φ14
040	1-1/2"	R1.1/2"	Rc1"	Rc3/4"	G3/4"	260	240	172	58	35	105	36	13	50	85	115	16	4-φ14
050	2"	R2"	Rc1"	Rc1"	G1"	290	265	195	65	35	115	45	16	60	95	125	16	4-φ14

KRXBR Two-way rotary joint (inner tube rotary type)



Size	K	M	P	S	L1	L2	L3	L4	L6	Q	Flange rotor							
											φC	E	φK	W	H	J	-φX	
015	1/2"	R1/2"	Rc1/2"	Rc1/2"	φ10	155	140	108	35	20	59	13	8	23	55	80	14	4-φ10
020	3/4"	R3/4"	Rc1/2"	Rc1/2"	φ12	175	165	125	40	25	74	16	11	26	55	80	14	4-φ12
025	1"	R1"	Rc3/4"	Rc1/2"	φ16	195	180	132	44	30	78	23	11	35	65	90	14	4-φ12
032	1-1/4"	R1-1/4"	Rc3/4"	Rc3/4"	φ20	235	215	160	54	30	98	30	13	45	75	100	16	4-φ14
040	1-1/2"	R1.1/2"	Rc1"	Rc3/4"	φ25	260	240	172	58	35	105	36	13	50	85	115	16	4-φ14
050	2"	R2"	Rc1"	Rc1"	φ32	290	265	195	65	35	115	45	16	60	95	125	16	4-φ14

KSA Series Rotary Joints



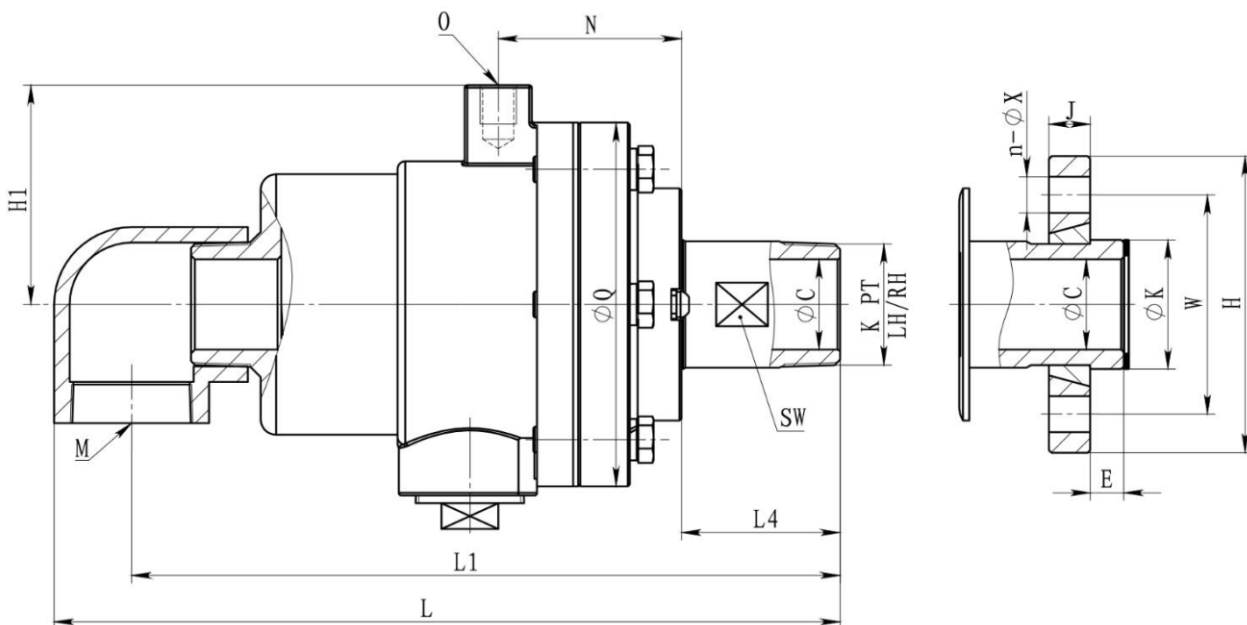
Applicable medium	Temperature	Max pressure	Max Rotary Speed
Steam/ heat transfer oil	280°C	3.5Mpa	350RPM

The KSA series rotary joint adopts a reliable performance anti spherical sealing structure, supported by two wide oil-free uranium bearings, and is rust freeSteel springs provide continuous and stable spring force to drive graphite sealing rings to compensate for seal wear, and can be used for concentricityHigh, in vibration equipment.

Product Features

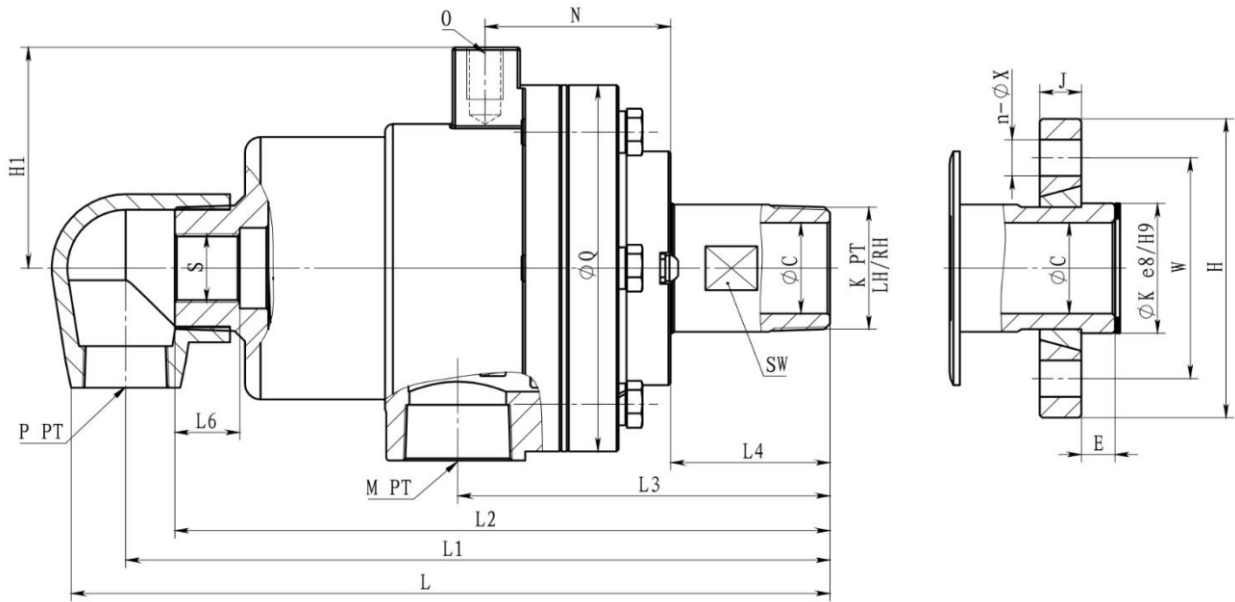
- ▲ Two graphite bearings with widened spacing can more effectively support siphons and hoses;
- ▲ The compressed stone black seal improves strength and impact resistance, extending the service life of the rotary joint; Longer;
- ▲ External seal wear indication helps to achieve scheduled maintenance and reduces expensive downtime;
- ▲ The hardened rotor and end cover have an extremely long service life under high-pressure conditions.

KSAM Single way rotary joint



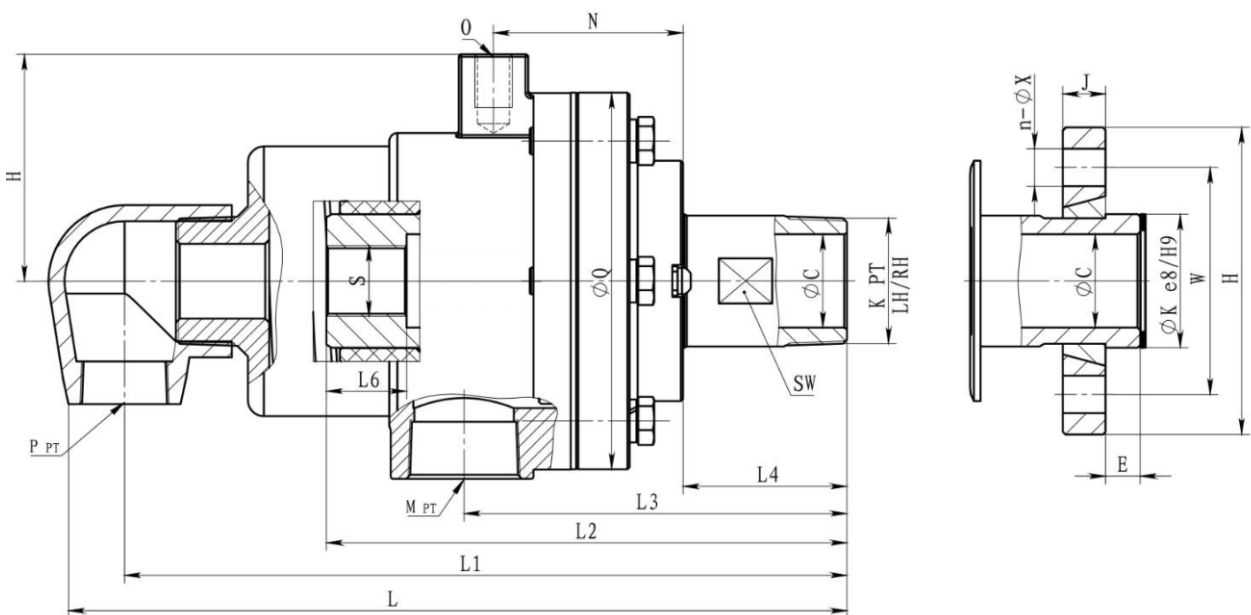
Standard Size	K	M	L	L1	L4	H1	N	O	Q	Standard Size							
										ϕC	E	ϕK	W	H	J	n-X	
020	3/4"	R3/4"	Rc3/4"	211	194	45	60	49	M10	99	18	11	26	55	80	14	n- $\phi 12$
025	1"	R1"	Rc1"	262	241	50	70	58	M12	109	23	11	35	65	90	14	n- $\phi 12$
032	1-1/4"	R1-1/4"	Rc1-1/4"	288	262	57	80	64	M12	132	29	13	45	75	100	16	n- $\phi 14$
040	1-1/2"	R1-1/2"	Rc1-1/2"	311	283	61	85	71	M14	141	35	13	50	85	115	16	n- $\phi 14$
050	2"	R2"	Rc2"	356	321	65	95	79	M14	164	45	16	60	95	125	16	n- $\phi 14$
065	2-1/2"	R2-1/2"	Rc2-1/2"	387	357	80	110	82	M14	187	56	19	75	110	140	18	n- $\phi 14$
080	3"	Above 3", you can call to request drawings or design and produce according to requirements															

KSAD Double way (fixed inner pipe) rotary joint



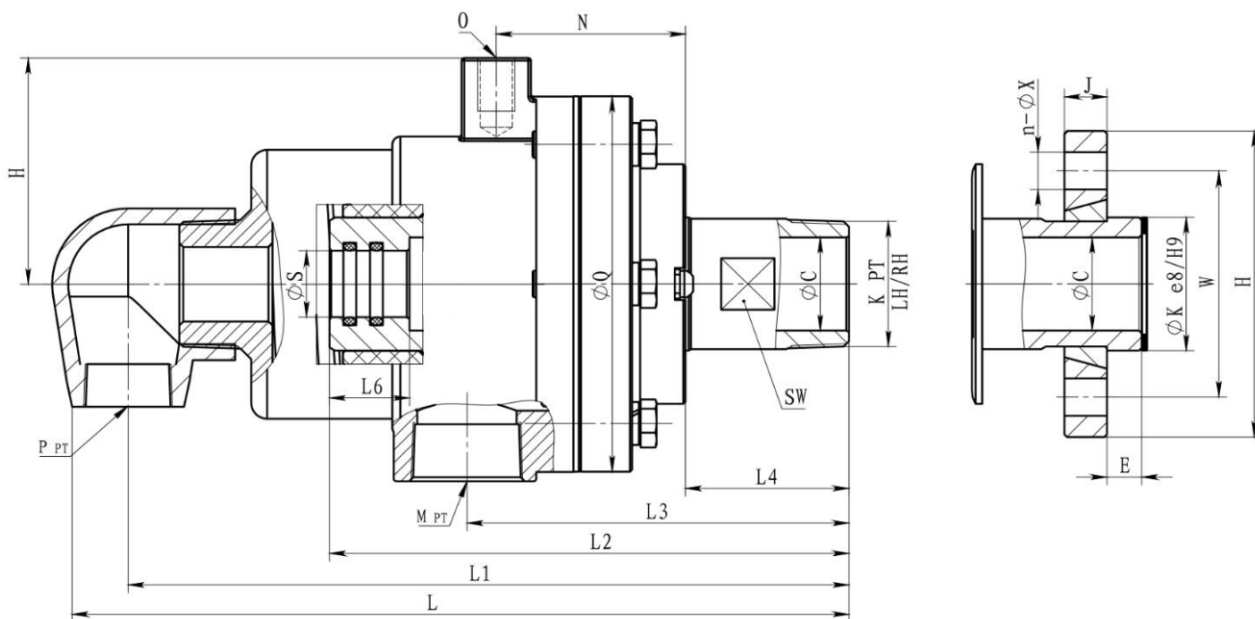
Standard Size	K	M	P	S	L	L1	L2	L3	L4	L6	H1	N	O	Q	Flange rotor							
															φC	E	φK	W	H	J	n-X	
020	3/4"	R3/4"	Rc3/4"	Rc3/4"	G1/4"	205	191	175	98	45	18	60	49	M10	99	17	11	26	55	80	14	4-φ12
025	1"	R1"	Rc3/4"	Rc3/4"	G3/8"	252	235	216	121	50	20	70	58	M12	109	23	11	35	65	90	14	4-φ12
032	1-1/4"	R1-1/4"	Rc1"	Rc1"	G1/2"	271	250	229	125	57	25	80	64	M12	132	29	13	45	75	100	16	4-φ14
040	1-1/2"	R1-1/2"	Rc1-1/4"	Rc1-1/4"	G3/4"	297	276	251	143	61	25	85	71	M14	141	35	13	50	85	115	16	4-φ14
050	2"	R2"	Rc1-1/2"	Rc1-1/2"	G1"	333	308	281	157	65	30	95	97	M14	164	45	16	60	90	125	16	4-φ14
065	2-1/2"	R2-1/2"	Rc2"	Rc2"	G1-1/4"	395	348	321	175	80	35	110	82	M14	187	56	18	75	110	140	18	4-φ14
080	3"	Above 3", you can call to request drawings or design and produce according to requirements																				

KSAY Double way (inner tube rotating) rotary joint



Standard Size		K	M	P	S	L	L1	L2	L3	L4	L6	H1	N	O	Q	Flange rotor						
																ΦC	E	ΦK	W	H	J	n-X
020	3/4"	R3/4"	Rc3/4"	Rc3/4"	G1/4"	205	191	/	98	45	18	60	49	M10	99	17	11	26	55	80	14	4-Φ12
025	1"	R1"	Rc3/4"	Rc3/4"	G3/8"	252	235	/	121	50	20	70	58	M12	109	23	11	35	65	90	14	4-Φ12
032	1-1/4"	R1-1/4"	Rc1"	Rc1"	G1/2"	271	250	175	125	57	25	80	64	M12	132	29	13	45	75	100	16	4-Φ14
040	1-1/2"	R1-1/2"	Rc1-1/4"	Rc1-1/4"	G3/4"	297	276	195	143	61	25	85	71	M14	141	35	13	50	85	115	16	4-Φ14
050	2"	R2"	Rc1-1/2"	Rc1-1/2"	G1"	333	308	216	157	65	30	95	79	M14	164	45	16	60	90	125	16	4-Φ14
065	2-1/2"	R2-1/2"	Rc2"	Rc2"	G1-1/4"	395	348	250	175	80	35	110	82	M14	187	56	18	75	110	140	18	4-Φ14
080	3"	Above 3", you can call to request drawings or design and produce according to requirements																				

KSAU-Double way (inner tube rotating) rotary joint



Standard Size		K	M	P	ΦS	L	L1	L2	L3	L4	L6	H1	N	O	Q	Flange rotor						
																ΦC	E	ΦK	W	H	J	n-X
020	3/4"	R3/4"	Rc3/4"	Rc3/4"	12	205	191	/	98	45	20	60	49	M10	99	17	11	26	55	80	14	4-Φ12
025	1"	R1"	Rc3/4"	Rc3/4"	16	252	235	/	121	50	20	70	58	M12	109	23	11	35	65	90	14	4-Φ12
032	1-1/4"	R1-1/4"	Rc1"	Rc1"	20	271	250	175	125	57	25	80	64	M12	132	29	13	45	75	100	16	4-Φ14
040	1-1/2"	R1-1/2"	Rc1-1/4"	Rc1-1/4"	25	297	276	195	143	61	30	85	71	M14	141	35	13	50	85	115	16	4-Φ14
050	2"	R2"	Rc1-1/2"	Rc1-1/2"	32	333	308	216	157	65	40	95	79	M14	164	45	16	60	90	125	16	4-Φ14
065	2-1/2"	R2-1/2"	Rc2"	Rc2"	40	395	348	250	175	80	45	110	82	M14	187	56	18	75	110	140	18	4-Φ14
080	3"	Above 3", you can call to request drawings or design and produce according to requirements																				

KRXH Series Rotary Joints

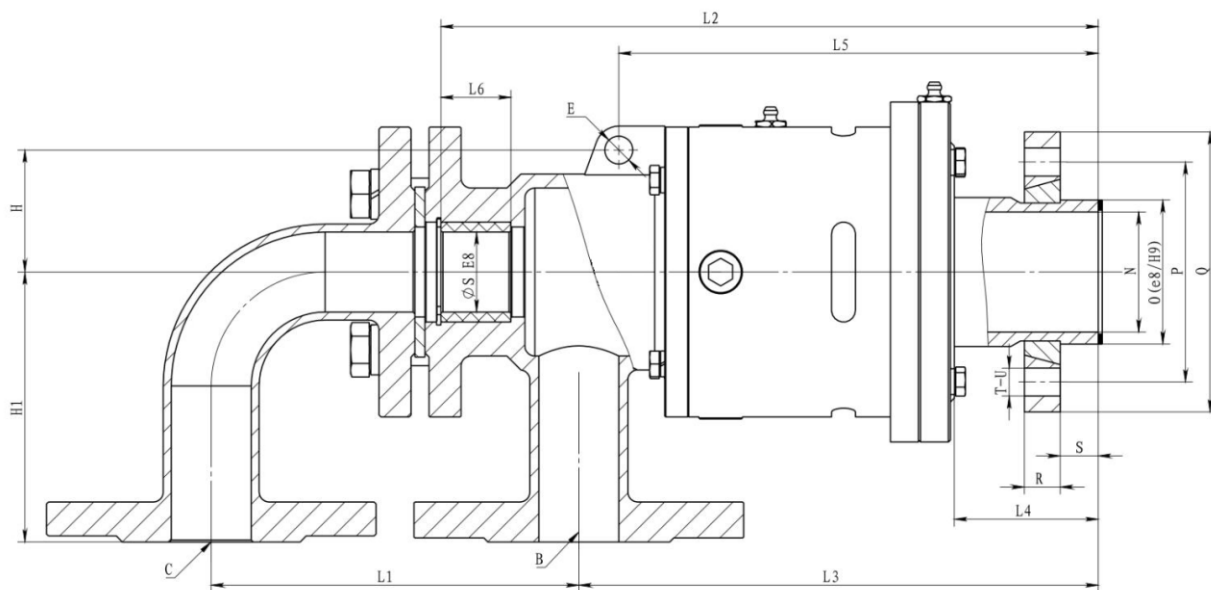
Applicable medium	Temperature	Max pressure	Max Rotary Speed
Oil	220°C	1.1Mpa	500RPM



Product Features

- ▲ Balanced sealing design;
- ▲ High precision metal bearings self support;
- ▲ Various sealing combinations are suitable for different working conditions.

Dimension

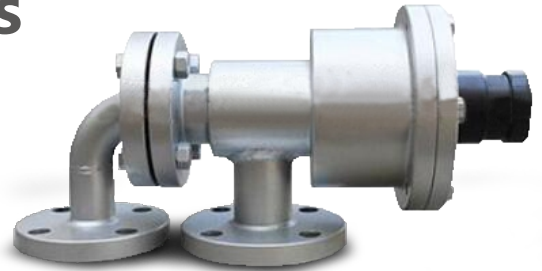


Model selection table

Model	Size	B	C	D	E	H	H1	L1	L2	L3	L5	L6	N	O	P	Q	R	S	T-U
KRXHRFO-025	1"	DN20 PN16	DN20 PN16	16	/	/	/	50	210	170	/	25	23	35	65	90	14	11	4-Φ12
KRXHRFO-032	1-1/4"	DN25 PN16	DN25 PN16	20	/	/	/	121	259	216	/	30	32	45	75	100	16	13	4-Φ14
KRXHRFO-040	1-1/2"	DN32 PN16	DN32 PN16	25	/	/	/	147	297	221	/	33	36	50	85	115	16	13	4-Φ14
KRXHRFO-050	2"	DN32 PN16	DN32 PN16	32	10	47	120	145	290	230	215	35	45	60	95	125	16	16	4-Φ14
KRXHRFO-065	2-1/2"	DN40 PN16	DN40 PN16	40	14	60	135	165	332	262	240	35	60	75	110	140	18	19	4-Φ14
KRXHRFO-080	3"	DN50 PN16	DN50 PN16	56	14	75	155	180	400	325	305	40	75	90	130	160	20	23	6-Φ14
KRXHRFO-090	3-1/2"	DN65 PN16	DN65 PN16	61	14	71	155	195	377	300	277	36	84	100	150	180	20	25	8-Φ14
KRXHRFO-100	4"	DN65 PN16	DN65 PN16	73	14	82	155	195	405	332	282	36	96	120	160	200	22	25	8-Φ16
KRXHRFO-125	5"	DN80 PN16	DN80 PN16	94	16	100	190	220	475	390	325	36	123	150	190	230	22	32	6-Φ18

KRHG Series Rotary Joints

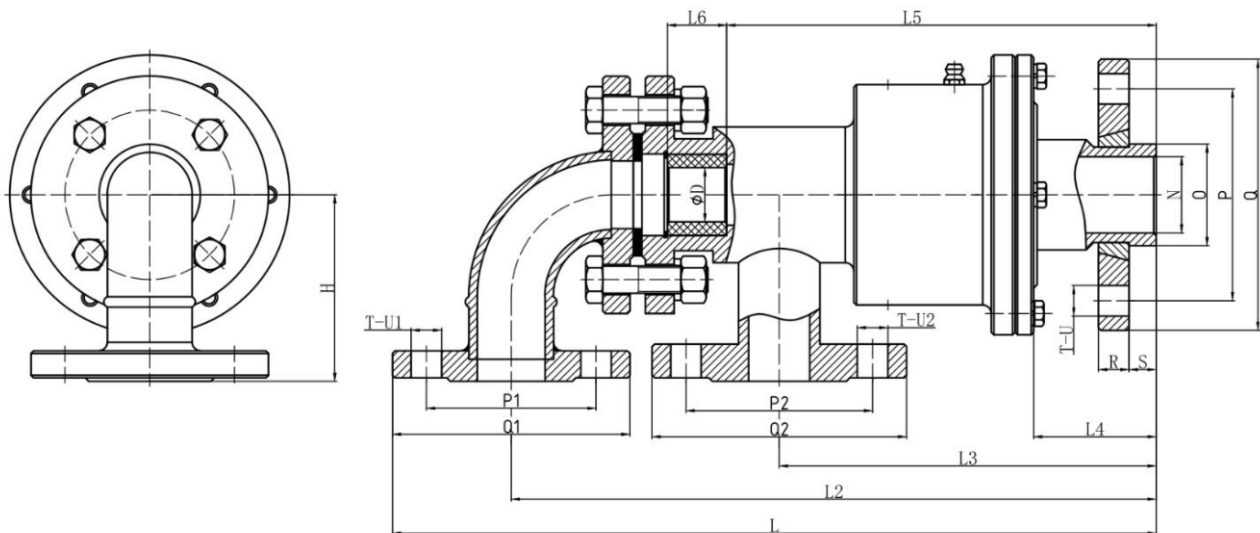
Applicable medium	Temperature	Max pressure	Max Rotary Speed
Heat Transfer oil	220°C	1.0Mpa	200RPM



Product Features

- ▲ Balanced sealing design;
- ▲ High precision metal bearings self support;
- ▲ Various sealing combinations are suitable for different working conditions.

Dimension



Model selection table

Size	D	L	L2	L3	L4	L5	L6	H	N	O	P	Q	R	S	T-U	P1	Q1	T-U1	P2	Q2	T-U2	
050	2"	32	420	357	217	75	253	35	120	45	60	125	160	18	16	4-Φ18	100	130	4-Φ18	110	145	4-Φ18
065	2-1/2"	40	/	/	/	/	/	/	60	75	145	180	18	16	4-Φ18	110	140	4-Φ18	125	160	4-Φ18	
080	3"	50	554	471	257	80	306	40	130	70	90	160	195	20	18	8-Φ18	125	160	4-Φ18	145	180	4-Φ18
100	4"	60	632	542	322	80	375	30	160	98	114	180	215	22	18	8-Φ22	145	180	4-Φ18	160	195	4-Φ18
125	5"	80	650	535	315	85	/	/	180	120	144	210	245	24	20	8-Φ22	160	195	4-Φ18	160	195	4-Φ18
150	6"	90	795	615	355	100	/	/	120	150	175	240	280	28	22	8-Φ22	190	230	8-Φ18	190	230	8-Φ18

KRXE Series Rotary Joints



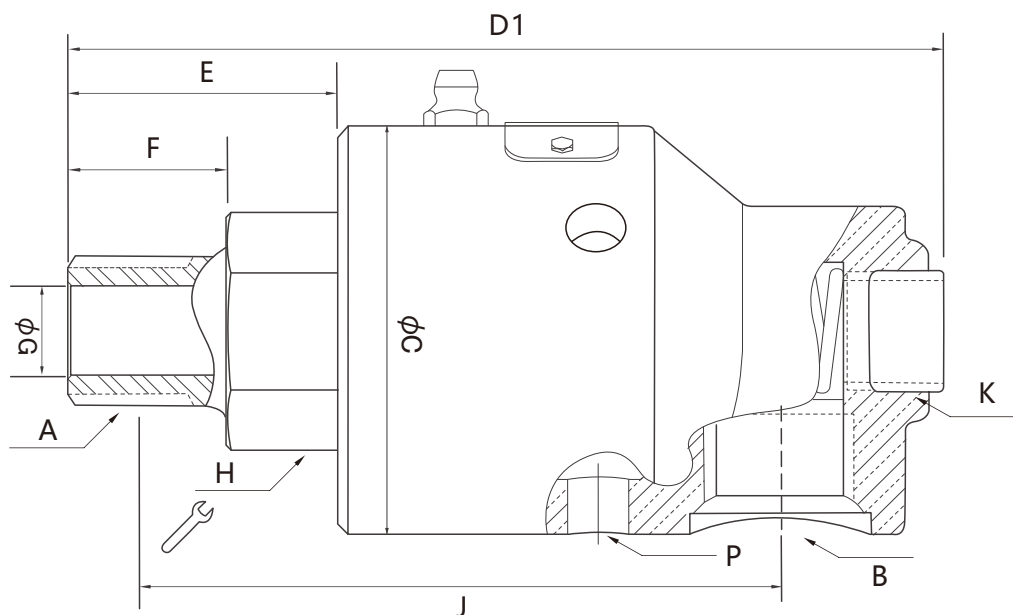
Applicable medium	Temperature	Max pressure	Max Rotary Speed
Cooling water	90°C	1.0Mpa	3500RPM
Hot water	120°C	1.0Mpa	1500RPM
Heat transfer oil	180°C	0.6Mpa	1000RPM

Note: With the change of medium/diameter/pressure/speed/temperature, its use limitation is also different. Use in special conditions, please contact with Moflon, the safety limitation has been determined

Product Features

- ▲ Supported by two precision imported deep groove ball bearings, rotation is stable;
- ▲ The brass shell and stainless steel outer tube are corrosion-resistant and can be used in complex working conditions for a long time;
- ▲ Combination of fine ceramic material and carbon sealing ring, with high speed and low torque performance;
- ▲ The balanced mechanical seal design structure reduces the impact of pressure change load on the sealing surface and prolongs the service life.

Single channel

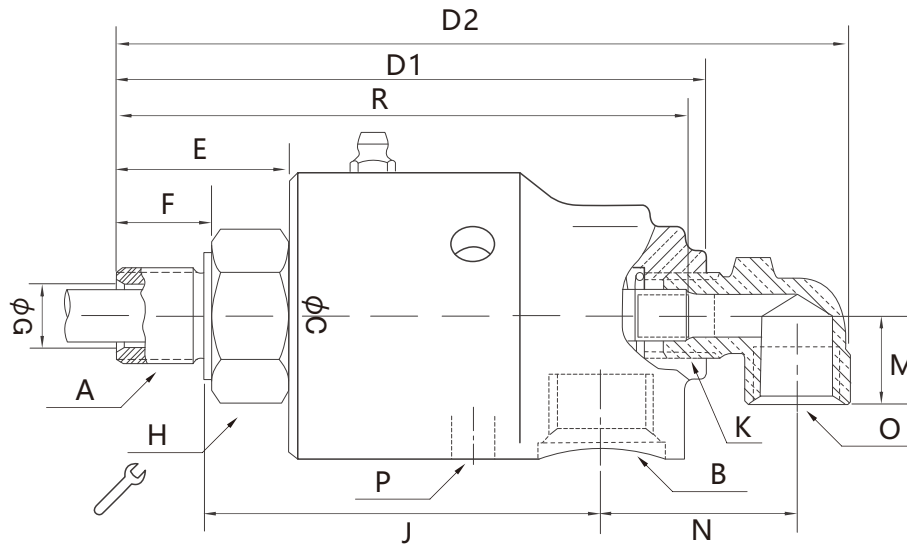


Single channel model selection table

DN	A	B	C	D1	E	F	G	H	J	K	P	KG
10	R3/8"	Rc3/8"	Φ45	100	26	16	Φ9.5	22	64	Rc1/4"	Φ8.6(3x120°)	0.6
15	R1/2"	Rc1/2"	Φ57	119	35	19	Φ12.7	30	79	Rc3/8"	Φ8.6(3x120°)	1.2
20	R3/4"	Rc3/4"	Φ73	136	34	19	Φ17.5	36	95	Rc1/2"	Φ8.6(3x120°)	2.1
25	R1"	Rc1"	Φ83	163	42	22	Φ25	36	108	Rc3/4"	Φ8.6(3x120°)	3.1
32	R1-1/4"	R1-1/4"	Φ91	189	54	28	Φ31.8	46	119	Rc1"	Φ8.6(3x120°)	4.1
40	R1-1/2"	Rc1-1/2"	Φ108	228	72	29	Φ38	55	149	Rc1-1/4"	Φ8.6(3x120°)	6.7
50	R2"	Rc2"	Φ118	248	65	29	Φ47.6	60	165	Rc1-1/4"	Φ8.6(3x120°)	7.6

Note: With the difference of medium, caliber, pressure, rotating speed and temperature, the use limitation will also be different. Under special conditions, please contact Moflon Technology Co., Ltd. to determine the safety limitation.

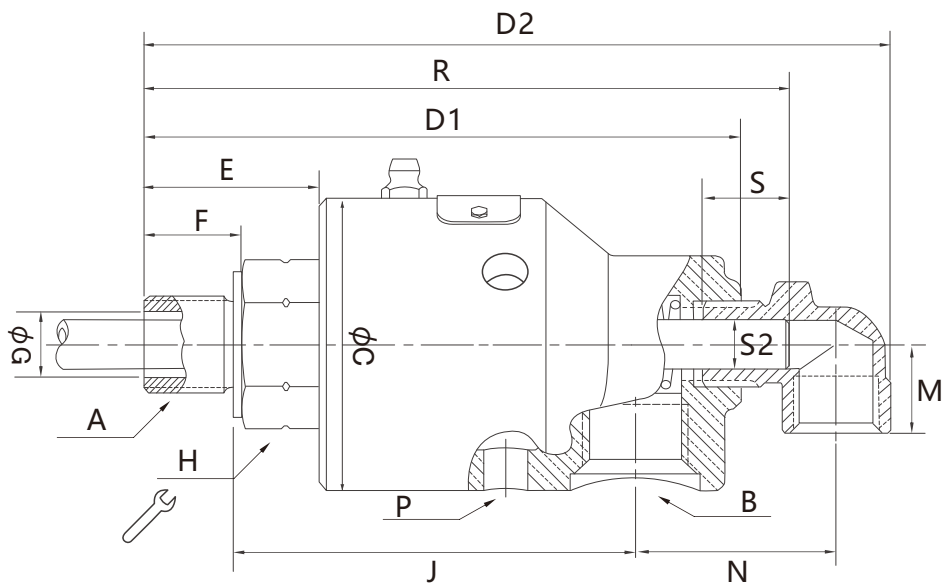
Two-channel (static inner tube)



Two-channel (static inner tube) Model selection table

DN	A	B	O	C	D1	D2	E	F	G	H	J	P	K	M	N	R
10	R3/8"	Rc3/8"	Rc1/4"	Φ45	100	124	26	16	Φ9.5	22	64	Φ8.6(3x120°)	Rc1/4"	18	36	99
15	R1/2"	Rc1/2"	Rc3/8"	Φ57	119	147	35	19	Φ12.7	30	79	Φ8.6(3x120°)	Rc3/8"	18	40	118
20	R3/4"	Rc3/4"	Rc1/2"	Φ73	136	171	34	19	Φ17.5	36	95	Φ8.6(3x120°)	Rc1/2"	26	46	137
25	R1"	Rc1"	Rc1/2"	Φ83	163	200	42	22	Φ25	36	108	Φ8.6(3x120°)	Rc3/4"	28	59	161
32	R1-1/4"	Rc1-1/4"	Rc3/4"	Φ91	189	234	54	28	Φ31.8	46	119	Φ8.6(3x120°)	Rc1"	35	72	186
40	R1-1/2"	Rc1-1/2"	Rc3/4"	Φ108	228	270	72	29	Φ38	55	149	Φ8.6(3x120°)	Rc1-1/4"	38	76	223
50	R2"	Rc2"	Rc1-1/4"	Φ118	248	312	65	29	Φ47.6	60	165	Φ8.6(3x120°)	Rc1-1/4"	45	96	252

Two-channel (rotary inner tube)



Two-channel (static inner tube) model selection table

DN	A	B	O	C	D1	D2	E	F	G	H	J	P	K	M	N	R	S2
10	R3/8"	Rc3/8"	Rc1/4"	Φ45	100	124	26	16	Φ9.5	22	64	Φ8.6(3x120°)	Rc1/4"	18	36	103	5.8
15	R1/2"	Rc1/2"	Rc3/8"	Φ57	119	147	35	19	Φ12.7	30	79	Φ8.6(3x120°)	Rc3/8"	18	40	124	9.8
20	R3/4"	Rc3/4"	Rc1/2"	Φ73	136	171	34	19	Φ17.5	36	95	Φ8.6(3x120°)	Rc1/2"	26	46	143	12.8
25	R1"	Rc1"	Rc1/2"	Φ83	163	200	42	22	Φ25	36	108	Φ8.6(3x120°)	Rc3/4"	28	59	171	15.8
32	R1-1/4"	Rc1-1/4"	Rc3/4"	Φ91	189	234	54	28	Φ31.8	46	119	Φ8.6(3x120°)	Rc1"	35	72	196	21.8
40	R1-1/2"	Rc1-1/2"	Rc3/4"	Φ108	228	270	72	29	Φ38	55	149	Φ8.6(3x120°)	Rc1-1/4"	38	76	238	25.8
50	R2"	Rc2"	Rc1-1/4"	Φ118	248	312	65	29	Φ47.6	60	165	Φ8.6(3x120°)	Rc1-1/4"	45	96	253	31.8

HYDRAULIC OIL SERIES



KMT Series Hydraulic swivel joints

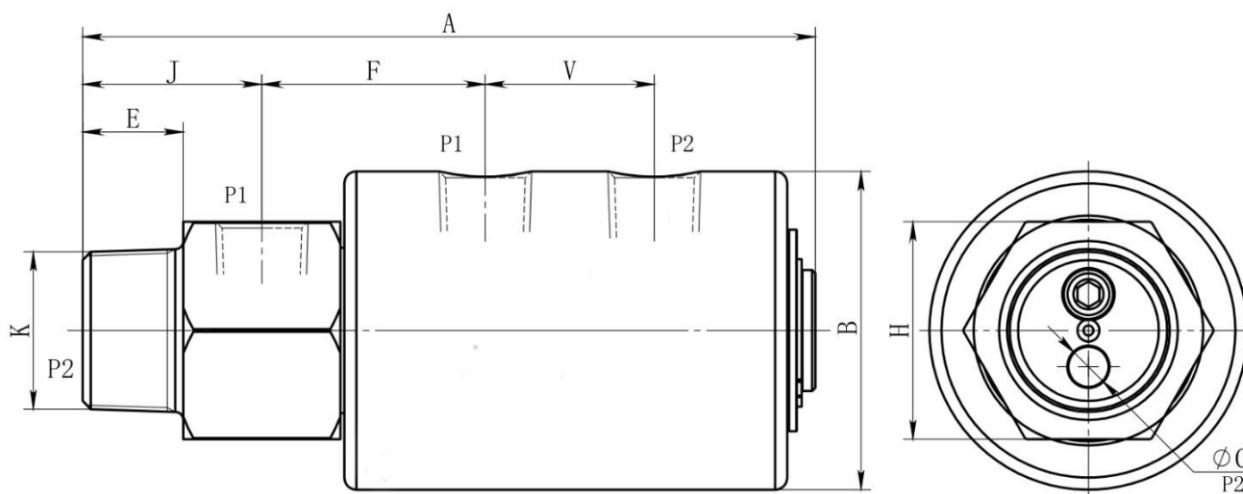
Applicable medium	Temperature	Max pressure	Max Rotary Speed
Compressed air	-30~+80°C	1.1Mpa	300RPM
Hydraulic oil Series			



Product Features

- ▲ Two wide precision bearings support, ensuring smooth operation and lifelong maintenance free bearing;
- ▲ Imported specialized sealing components ensure longevity and destiny;
- ▲ Specially treated core shaft to ensure sufficient wear resistance;
- ▲ The shell is made of aluminum alloy;
- ▲ Special products can be customized according to customer conditions.

Dimension



Types of	DN	Model	k	P1/P2	A	B	C	E	J	F	V	H
KMT02	20	KMT02020.01	R3/4"-RH	Rc3/8"	155	69	6	22	38	47	34	46
	25	KMT02025.01	R1"-RH	Rc3/8"	155	69	8	22	38	47	34	46
	32	KMT02032.01	R1"-1/4"-RH	Rc1/2"	182	79	12	25	45	56	42	54
	40	KMT02040.01	R1"-1/2"-RH	Rc3/4"	193	88	15	28	4	57	44	65

KK Series Rotary Joints

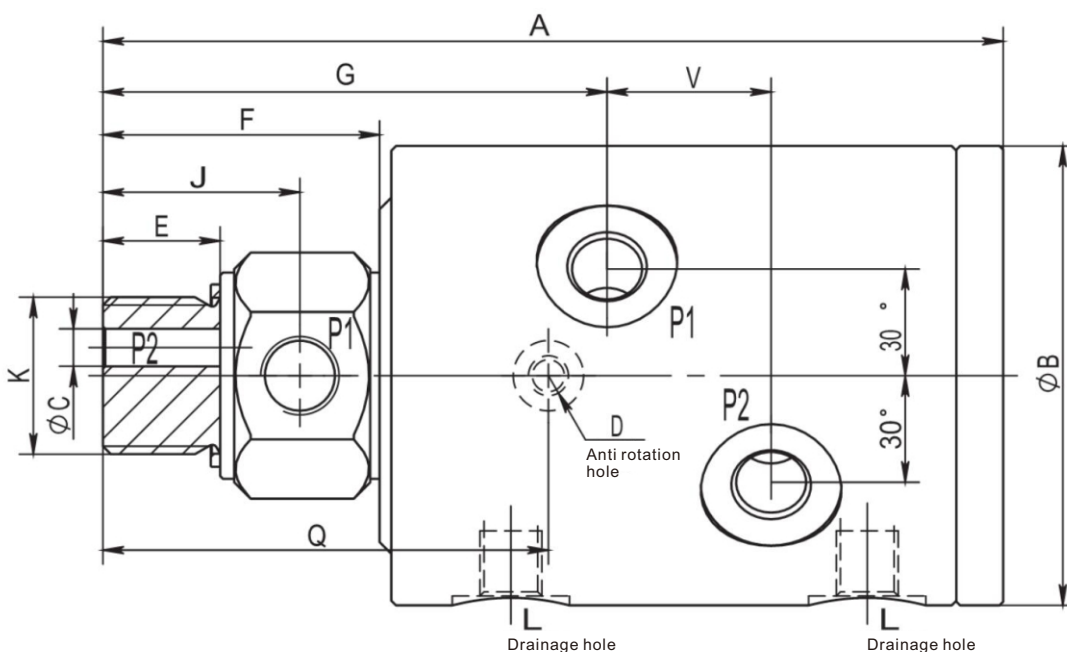


Applicable medium	Temperature	Max pressure	Max Rotary Speed
Hydraulic oil Series	-30°C~+80°C	30Mpa	6500R/min

Product Features

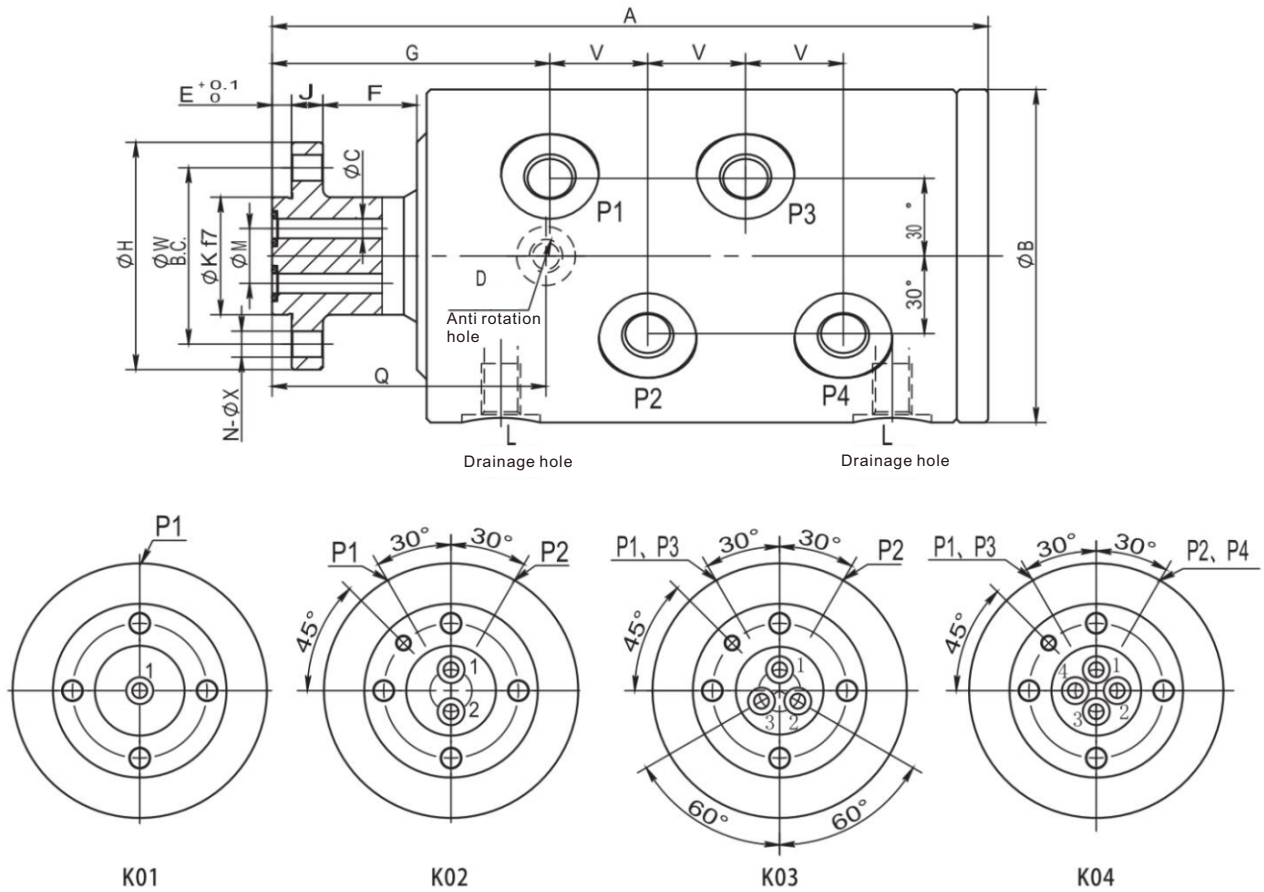
- ▲ Two wide and high-precision bearings support smooth operation, and the bearings require no maintenance for life;
- ▲ High speed and high pressure gap sealing structure, without contact and wear of sealing rings, ensuring long-term trouble-free operation of the product;
- ▲ Lower rotational torque;
- ▲ Adopting hydraulic oil film structure, the friction heat is low during high-speed operation;
- ▲ The rotational torque is not affected by working pressure and temperature;
- ▲ Wide speed working range, with a maximum speed of up to 6500RPM;
- ▲ Drainage hole design to prevent leakage to the external environment;
- ▲ Customizable products for customers;

Dimension



Model selection table

Types of	DN	Model	K	P	A	B	C	Q	D	E	F	G	V	J	L
KKT02	8	KKT02008.03	G3/4"-RH	2-G1/4"	148	85	6	85	M8	20	52	86	25	36.5	2-G1/8"
	10	KKT02010.03	G1"-RH	2-G3/8"	192	98	8	95	M8	25	59	107.5	35	42	2-G1/4"
	15	KKT02015.03	G1-1/4"-RH	2-G1/2"	229	98	12	107	M8	25	71	127	45	48	2-G1/4"



Model selection table																			
Types of	DN	Model	K	P	A	B	C	M	Q	D	E	F	G	V	H	J	L	N-X	W
KK01	8	KK01008	45	G1/4"	118	85	5	/	70	M8	5	24	76	/	58	8	2-G1/8"	4-6.6	45
	10	KK01010	45	G3/8"	121	85	8	/	70	M8	5	24	77.5	/	58	8	2-G1/8"	4-6.6	45
	15	KK01015	45	G1/2"	128	85	12	/	72	M8	5	24	82	/	58	10	2-G1/8"	4-6.6	45
KK02	8	KK02008	30	2-G1/4"	133	85	5	14	70	M8	5	24	71	25	58	8	2-G1/8"	4-6.6	45
	10	KK02010	40	2-G3/8"	182	98	8	20	85	M8	5	32	97.5	35	75	12	2-G1/4"	4-9	60
	15	KK02015	55	2-G1/2"	227	115	12	25	100	M12	5	36	120	40	95	15	2-G3/8"	6-9	75
	20	KK02020	65	2-G3/4"	250	135	16	30	105	M12	5	37	126	50	115	15	2-G3/8"	6-14	90
	25	KK02025	80	2-G1"	274	165	20	42	105	M12	5	44.5	127	76	155	15	2-G1/2"	6-14	130
KK03	8	KK03008	30	3-G1/4"	158	85	5	14	70	M8	5	24	71	25	58	8	2-G1/8"	4-6.6	45
	10	KK03010	40	3-G3/8"	217	98	8	20	85	M8	5	32	97.5	35	75	12	2-G1/4"	4-9	60
	15	KK03015	55	3-G1/2"	267	115	12	25	100	M12	5	36	120	40	95	15	2-G3/8"	6-9	75
KK04	8	KK04008	30	4-G1/4"	183	85	5	14	70	M8	5	24	71	25	58	8	2-G1/8"	4-6.6	45
	10	KK04010	40	4-G3/8"	252	98	8	20	85	M8	5	32	97.5	35	75	12	2-G1/4"	4-9	60
	15	KK04015	65	4-G1/2"	307	125	12	32	100	M12	5	36	119	40	105	15	2-G3/8"	6-9	85
KK06	8	KK06008	125	6-G1/4"	232	90	4	26	75.5	3-M8	12	7	65	22	/	/	2-G1/4"	6-6.3	108

KM Series Rotary Joints

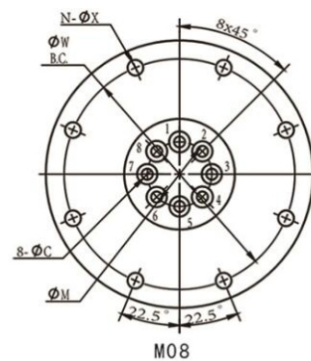
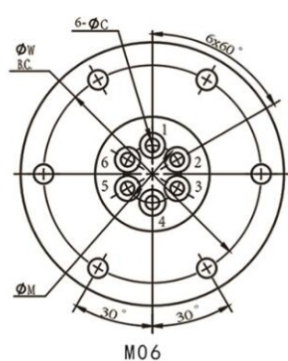
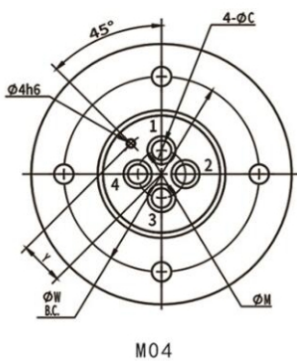
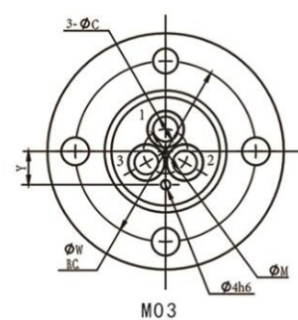
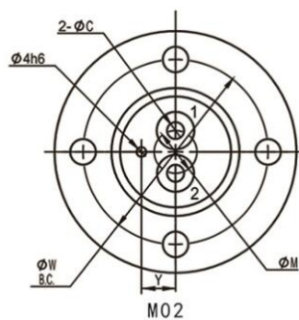
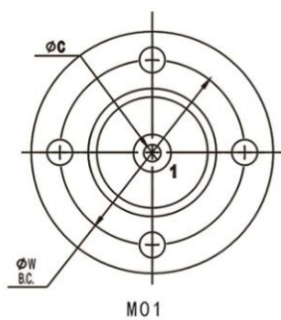
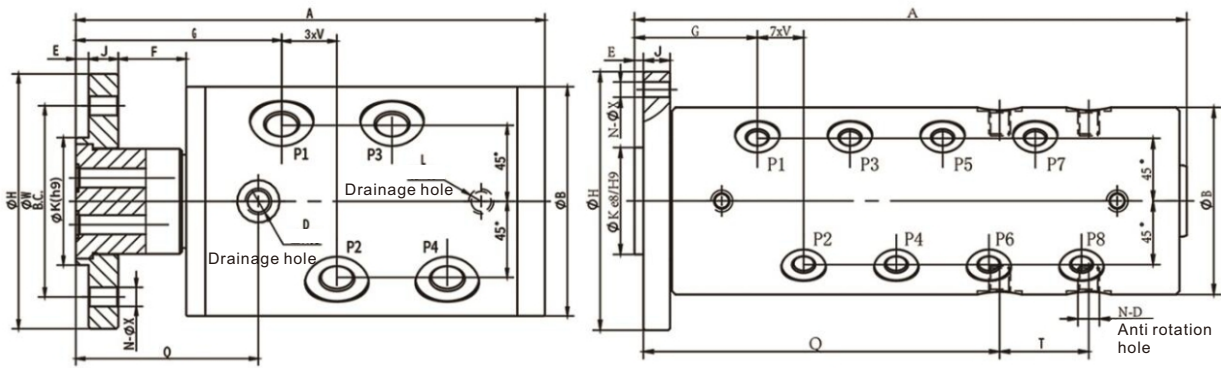
Applicable medium	Temperature	Max pressure	Max Rotary Speed
Hydraulic oil	-30°C~+80°C	30Mpa	3000R/min



Product Features

- ▲ Two wide and high-precision bearings support smooth operation, and the bearings require no maintenance for life;
- ▲ Imported specialized sealing components ensure longevity and destiny;
- ▲ After special treatment, the core shaft ensures sufficient wear resistance;
- ▲ The shell can be made of aluminum alloy, carbon steel, stainless steel, or brass;
- ▲ Independent drainage hole design to prevent leakage to the external environment;
- ▲ Special products can be customized according to customer conditions.

Dimension



Model selection table

Types of	DN	Model	K	P	A	B	C	M	Q	D	E	F	G	V	H	J	L	N-X	W
KM01	15	KM01015	40	G1/2"	127	78	13	/	70	2-M8	5	30	85	/	80	10	Rc1/8"	4-9	60
	20	KM01020	45	G3/4"	135	82	16	/	75	2-M8	5	29	90	/	85	12	Rc1/8"	4-9	65
	25	KM01025	45	G1"	147	90	22	/	80	2-M12	5	29	98	/	85	12	Rc1/8"	4-9	65
	32	KM01032	55	G1-1/4"	164	108	30	/	86	2-M12	6	32	107	/	110	14	Rc1/8"	4-9	80
KM02	08	KM02008	45	2-G1/4"	145	83	6	14	65	2-M8	5	28	84	22	85	12	Rc1/8"	4-9	65
	10	KM02010	45	2-G3/8"	155	90	9	15	70	2-M12	5	30	91	24	85	12	Rc1/8"	4-9	65
	15	KM02015	55	2-G1/2"	180	108	12	20	76	2-M12	6	32	100	30	110	16	Rc1/8"	4-9	80
	20	KM02020	70	2-G3/4"	225	155	16	30	110	2-M16	5	38	124	36	125	12	Rc1/4"	6-14	100
KM03	08	KM03008	45	3-G1/4"	169	83	6	14	70	2-M8	5	29	86	22	85	12	Rc1/8"	4-9	65
	10	KM03010	45	3-G3/8"	177	90	9	16	80	2-M12	5	30	91	23	85	14	Rc1/8"	4-9	65
	15	KM03015	60	3-G1/2"	209	108	12	20	86	2-M12	6	33	100	30	120	12	Rc1/8"	4-9	90
KM04	08	KM04008	45	4-G1/4"	178	90	6	18	80	2-M12	5	28	86.5	18	85	12	Rc1/8"	4-9	65
	10	KM04010	60	4-G3/8"	221	108	9	22	86	2-M12	6	32	97	26	120	14	Rc1/8"	4-9	90
	15	KM04015	75	4-G1/2"	245	115	12	29	91	2-M12	6	31	104	30	130	16	Rc1/8"	4-9	110
KM06	06	KM06006	50	6-G1/8"	208	78	6	25	85	4-M10	5	/	62	20	115	14	/	6-8.5	95
	08	KM06008	50	6-G1/4"	232	78	6	25	85	4-M10	5	/	64	24	115	14	/	6-8.5	95
	10	KM06010	70	6-G3/8"	270	105	9	35	170	4-M12	5	/	70	28	145	15	/	6-8.5	125
	15	KM06015	80	6-G1/2"	300	118	12	40	205	4-M12	5	/	77	32	165	20	/	6-13.5	145
KM08	06	KM08006	60	8-G1/8"	278	105	6	35	175	4-M12	5	/	67	22	145	15	/	8-8.5	125
	08	KM08008	60	8-G1/4"	310	105	6	35	205	4-M12	5	/	69	26	145	15	/	8-8.5	125
	10	KM08010	70	8-G1/8"	330	115	9	45	225	4-M12	5	/	73	28	155	15	/	8-8.5	135

KBP Series Multi-channel Mechanical Seal Rotary Joints



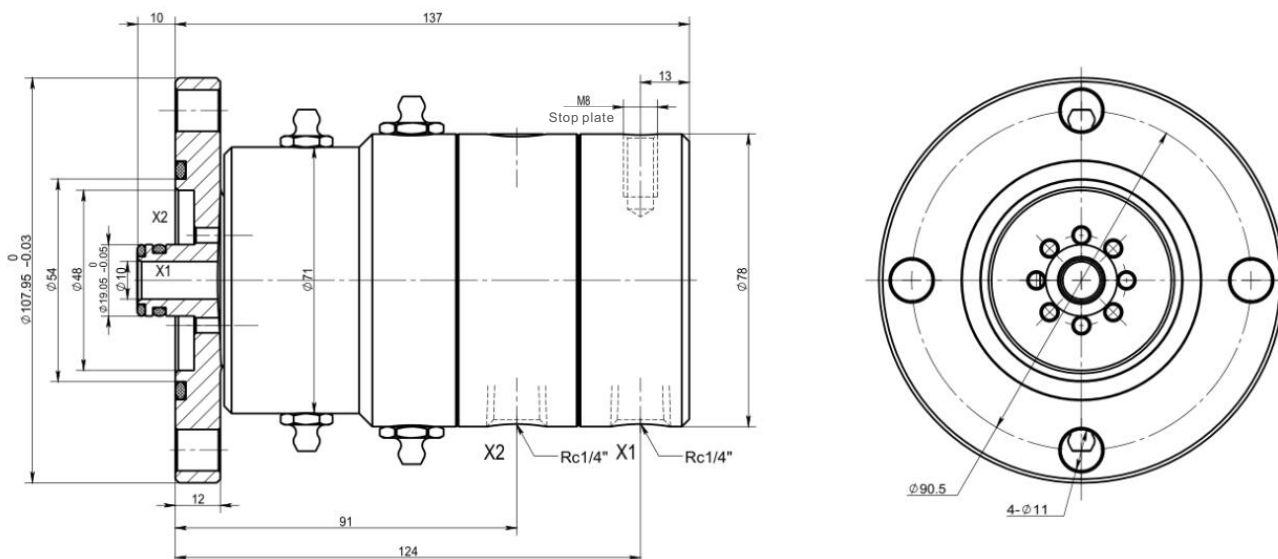
Applicable medium	Temperature	Max pressure	Max Rotary Speed
Water	-30~+80°C	7Mpa	3000RPM
Air			
Hydraulic oil			

Product Features

- ▲ Multi-channel mechanical seal structure can be applied to high-speed rotary compressed air equipment;
- ▲ Supported by two imported ball bearings, the rotation is stable;
- ▲ Multi-spring design structure provides stable spring force for the sealing surface;
- ▲ Balanced mechanical tight structure design, reducing the impact of pressure change load on the sealing surface and prolonging the service life;
- ▲ There is an observation hole in the shell, which can observe the leakage and friction.

IMPORTANT NOTICE

1. Please read the order instructions when ordering, and indicate the working medium and pressure of each channel;
2. After installation, it must be ensured that one leakage hole is vertically downward;
3. The pressure of X1 channel should not be larger than the pressure of X2 channel 04Mpa.



K380 Series Rotary Joints

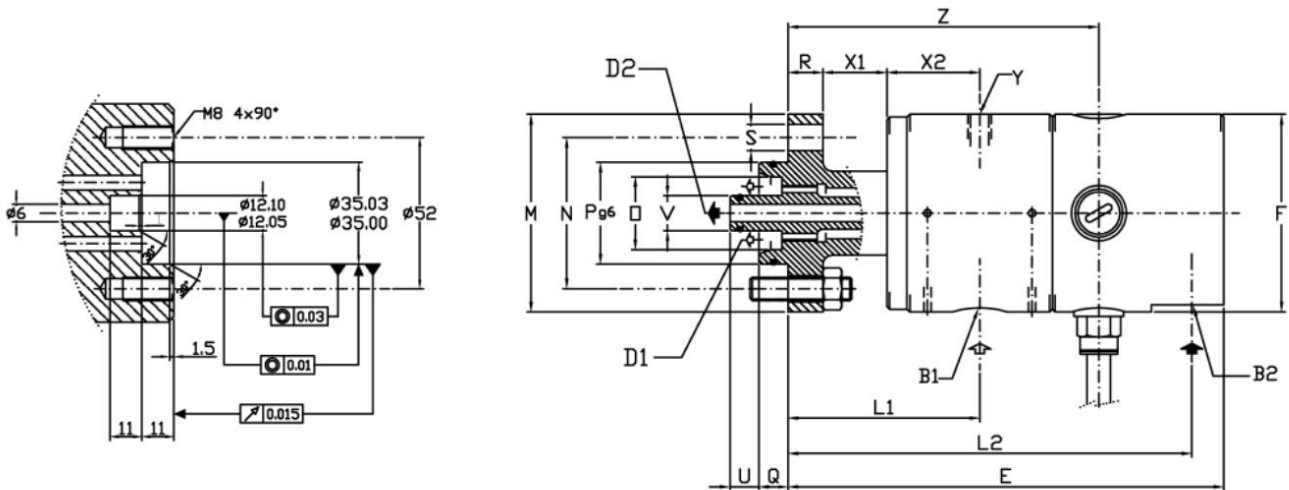
throughfare	Applicable medium	Max pressure	Max pressure	Temperature
B1 channel	Hydraulic oil	70bar	5bar/5000rpm 70bar/10rpm	90°C
B2 channel	Coolant	40bar	5000rpm	
	Capable of dry conversion	/		



Product Features

- ▲ Multi channel mechanical seal structure, suitable for high-speed rotating compressed air equipment;
- ▲ Two imported ball bearings support and rotate smoothly;
- ▲ Multi spring design structure provides stable spring force for the sealing surface;
- ▲ Balanced mechanical sealing design, reducing the impact of pressure changes and loads on the sealing surface, and extending the service life;
- ▲ The shell is equipped with observation holes to observe leakage and friction.

Dimension



Dual channel using two different fluids

Model	B1-B2	D1	D2	E	φF	L1	L2	φM	φN	φO	φPg6	Q	R	φS	U	φV	X1	X2	Y	Z	Kg
K380-105-06F	G1/4"	40mm ²	φ6 28mm ²	150	68	66	139	68	52	25	35	10	12	94x90°	10	12	22	32	M8	107	1.5

KBE Series Rotary joints

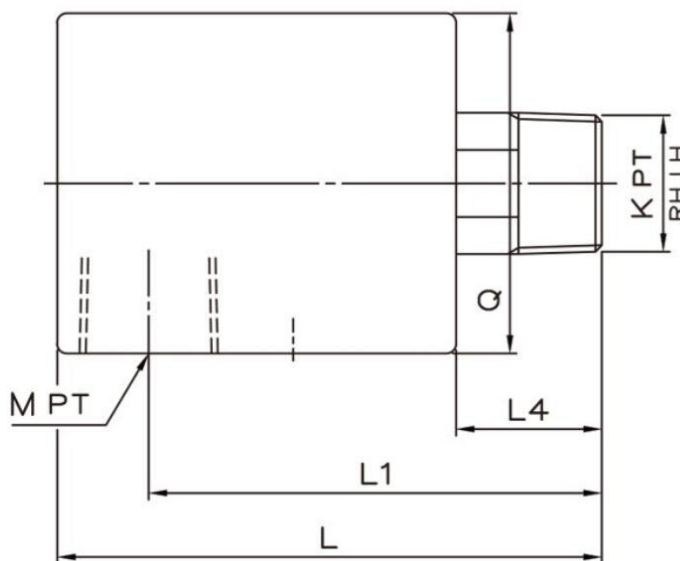
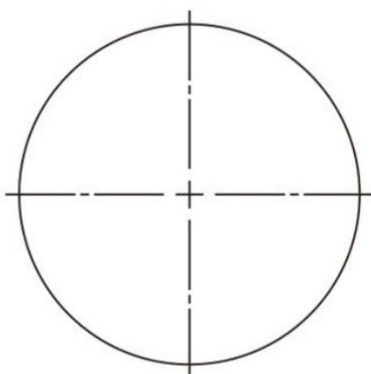


Applicable medium	Temperature	Max pressure	Max Rotary Speed
Water	-30~80°C	1.0Mpa	3000RPM
Air			
Coolant			

Product Features

- ▲ Balanced mechanical air seal design, using stainless steel springs to compensate for wear and tear, longer life cycle;
- ▲ The sealing material is a wear-resistant tungsten carbide material imported from Germany to ensure high quality and high pressure resistance;
- ▲ Double bearings, using imported bearings to ensure that the deflection and clearance are in the ideal range at high speeds;
- ▲ The stainless steel shaft is heat-treated and ground to ensure rigidity without deformation for a long time and no eccentric force;
- ▲ A pair of friction pairs are processed by mirror grinding to ensure long life and high pressure resistance.

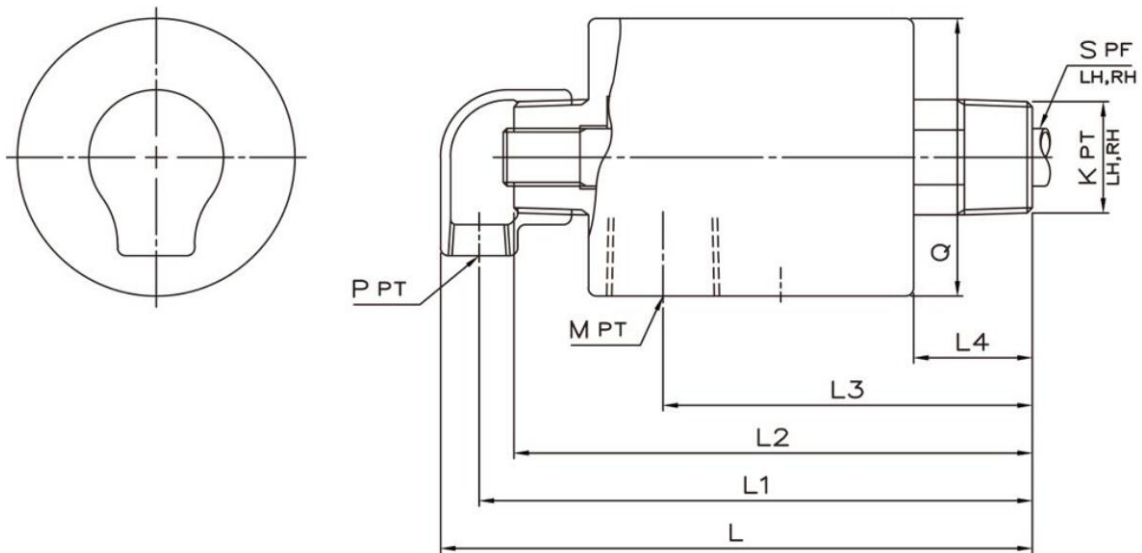
Single Channel



Single Channel Model selection table

Standard Size		K	M	L	L1	L4	Q
10A	3/8"	3/8"	3/8"	102	87	27	45
15A	1/2"	1/2"	1/2"	116	100	30	57
20A	3/4"	3/4"	3/4"	134.5	114	33	67
25A	1"	1"	1"	150	125	36	74
32A	1.1/4"	1.1/4"	1.1/4"	167	140	39	88
40A	1.1/2"	1.1/2"	1.1/2"	182	148	42	93

Two-Channel



Two-Channel Model Selection table

Standard Size		K	M	P	S	L	L1	L2	L3	L4	Q
10A	3/8"(B)	3/8"	1/4"	1/4"	7	136	126	115	86	27	45
15A	1/2"(B)	1/2"	3/8"	3/8"	1/8"	157	145.5	131	100	30	57
20A	3/4"(B)	3/4"	1/2"	1/2"	1/4"	179	165	148	112	33	67
25A	1"(B)	1"	1/2"	1/2"	3/8"	192	178	157	120	36	74
32A	1.1/4"	1.1/4"	3/4"	3/4"	1/2"	216	199	175	132	39	88
40A	1.1/2"(B)	1.1/2"	1"	1"	3/4"	235	214	189	140	42	93

KC Series High pressure rotary joints

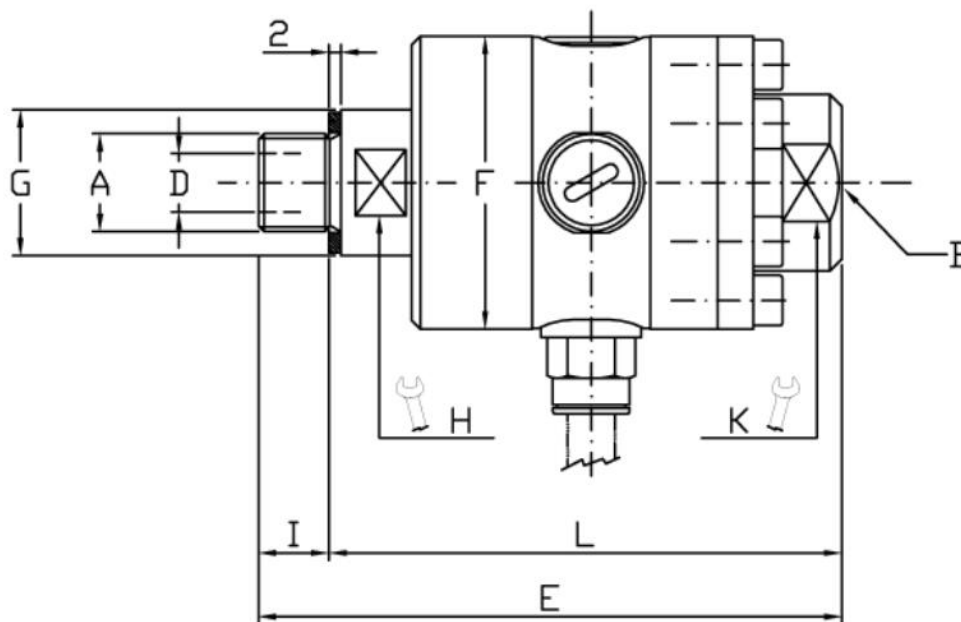
Applicable medium	Temperature	Max pressure	Max Rotary Speed
Water	90°C	1/4"-1/2"(400bar)	1/4"-1/2"(1500RPM)
Hydraulic oil		3/4"(250bar)	3/4"(800RPM)



Product Features

- ▲ Balanced mechanical air seal design, using stainless steel springs to compensate for wear and tear, longer life cycle;
- ▲ The sealing material is a wear-resistant tungsten carbide material imported from Germany to ensure high quality and high pressure resistance;
- ▲ Double bearings, using imported bearings to ensure that the deflection and clearance are in the ideal range at high speeds;
- ▲ The stainless steel shaft is heat-treated and ground to ensure rigidity without deformation for a long time and no eccentric force;
- ▲ A pair of friction pairs are processed by mirror grinding to ensure long life and high pressure resistance.

Dimension



Model Selection table

Model	A	B	φD	E	φF	G	H	K	I	L	Kg
KC08-1301-01R	G1/4" RH	G1/4"	7	99	49.5	19.8	17	27	12	87	0.8
KC10-1301-01R	G3/8" RH	G3/8"	9	99	49.5	24.5	22	27	12	87	0.8
KC15-1301-01R	G1/2" RH	G1/2"	12	106	49.5	27.5	24	27	14	92	0.8
KC20-1301-01R	G3/4" RH	G3/4"	18	120	74	34.5	28	68	16	104	2.3

KMD Series Hydraulic swivel joints

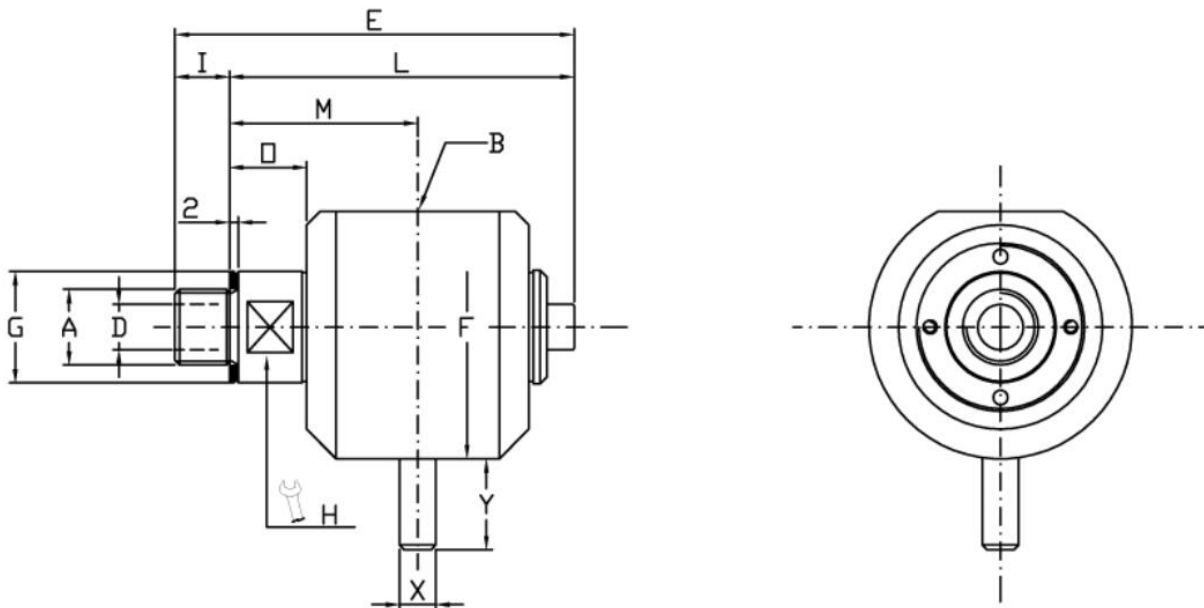
Applicable medium	Temperature	Max pressure	Max Rotary Speed
Air	10bar	90°C	300RPM
Hydraulic oil	300bar		



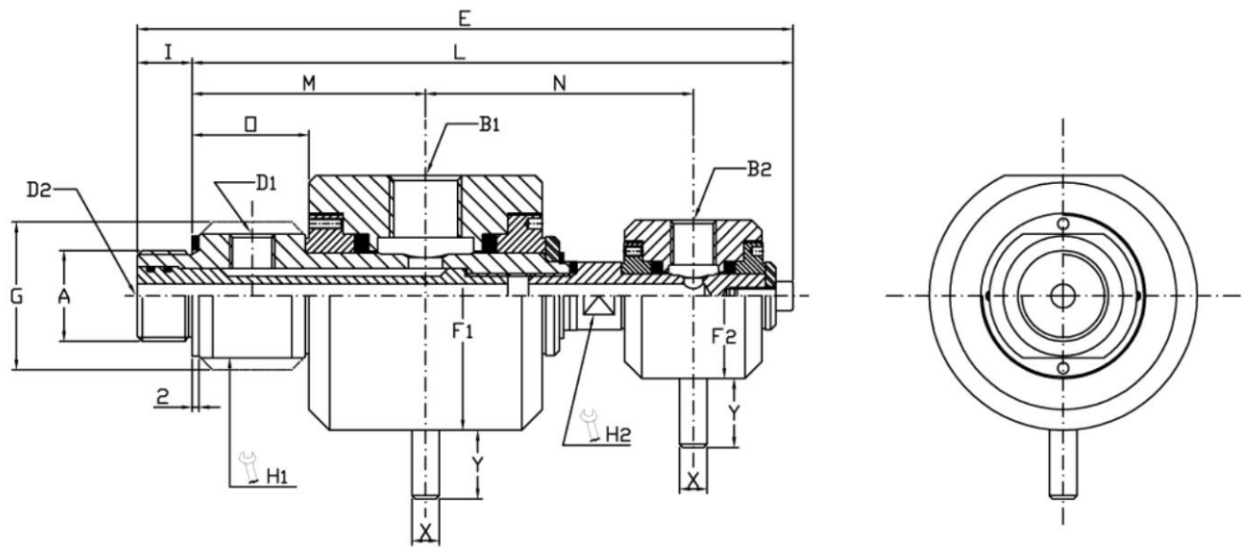
Product Features

- ▲ Balanced mechanical air seal design, using stainless steel springs to compensate for wear and tear, longer life cycle;
- ▲ The sealing material is a wear-resistant tungsten carbide material imported from Germany to ensure high quality and high pressure resistance;
- ▲ Double bearings, using imported bearings to ensure that the deflection and clearance are in the ideal range at high speeds;
- ▲ The stainless steel shaft is heat-treated and ground to ensure rigidity without deformation for a long time and no eccentric force;
- ▲ A pair of friction pairs are processed by mirror grinding to ensure long life and high pressure resistance.

Dimension



Model	A	B	φD	E	φF	φG	H	I	L	M	O	X	Y	Kg
KM108-1000-01R	G1/4"RH	G1/4"	7	77	48	19.5	17	12	65	36	16	8	20	0.4
KM110-1000-01R	G3/8"RH	G3/8"	10	88	58	24.5	22	12	76	41.5	17	8	20	0.5
KM115-1000-01R	G1/2"RH	G1/2"	12	88	58	27.5	24	14	74	39.5	15	8	20	0.5
KM120-1000-01R	G3/4"RH	G3/4"	17.5	119	78	34.5	28	16	103	56	22	8	20	0.3



Model Selection table

Model	A	B1	B2	D1	$\phi D2$	E	$\phi F1$	$\phi F2$	ϕG	H1	H2	I	L	M	N	O	X	Y	Kg
KM120-1002-11R	G3/4"RH	G1/2"	G1/4"	G1/4"	7	191	78	48	43	38	17	16	175	68	78	34	8	20	1.3



COOLANT SERIES

KBP Series Multi-channel Mechanical Seal Rotary Joints



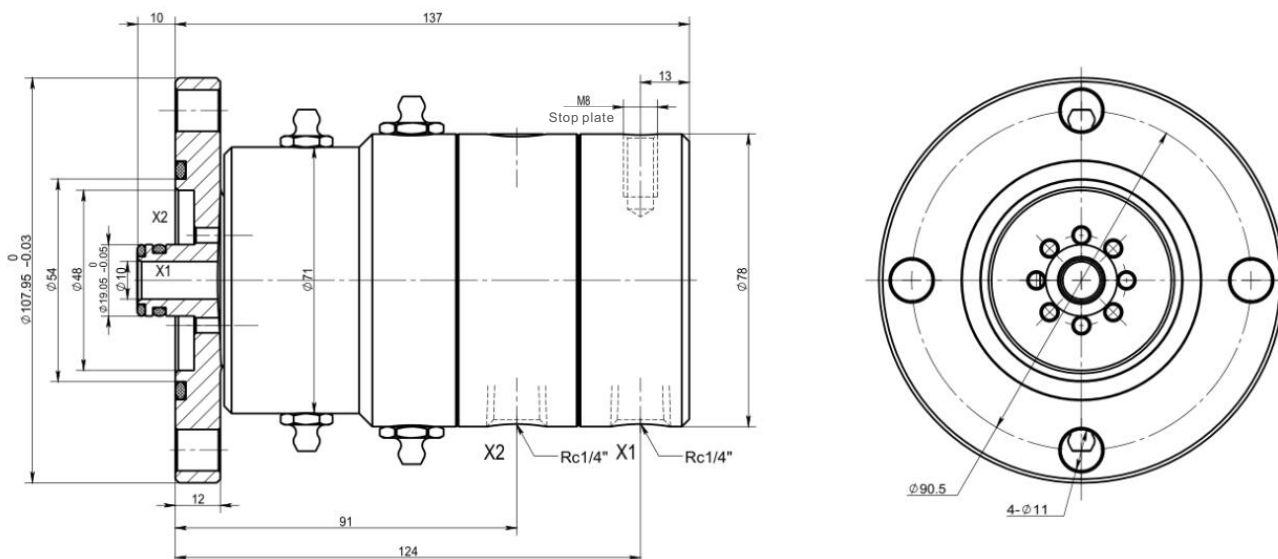
Applicable medium	Temperature	Max pressure	Max Rotary Speed
Water	-30~+80°C	7Mpa	3000RPM
Air			
Hydraulic oil			

Product Features

- ▲ Multi-channel mechanical seal structure can be applied to high-speed rotary compressed air equipment;
- ▲ Supported by two imported ball bearings, the rotation is stable;
- ▲ Multi-spring design structure provides stable spring force for the sealing surface;
- ▲ Balanced mechanical tight structure design, reducing the impact of pressure change load on the sealing surface and prolonging the service life;
- ▲ There is an observation hole in the shell, which can observe the leakage and friction.

IMPORTANT NOTICE

1. Please read the order instructions when ordering, and indicate the working medium and pressure of each channel;
2. After installation, it must be ensured that one leakage hole is vertically downward;
3. The pressure of X1 channel should not be larger than the pressure of X2 channel 04Mpa.



K380 Series Rotary Joints

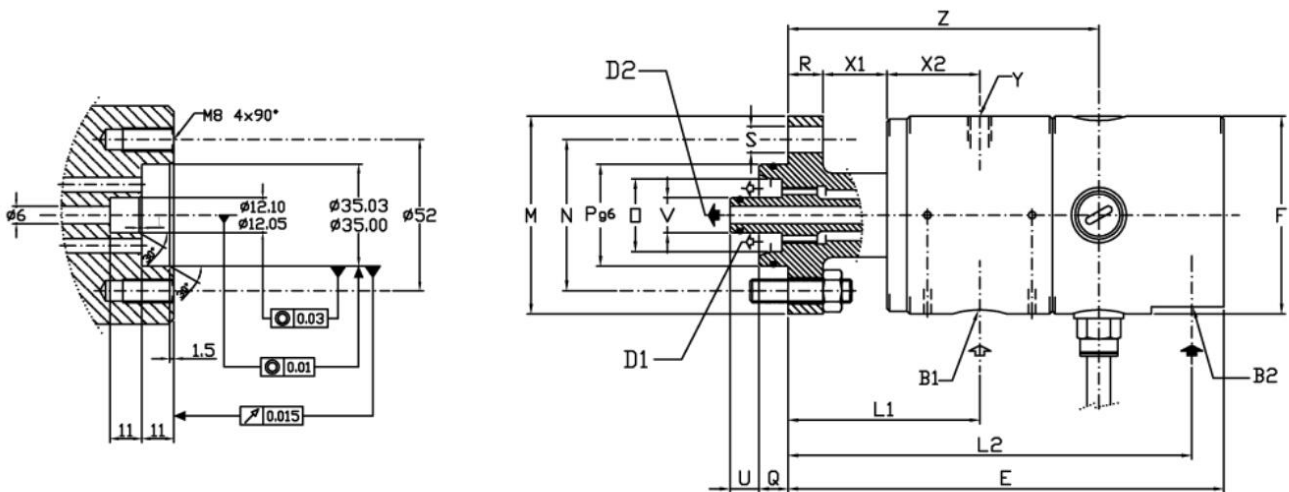
throughfare	Applicable medium	Max pressure	Max pressure	Temperature
B1 channel	Hydraulic oil	70bar	5bar/5000rpm 70bar/10rpm	90°C
B2 channel	Coolant Capable of dry conversion	40bar /	5000rpm	



Product Features

- ▲ Multi channel mechanical seal structure, suitable for high-speed rotating compressed air equipment;
- ▲ Two imported ball bearings support and rotate smoothly;
- ▲ Multi spring design structure provides stable spring force for the sealing surface;
- ▲ Balanced mechanical sealing design, reducing the impact of pressure changes and loads on the sealing surface, and extending the service life;
- ▲ The shell is equipped with observation holes to observe leakage and friction.

Dimension



Dual channel using two different fluids

Model	B1-B2	D1	D2	E	φF	L1	L2	φM	φN	φO	φPg6	Q	R	φS	U	φV	X1	X2	Y	Z	Kg
K380-105-06F	G1/4"	40mm ²	φ6 28mm ²	150	68	66	139	68	52	25	35	10	12	94x90°	10	12	22	32	M8	107	1.5

K375 Series Special rotary joint for machine tool industry

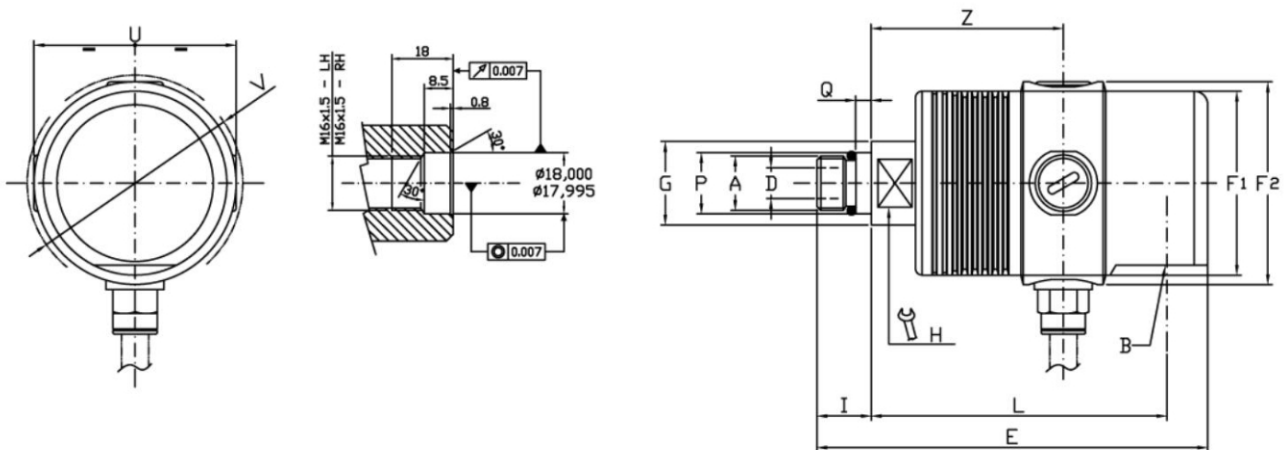


Applicable medium	Temperature	Max pressure	Max Rotary Speed
Coolant Series	90°C	100bar	20000RPM

Product Features

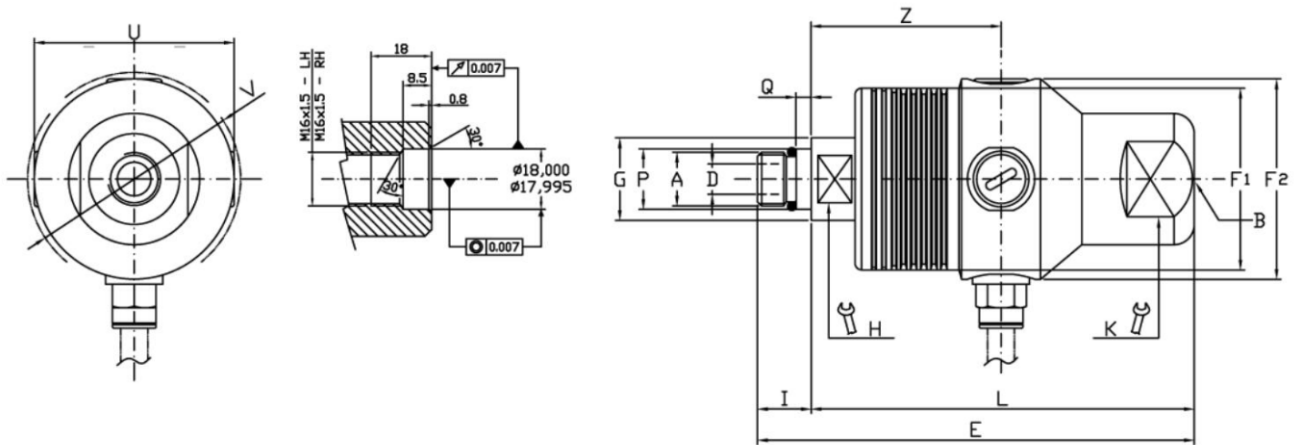
- ▲ Single channel for coolant;
- ▲ Full circulation design, without obstacles that accumulate chips or debris;
- ▲ Bearing support with threaded rotor for easy installation;
- ▲ Using labyrinth seals and large leakage ports to protect bearings;
- ▲ The balanced mechanical seal made of silicon carbide material can ensure a long service life even in harsh operating environments;
- ▲ Aluminum shell and end cover with anti-corrosion and anodizing.

Radial connection diagram



Radial connection																
Model	A	B	φD	E	φF1	φF2	φG	H	I	L	φP	Q	U	φV	Z	Kg
K375-08-1301-04R	M16x1.5RH	G1/4"	5	101	44	49	24.5	17	16	76	18	4.5	49	52	49	0.6
K375-08-1301-05L	M16x1.5LH															
K375-08-1301-04R	M16x1.5RH	G3/8"	9	115	54	59.5	24.5	17	16	87	18	4.5	59.5	63	56.5	0.8
K375-08-1301-04L	M16x1.5LH															

Axial connection diagram



Axial connection																	
Model	A	B	φD	E	φF1	φF2	φG	H	K	I	L	φP	Q	U	φV	Z	Kg
K375-08-1302-04R	M16x1.5RH	G1/4"	5	116	44	49	24.5	17	24	16	100	18	4.5	49	52	49	0.6
K375-08-1302-05L	M16x1.5LH																
K375-10-1302-04R	M16x1.5RH	G3/8"	9	130	54	59.5	24.5	17	24	16	114	18	4.5	59.5	63	56.5	0.8
K375-10-1302-04L	M16x1.5LH																

KBE Series Rotary joints

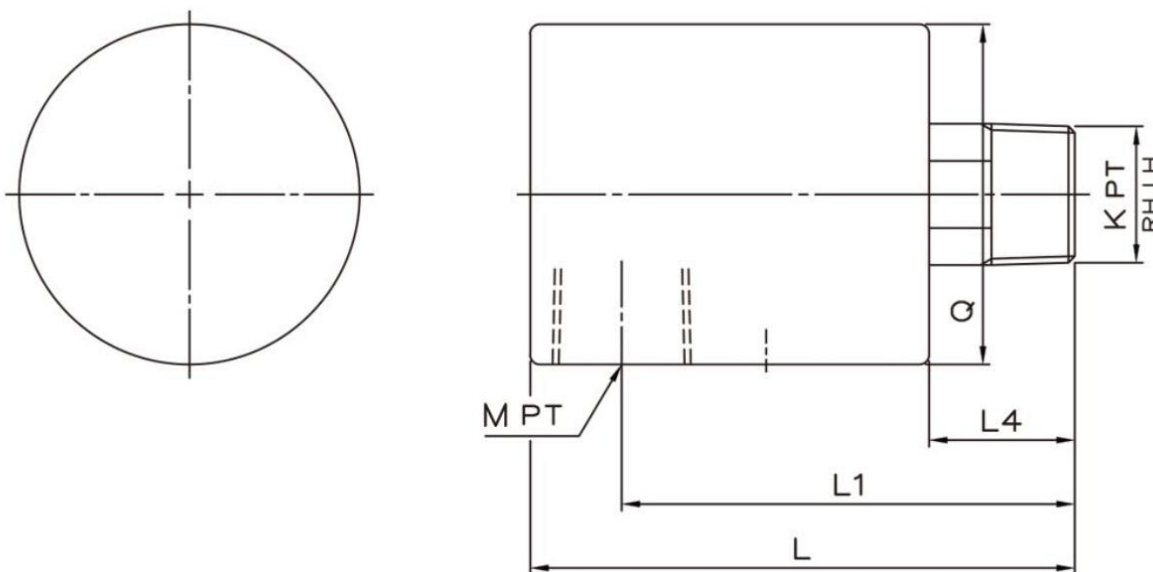


Applicable medium	Temperature	Max pressure	Max Rotary Speed
Water	-30~80°C	1.0Mpa	3000RPM
Air			
Coolant			

Product Features

- ▲ Balanced mechanical air seal design, using stainless steel springs to compensate for wear and tear, longer life cycle;
- ▲ The sealing material is a wear-resistant tungsten carbide material imported from Germany to ensure high quality and high pressure resistance;
- ▲ Double bearings, using imported bearings to ensure that the deflection and clearance are in the ideal range at high speeds;
- ▲ The stainless steel shaft is heat-treated and ground to ensure rigidity without deformation for a long time and no eccentric force;
- ▲ A pair of friction pairs are processed by mirror grinding to ensure long life and high pressure resistance.

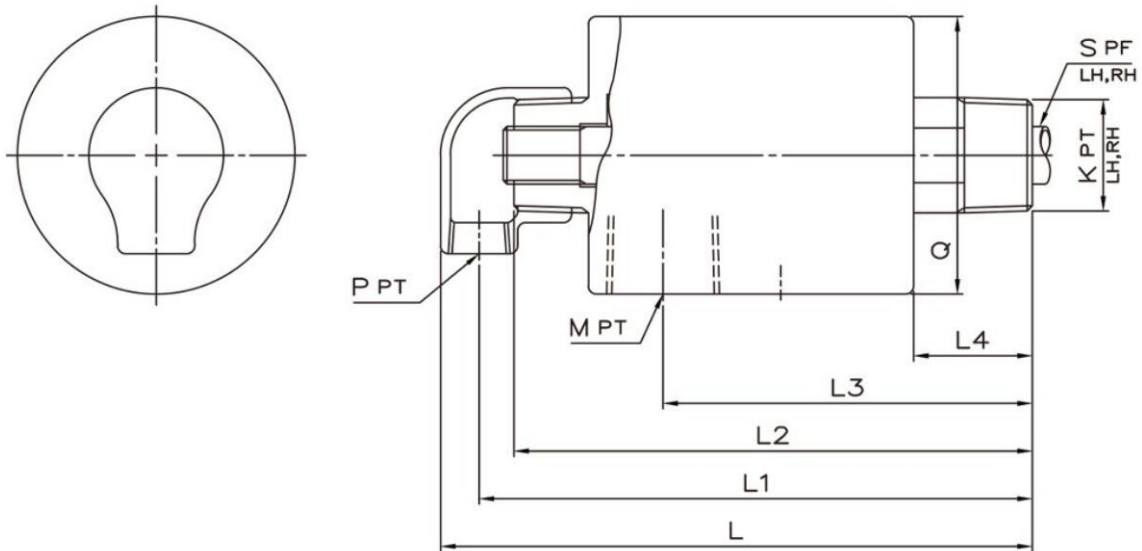
Single Channel



Single Channel Model selection table

Standard Size		K	M	L	L1	L4	Q
10A	3/8"	3/8"	3/8"	102	87	27	45
15A	1/2"	1/2"	1/2"	116	100	30	57
20A	3/4"	3/4"	3/4"	134.5	114	33	67
25A	1"	1"	1"	150	125	36	74
32A	1.1/4"	1.1/4"	1.1/4"	167	140	39	88
40A	1.1/2"	1.1/2"	1.1/2"	182	148	42	93

Two-Channel



Two-Channel Model Selection table

Standard Size		K	M	P	S	L	L1	L2	L3	L4	Q
10A	3/8"(B)	3/8"	1/4"	1/4"	7	136	126	115	86	27	45
15A	1/2"(B)	1/2"	3/8"	3/8"	1/8"	157	145.5	131	100	30	57
20A	3/4"(B)	3/4"	1/2"	1/2"	1/4"	179	165	148	112	33	67
25A	1"(B)	1"	1/2"	1/2"	3/8"	192	178	157	120	36	74
32A	1.1/4"	1.1/4"	3/4"	3/4"	1/2"	216	199	175	132	39	88
40A	1.1/2"(B)	1.1/2"	1"	1"	3/4"	235	214	189	140	42	93

KC Series High pressure rotary joints

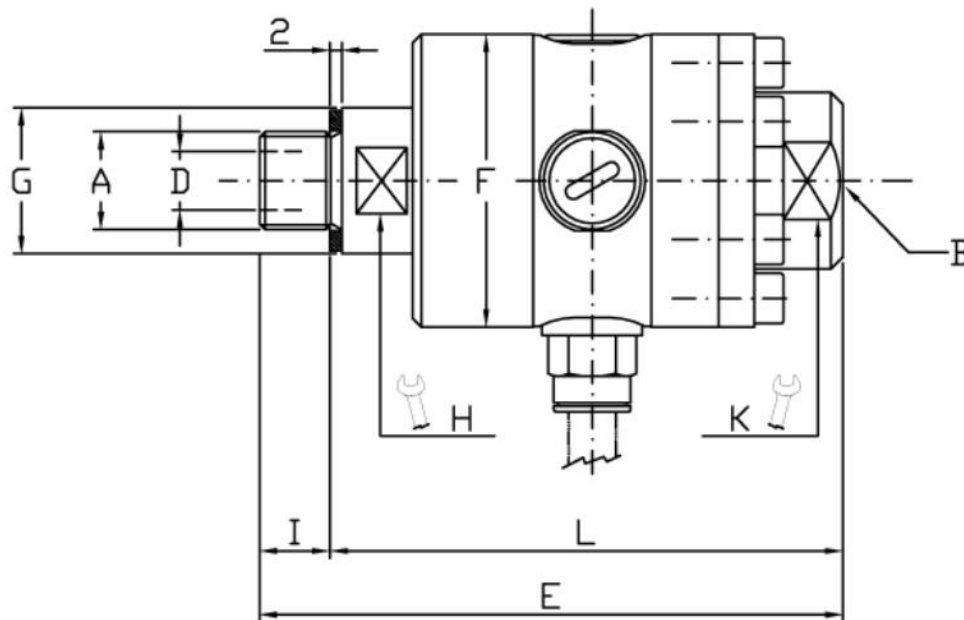
Applicable medium	Temperature	Max pressure	Max Rotary Speed
Water	90°C	1/4"-1/2"(400bar)	1/4"-1/2"(1500RPM)
Hydraulic oil		3/4"(250bar)	3/4"(800RPM)



Product Features

- ▲ Balanced mechanical air seal design, using stainless steel springs to compensate for wear and tear, longer life cycle;
- ▲ The sealing material is a wear-resistant tungsten carbide material imported from Germany to ensure high quality and high pressure resistance;
- ▲ Double bearings, using imported bearings to ensure that the deflection and clearance are in the ideal range at high speeds;
- ▲ The stainless steel shaft is heat-treated and ground to ensure rigidity without deformation for a long time and no eccentric force;
- ▲ A pair of friction pairs are processed by mirror grinding to ensure long life and high pressure resistance.

Dimension



Model Selection table

Model	A	B	φD	E	φF	G	H	K	I	L	Kg
KC08-1301-01R	G1/4" RH	G1/4"	7	99	49.5	19.8	17	27	12	87	0.8
KC10-1301-01R	G3/8" RH	G3/8"	9	99	49.5	24.5	22	27	12	87	0.8
KC15-1301-01R	G1/2" RH	G1/2"	12	106	49.5	27.5	24	27	14	92	0.8
KC20-1301-01R	G3/4" RH	G3/4"	18	120	74	34.5	28	68	16	104	2.3

KG High Speed rotary joints

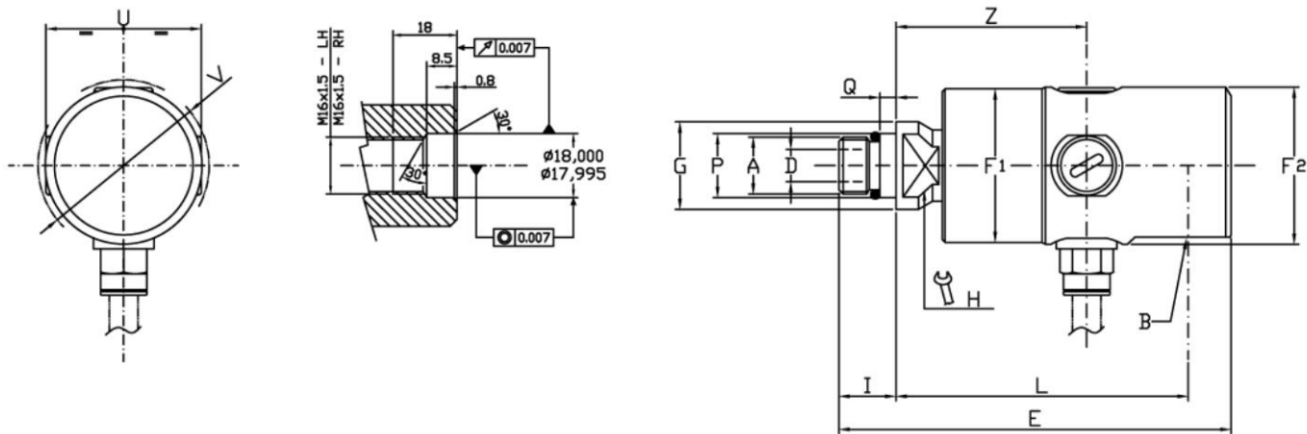
Applicable medium	Temperature	Max pressure	Max Rotary Speed
Coolant	90°C	100bar	15000RPM
Hydraulic oil/ Mist			



Product Features

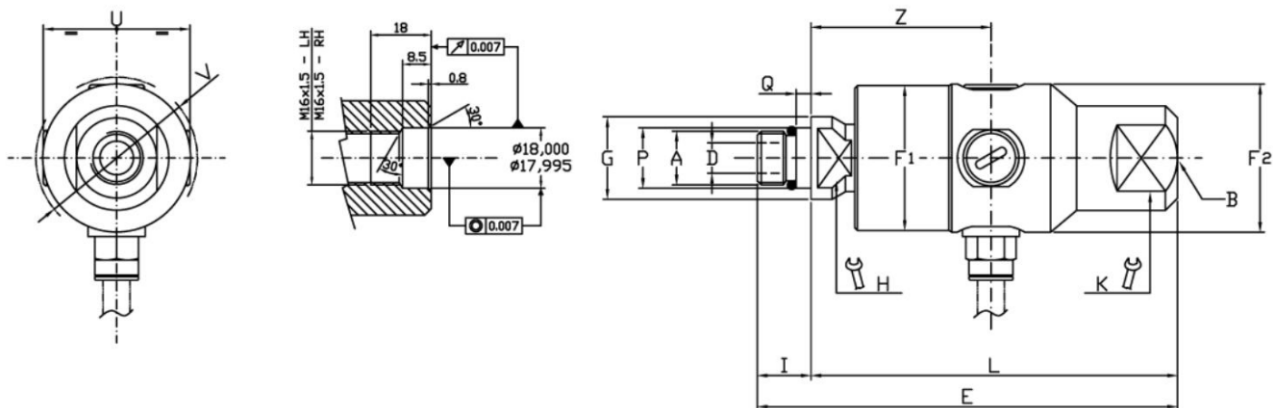
- ▲ The labyrinth seal and guide hole structure can protect the bearings;
- ▲ Optimized balanced sealing design to minimize friction;
- ▲ The stainless steel spring is located outside the flow channel, with a large flow area and small pressure loss;
- ▲ Silicon carbide dynamic sealing enhances toughness and impact resistance;
- ▲ Matched sealing surface, the selected material meets specific working conditions.

Radial connection diagram



Radial connection																
Model	A	B	φD	E	φF1	φF2	φG	H	I	L	φP	Q	U	φV	Z	Kg
KGA08-1301-04R	M16x1.5RH	G1/4"	5	91	34	34.4	24.5	17	16	66	18	4.5	35	38	41	0.3
KGA08-1301-05L	M16x1.5LH															
KGA10-1301-04R	M16x1.5LH	G3/8"	9	110	43	44	24.5	17	16	82	18	4.5	43.6	47.5	53.5	0.5
KGA10-1301-05L	M16x1.5RH															

Axial connection diagram



Axial connection

Model	A	B	φD	E	φF1	φF2	φG	H	I	L	φP	Q	U	φV	Z	Kg
KGA08-1302-04R	M16x1.5RH	G1/4"	5	108	44	34.4	24.5	17	16	92	18	4.5	35	38	41	0.3
KGA08-1302-05L	M16x1.5LH															
KGA08-1302-04R	M16x1.5LH	G3/8"	9	125	43	44	24.5	17	16	109	18	4.5	43.6	47.5	53.5	0.5
KGA08-1302-05L	M16x1.5RH															

AIR SERIES



KMT Series Hydraulic swivel joints

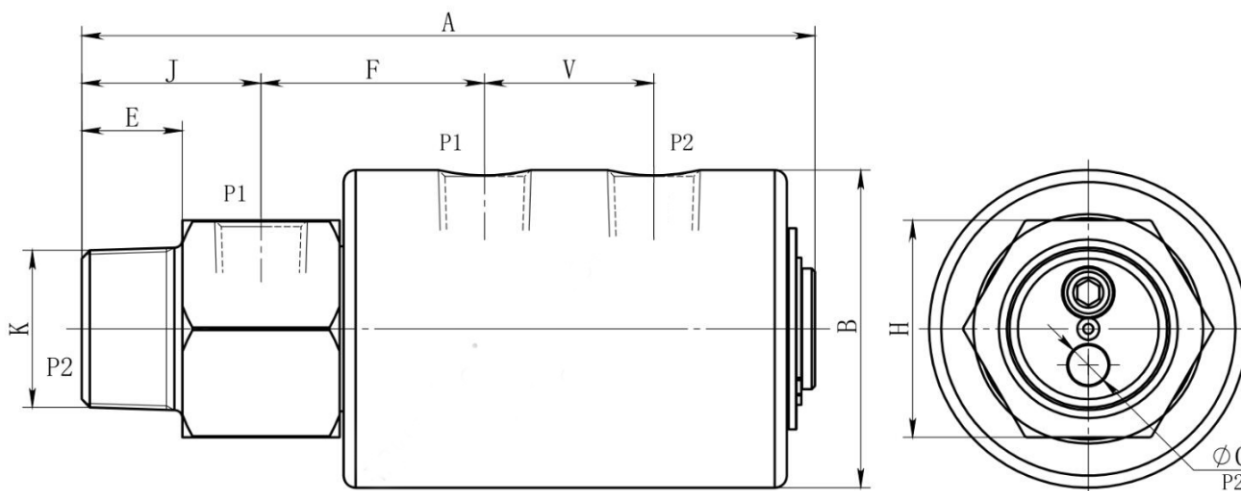
Applicable medium	Temperature	Max pressure	Max Rotary Speed
Compressed air	-30~ +80°C	1.1Mpa	300RPM
Hydraulic oil Series			



Product Features

- ▲ Two wide precision bearings support, ensuring smooth operation and lifelong maintenance free bearing;
- ▲ Imported specialized sealing components ensure longevity and destiny;
- ▲ Specially treated core shaft to ensure sufficient wear resistance;
- ▲ The shell is made of aluminum alloy;
- ▲ Special products can be customized according to customer conditions.

Dimension



Types of	DN	Model	k	P1/P2	A	B	C	E	J	F	V	H
KMT02	20	KMT02020.01	R3/4"-RH	Rc3/8"	155	69	6	22	38	47	34	46
	25	KMT02025.01	R1"-RH	Rc3/8"	155	69	8	22	38	47	34	46
	32	KMT02032.01	R1"-1/4"-RH	Rc1/2"	182	79	12	25	45	56	42	54
	40	KMT02040.01	R1"-1/2"-RH	Rc3/4"	193	88	15	28	4	57	44	65

KM Series Rotary Joints

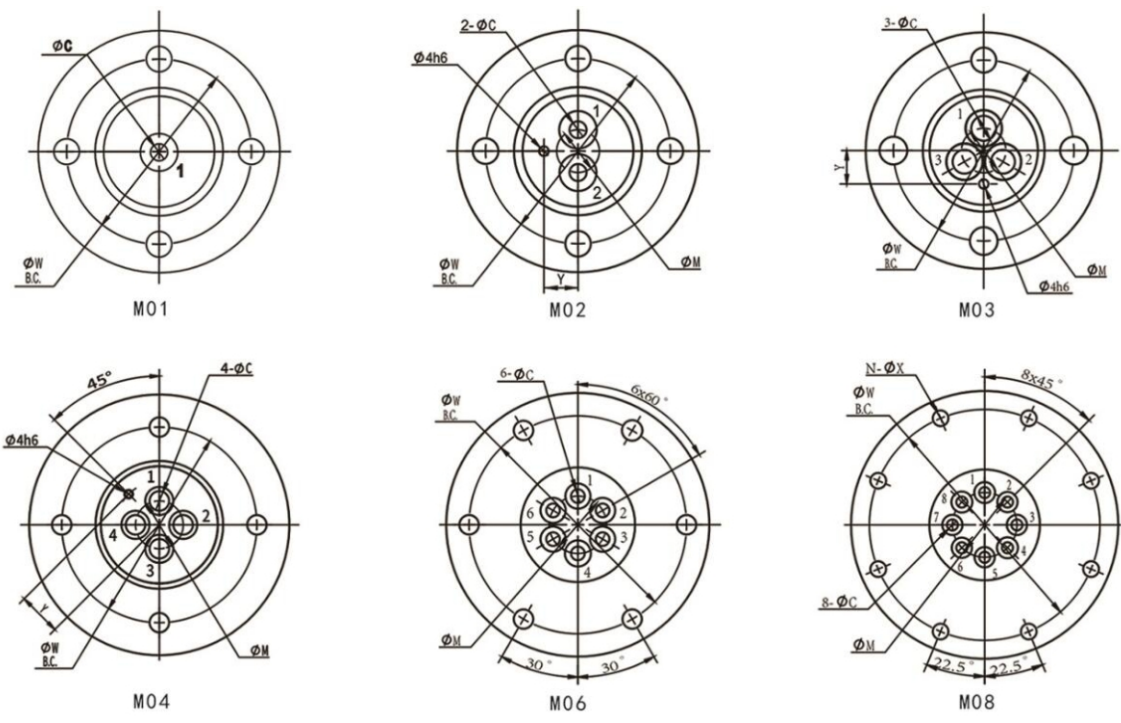
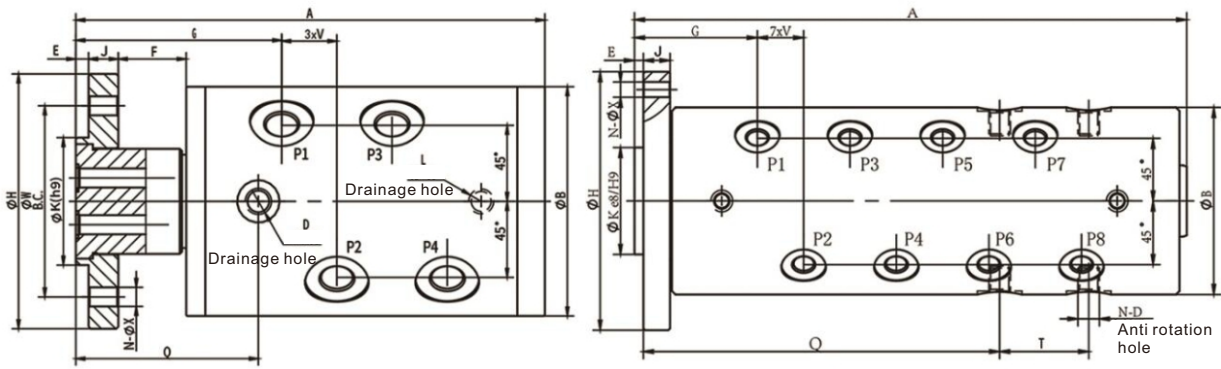
Applicable medium	Temperature	Max pressure	Max Rotary Speed
Hydraulic oil	-30°C~+80°C	30Mpa	3000R/min



Product Features

- ▲ Two wide and high-precision bearings support smooth operation, and the bearings require no maintenance for life;
- ▲ Imported specialized sealing components ensure longevity and destiny;
- ▲ After special treatment, the core shaft ensures sufficient wear resistance;
- ▲ The shell can be made of aluminum alloy, carbon steel, stainless steel, or brass;
- ▲ Independent drainage hole design to prevent leakage to the external environment;
- ▲ Special products can be customized according to customer conditions.

Dimension



Model selection table

Types of	DN	Model	K	P	A	B	C	M	Q	D	E	F	G	V	H	J	L	N-X	W
KM01	15	KM01015	40	G1/2"	127	78	13	/	70	2-M8	5	30	85	/	80	10	Rc1/8"	4-9	60
	20	KM01020	45	G3/4"	135	82	16	/	75	2-M8	5	29	90	/	85	12	Rc1/8"	4-9	65
	25	KM01025	45	G1"	147	90	22	/	80	2-M12	5	29	98	/	85	12	Rc1/8"	4-9	65
	32	KM01032	55	G1-1/4"	164	108	30	/	86	2-M12	6	32	107	/	110	14	Rc1/8"	4-9	80
KM02	08	KM02008	45	2-G1/4"	145	83	6	14	65	2-M8	5	28	84	22	85	12	Rc1/8"	4-9	65
	10	KM02010	45	2-G3/8"	155	90	9	15	70	2-M12	5	30	91	24	85	12	Rc1/8"	4-9	65
	15	KM02015	55	2-G1/2"	180	108	12	20	76	2-M12	6	32	100	30	110	16	Rc1/8"	4-9	80
	20	KM02020	70	2-G3/4"	225	155	16	30	110	2-M16	5	38	124	36	125	12	Rc1/4"	6-14	100
KM03	08	KM03008	45	3-G1/4"	169	83	6	14	70	2-M8	5	29	86	22	85	12	Rc1/8"	4-9	65
	10	KM03010	45	3-G3/8"	177	90	9	16	80	2-M12	5	30	91	23	85	14	Rc1/8"	4-9	65
	15	KM03015	60	3-G1/2"	209	108	12	20	86	2-M12	6	33	100	30	120	12	Rc1/8"	4-9	90
KM04	08	KM04008	45	4-G1/4"	178	90	6	18	80	2-M12	5	28	86.5	18	85	12	Rc1/8"	4-9	65
	10	KM04010	60	4-G3/8"	221	108	9	22	86	2-M12	6	32	97	26	120	14	Rc1/8"	4-9	90
	15	KM04015	75	4-G1/2"	245	115	12	29	91	2-M12	6	31	104	30	130	16	Rc1/8"	4-9	110
KM06	06	KM06006	50	6-G1/8"	208	78	6	25	85	4-M10	5	/	62	20	115	14	/	6-8.5	95
	08	KM06008	50	6-G1/4"	232	78	6	25	85	4-M10	5	/	64	24	115	14	/	6-8.5	95
	10	KM06010	70	6-G3/8"	270	105	9	35	170	4-M12	5	/	70	28	145	15	/	6-8.5	125
	15	KM06015	80	6-G1/2"	300	118	12	40	205	4-M12	5	/	77	32	165	20	/	6-13.5	145
KM08	06	KM08006	60	8-G1/8"	278	105	6	35	175	4-M12	5	/	67	22	145	15	/	8-8.5	125
	08	KM08008	60	8-G1/4"	310	105	6	35	205	4-M12	5	/	69	26	145	15	/	8-8.5	125
	10	KM08010	70	8-G1/8"	330	115	9	45	225	4-M12	5	/	73	28	155	15	/	8-8.5	135

KBP Series Multi-channel Mechanical Seal Rotary Joints

Applicable medium	Temperature	Max pressure	Max Rotary Speed
Water	-30~+80°C	7Mpa	3000RPM
Air			
Hydraulic oil			

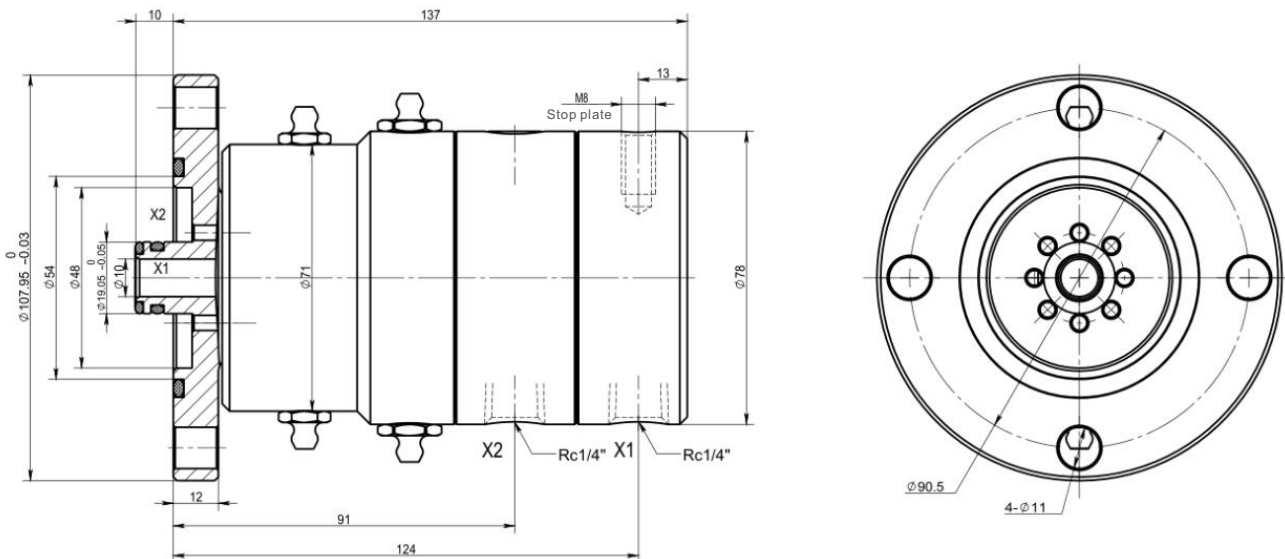


Product Features

- ▲ Multi-channel mechanical seal structure can be applied to high-speed rotary compressed air equipment;
- ▲ Supported by two imported ball bearings, the rotation is stable;
- ▲ Multi-spring design structure provides stable spring force for the sealing surface;
- ▲ Balanced mechanical tight structure design, reducing the impact of pressure change load on the sealing surface and prolonging the service life;
- ▲ There is an observation hole in the shell, which can observe the leakage and friction.

Important notice

1. Please read the order instructions when ordering, and indicate the working medium and pressure of each channel;
2. After installation, it must be ensured that one leakage hole is vertically downward;
3. The pressure of X1 channel should not be larger than the pressure of X2 channel 04Mpa.



K380 Series Rotary Joints

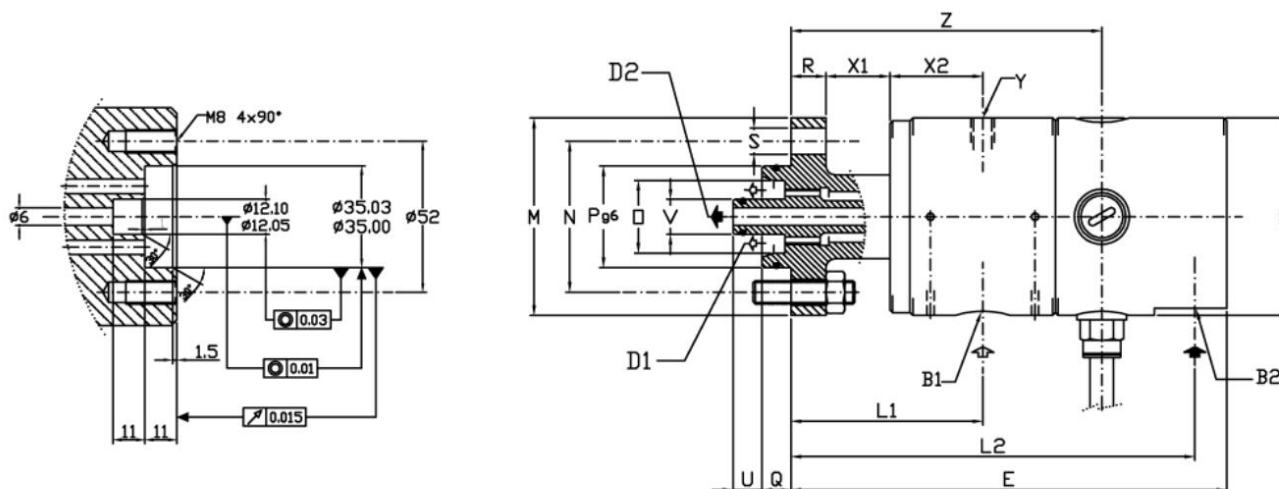


throughfare	Applicable medium	Max pressure	Max pressure	Temperature
B1 channel	Hydraulic oil	70bar	5bar/5000rpm 70bar/10rpm	90°C
B2 channel	Coolant Capable of dry conversion	40bar /	5000rpm	

Product Features

- ▲ Multi channel mechanical seal structure, suitable for high-speed rotating compressed air equipment;
- ▲ Two imported ball bearings support and rotate smoothly;
- ▲ Multi spring design structure provides stable spring force for the sealing surface;
- ▲ Balanced mechanical sealing design, reducing the impact of pressure changes and loads on the sealing surface, and extending the service life;
- ▲ The shell is equipped with observation holes to observe leakage and friction.

Dimension



Dual channel using two different fluids

Model	B1-B2	D1	D2	E	φF	L1	L2	φM	φN	φO	φPg6	Q	R	φS	U	φV	X1	X2	Y	Z	Kg
K380-105-06F	G1/4"	40mm ²	φ6 28mm ²	150	68	66	139	68	52	25	35	10	12	94x90°	10	12	22	32	M8	107	1.5

KBE Series Rotary joints

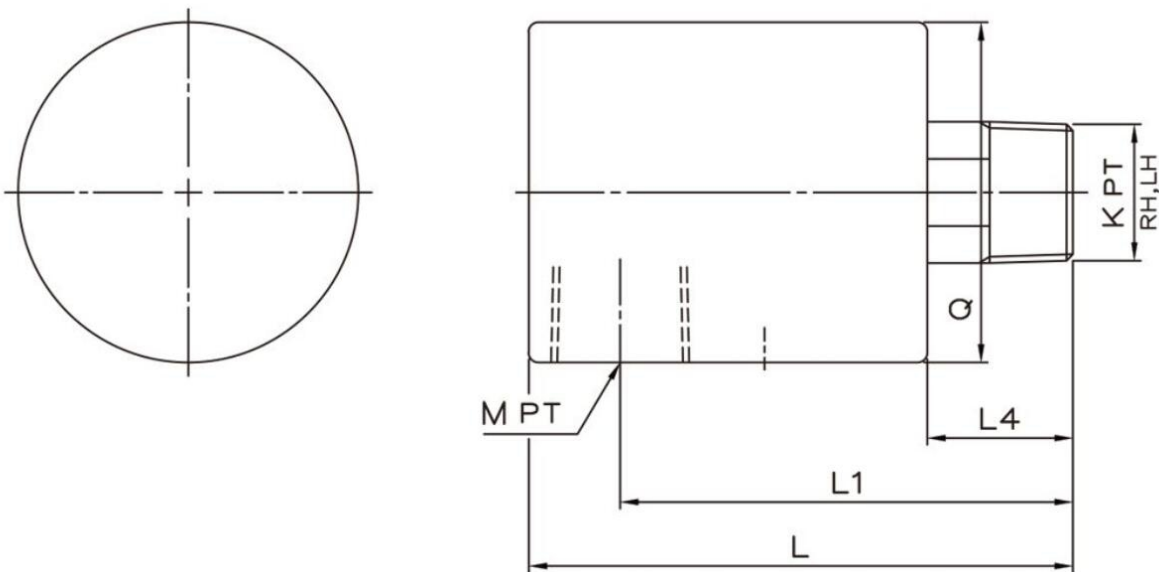


Applicable medium	Temperature	Max pressure	Max Rotary Speed
Water	-30~80°C	1.0Mpa	3000RPM
Air			
Coolant			

Product Features

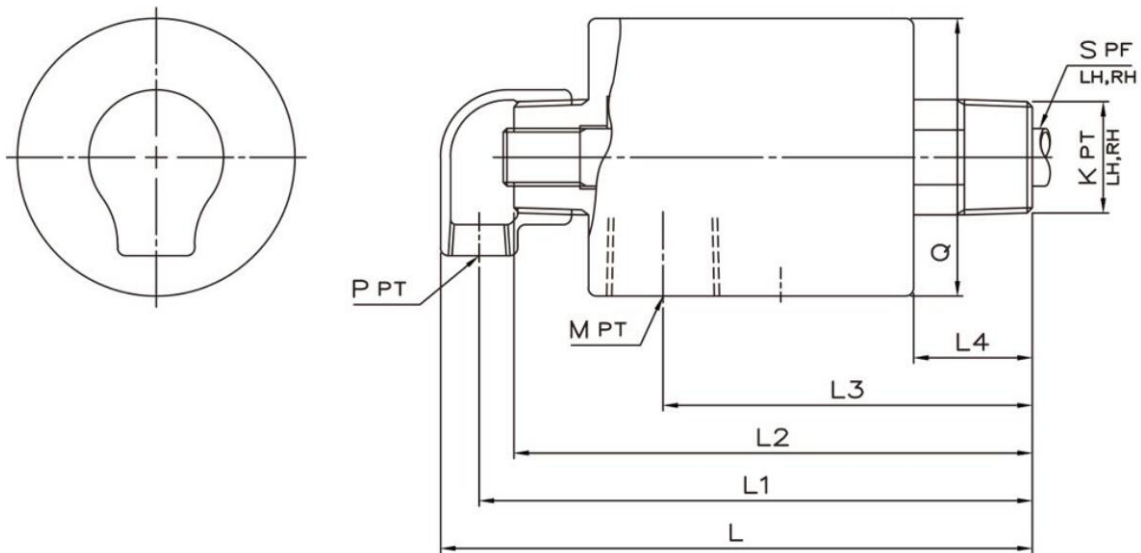
- ▲ Balanced mechanical air seal design, using stainless steel springs to compensate for wear and tear, longer life cycle;
- ▲ The sealing material is a wear-resistant tungsten carbide material imported from Germany to ensure high quality and high pressure resistance;
- ▲ Double bearings, using imported bearings to ensure that the deflection and clearance are in the ideal range at high speeds;
- ▲ The stainless steel shaft is heat-treated and ground to ensure rigidity without deformation for a long time and no eccentric force;
- ▲ A pair of friction pairs are processed by mirror grinding to ensure long life and high pressure resistance.

Single Channel



Standard Size		K	M	L	L1	L4	Q
10A	3/8"	3/8"	3/8"	102	87	27	45
15A	1/2"	1/2"	1/2"	116	100	30	57
20A	3/4"	3/4"	3/4"	134.5	114	33	67
25A	1"	1"	1"	150	125	36	74
32A	1.1/4"	1.1/4"	1.1/4"	167	140	39	88
40A	1.1/2"	1.1/2"	1.1/2"	182	148	42	93

Two-Channel



Two-Channel Model Selection table

Standard Size		K	M	P	S	L	L1	L2	L3	L4	Q
10A	3/8"(B)	3/8"	1/4"	1/4"	7	136	126	115	86	27	45
15A	1/2"(B)	1/2"	3/8"	3/8"	1/8"	157	145.5	131	100	30	57
20A	3/4"(B)	3/4"	1/2"	1/2"	1/4"	179	165	148	112	33	67
25A	1"(B)	1"	1/2"	1/2"	3/8"	192	178	157	120	36	74
32A	1.1/4"	1.1/4"	3/4"	3/4"	1/2"	216	199	175	132	39	88
40A	1.1/2"(B)	1.1/2"	1"	1"	3/4"	235	214	189	140	42	93

KMD Series Hydraulic swivel joints

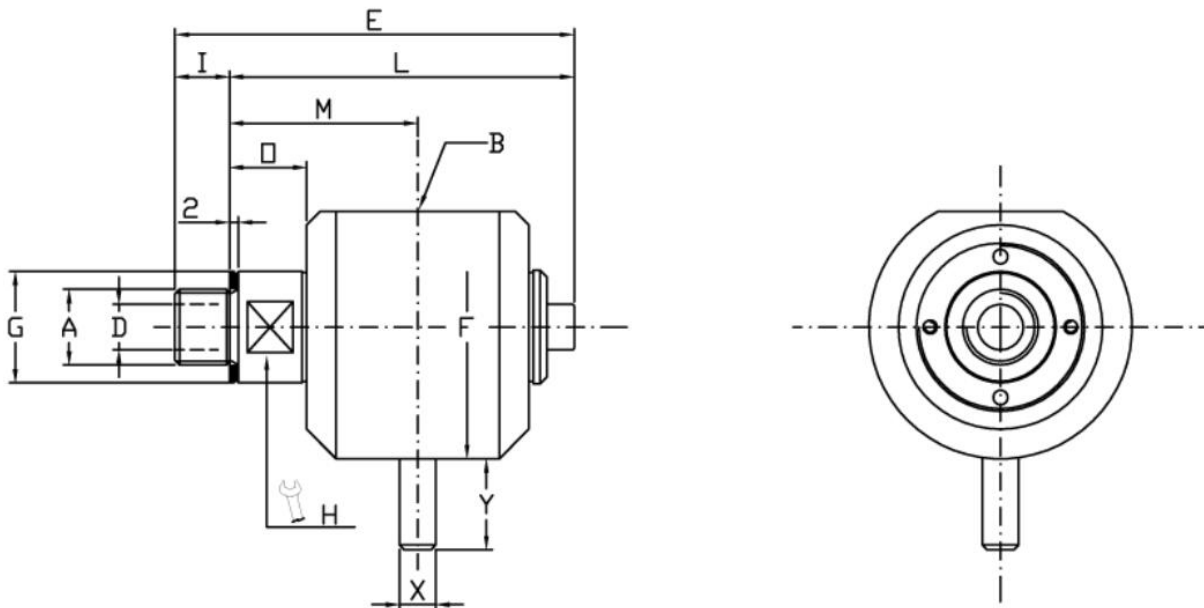
Applicable medium	Temperature	Max pressure	Max Rotary Speed
Air	10bar	90°C	300RPM
Hydraulic oil	300bar		



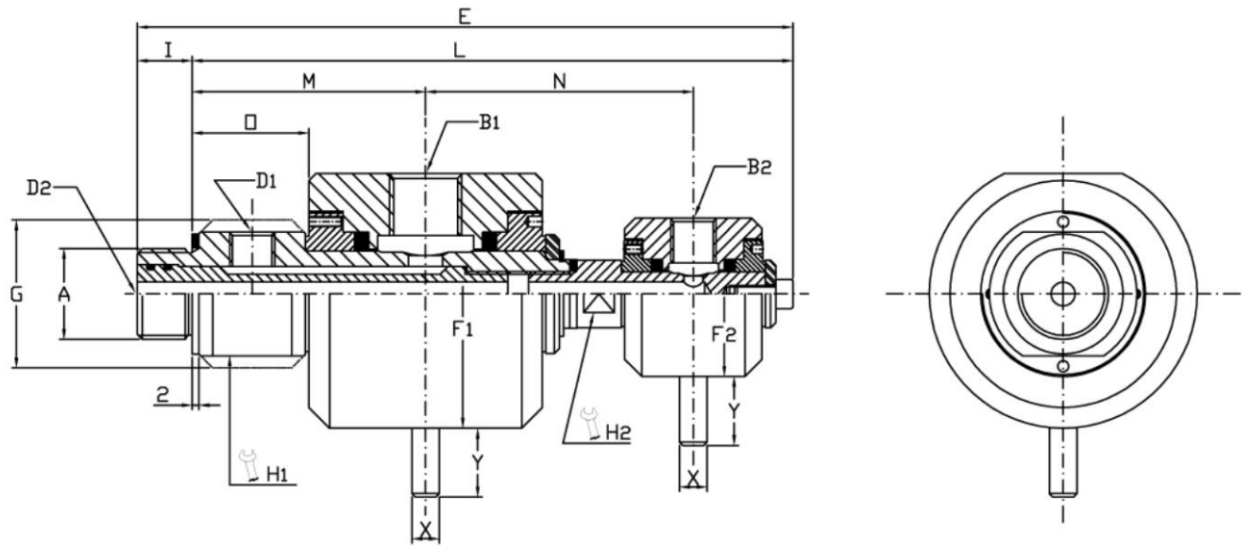
Product Features

- ▲ Balanced mechanical air seal design, using stainless steel springs to compensate for wear and tear, longer life cycle;
- ▲ The sealing material is a wear-resistant tungsten carbide material imported from Germany to ensure high quality and high pressure resistance;
- ▲ Double bearings, using imported bearings to ensure that the deflection and clearance are in the ideal range at high speeds;
- ▲ The stainless steel shaft is heat-treated and ground to ensure rigidity without deformation for a long time and no eccentric force;
- ▲ A pair of friction pairs are processed by mirror grinding to ensure long life and high pressure resistance.

Dimension



Model Selection table														
Model	A	B	φD	E	φF	φG	H	I	L	M	O	X	Y	Kg
KM108-1000-01R	G1/4"RH	G1/4"	7	77	48	19.5	17	12	65	36	16	8	20	0.4
KM110-1000-01R	G3/8"RH	G3/8"	10	88	58	24.5	22	12	76	41.5	17	8	20	0.5
KM115-1000-01R	G1/2"RH	G1/2"	12	88	58	27.5	24	14	74	39.5	15	8	20	0.5
KM120-1000-01R	G3/4"RH	G3/4"	17.5	119	78	34.5	28	16	103	56	22	8	20	0.3



Model Selection table

Model	A	B1	B2	D1	$\phi D2$	E	$\phi F1$	$\phi F2$	ϕG	H1	H2	I	L	M	N	O	X	Y	Kg
KM120-1002-11R	G3/4"RH	G1/2"	G1/4"	G1/4"	7	191	78	48	43	38	17	16	175	68	78	34	8	20	1.3

KG High Speed rotary joints

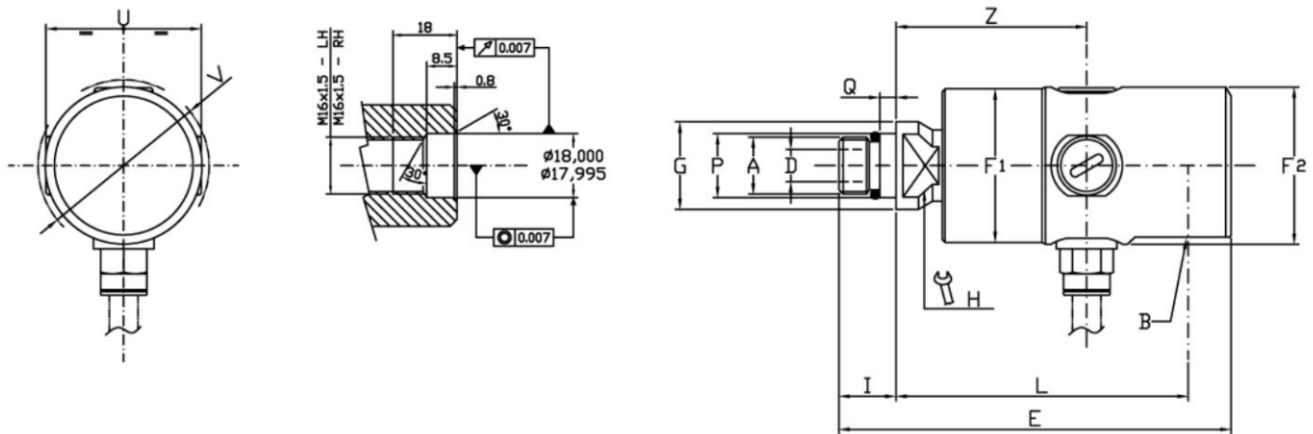
Applicable medium	Temperature	Max pressure	Max Rotary Speed
Coolant	90°C	100bar	15000RPM
Hydraulic oil/ Mist			



Product Features

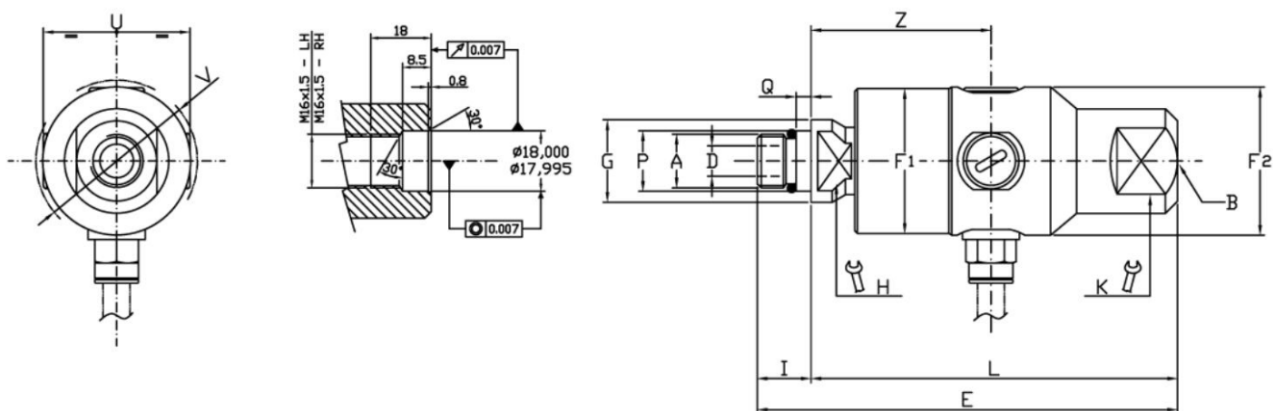
- ▲ The labyrinth seal and guide hole structure can protect the bearings;
- ▲ Optimized balanced sealing design to minimize friction;
- ▲ The stainless steel spring is located outside the flow channel, with a large flow area and small pressure loss;
- ▲ Silicon carbide dynamic sealing enhances toughness and impact resistance;
- ▲ Matched sealing surface, the selected material meets specific working conditions.

Radial connection diagram



Radial connection																
Model	A	B	φD	E	φF1	φF2	φG	H	I	L	φP	Q	U	φV	Z	Kg
KGA08-1301-04R	M16x1.5RH	G1/4"	5	91	34	34.4	24.5	17	16	66	18	4.5	35	38	41	0.3
KGA08-1301-05L	M16x1.5LH															
KGA10-1301-04R	M16x1.5LH	G3/8"	9	110	43	44	24.5	17	16	82	18	4.5	43.6	47.5	53.5	0.5
KGA10-1301-05L	M16x1.5RH															

Axial connection diagram



Axial connection																
Model	A	B	ϕD	E	$\phi F1$	$\phi F2$	ϕG	H	I	L	ϕP	Q	U	ϕV	Z	Kg
KGA08-1302-04R	M16x1.5RH	G1/4"	5	108	44	34.4	24.5	17	16	92	18	4.5	35	38	41	0.3
KGA08-1302-05L	M16x1.5LH															
KGA08-1302-04R	M16x1.5LH	G3/8"	9	125	43	44	24.5	17	16	109	18	4.5	43.6	47.5	53.5	0.5
KGA08-1302-05L	M16x1.5RH															

KMAP Series Rotary Joints

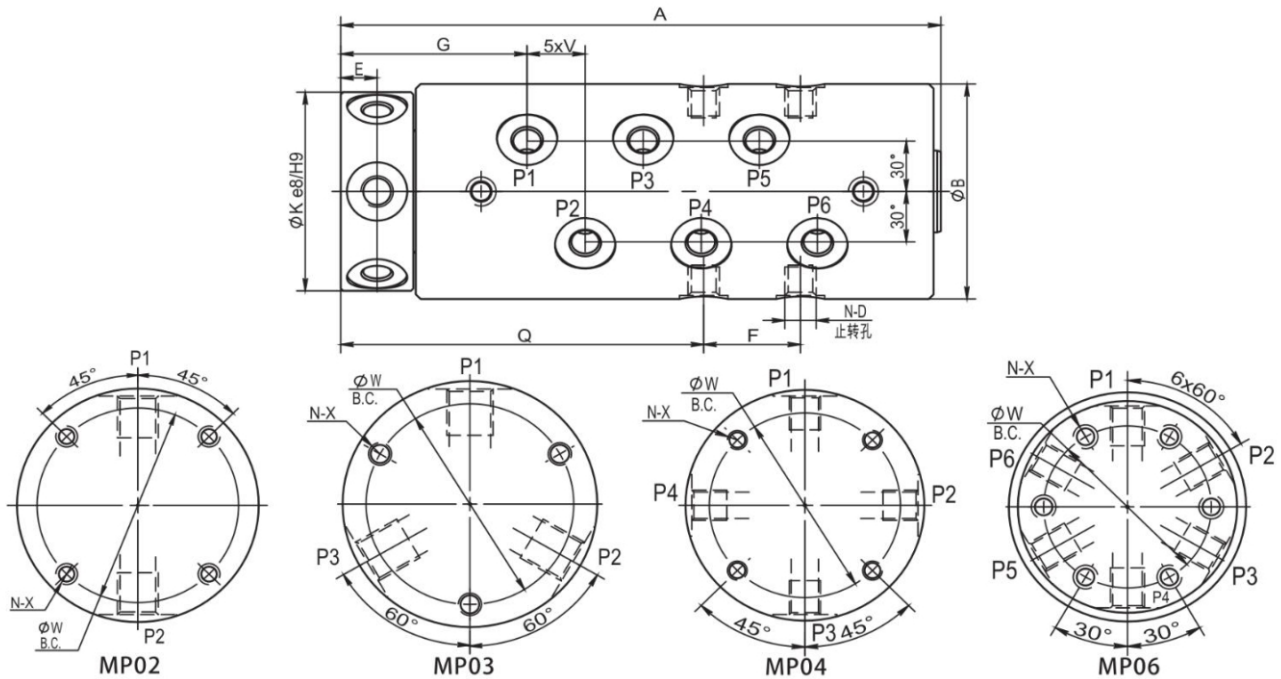
Applicable medium	Temperature	Max pressure	Max Rotary Speed
compressed air	-30°C~+80°C	1.1Mpa	200R/Min



Product Features

- ▲ Two wide precision bearings support, ensuring smooth operation and lifelong maintenance free bearing;
- ▲ Imported specialized sealing components ensure longevity and destiny;
- ▲ The special gear core ensures sufficient wear resistance;
- ▲ The shell is made of aluminum alloy;
- ▲ Special products can be customized according to customer conditions.

Dimension



Model selection table

types of	DN	Model	K	P	A	B	Q	D	F	E	G	V	N-X	W
KMAP02	5A	KMAP02005	35	2-M5	59.5	35	45.5	2-M5	/	8	29	11	4-M4	26
	6A	KMAP02006	50	2-G1/8"	87	50	75	2-M6	/	12	42	18	4-M5	35
	8A	KMAP02008	60	2-G1/4"	105	60	92	2-M8	/	15	53	22	4-M6	45
	10A	KMAP02010	70	2-G3/8"	120	70	98	2-M8	/	19	62	24	4-M6	55
	15A	KMAP02015	85	2-G1/2"	150	85	123	2-M10	/	25	78	30	4-M8	65
KMAP03	5A	KMAP03005	50	3-M5	82.5	50	70.5	2-M6	/	8	33.5	13	3-M5	35
	6A	KMAP03006	60	3-G1/8"	109	60	80	2-M6	/	12	45	18	3-M5	45
	8A	KMAP03008	68	3-G1/4"	131	68	102	2-M8	/	15	54	22	3-M6	50
	10A	KMAP03010	75	3-G3/8"	150	75	123	2-M8	/	19	65	24	3-M6	60
	15A	KMAP03015	85	3-G1/2"	181	85	153	2-M10	/	25	78	30	3-M8	65
KMPA04	5A	KMPA04005	50	4-M5	95.5	50	83.5	2-M6	/	8	33.5	13	4-M4	35
	6A	KMPA04006	60	4-G1/8"	127	60	98	2-M6	/	12	45	18	4-M4	45
	8A	KMPA04008	68	4-G1/4"	153	68	125	2-M8	/	15	54	22	4-M6	50
	10A	KMPA04010	75	4-G3/8"	174	75	145	2-M8	/	19	65	24	4-M6	60
	15A	KMPA04015	85	4-G1/2"	211	85	180	2-M10	/	25	78	30	4-M8	65
KMPA06	5A	KMPA06005	45	6-M5	121.5	45	110	2-M6	/	8	33.5	13	6-M5	35
	6A	KMPA06006	75	6-G1/8"	172	75	140	2-M8	/	12	51	18	6-M6	60
	8A	KMPA06008	75	6-G1/4"	201	75	160	2-M8	/	15	58	22	6-M6	60
KMPA08	5A	KMPA08005	55	8-M5	156.5	55	70	4-M6	40	10	37.5	13	8-M5	40
	6A	KMPA08006	85	8-G1/8"	208	85	120	4-M8	40	12	50	18	8-M6	70
	8A	KMPA08008	85	8-G1/4"	248	85	160	4-M8	40	15	58	22	8-M6	70
KMPA12	5A	KMPA12005	75	12-M5	215	75	120	4-M8	50	10	41	13	12-M5	60
	6A	KMPA12006	105	12-G1/8"	285	105	195	4-M8	40	12	52	18	12-M6	90
	8A	KMPA12008	105	12-G1/4"	290	105	200	4-M8	40	15	57	18	12-M6	90
KMAP16	5A	KMAP16005	95	16-M5	270	95	180	4-M8	50	10	44	13	8-M6	80
	6A	KMAP16006	115	16-G1/8"	403	115	150	4-M12	200	14	59	18	16-M6	100
	8A	KMAP16008	115	16-G1/4"	423	115	170	4-M12	200	15	79	18	8-M8	100
KMAP24	5A	KMAP24005	85	24-M5	294.4	85	130	4-M8	130	10/22	52/176.2	8.2	6-M6	70

MK Series Pneumatic Rotary Union

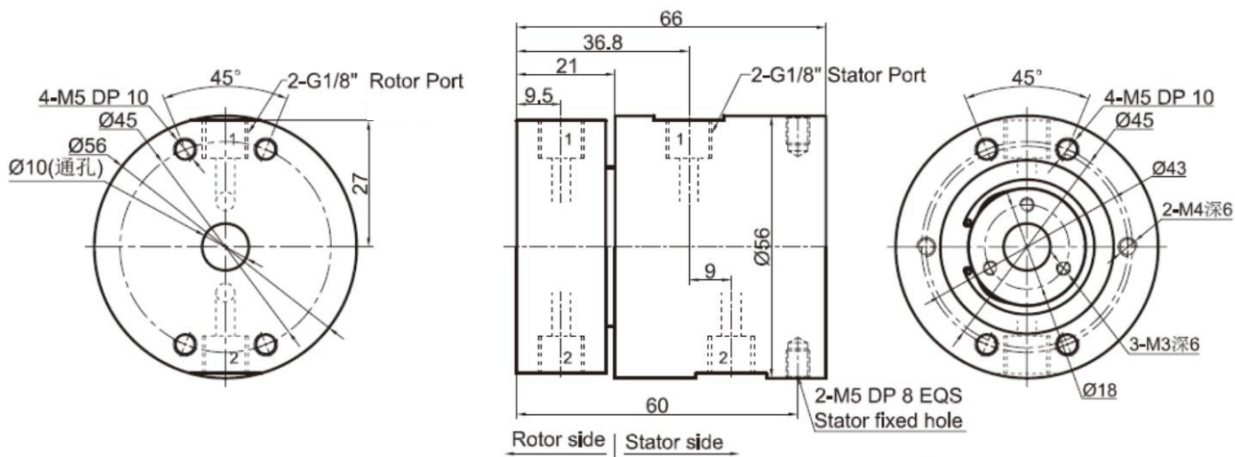
Applicable medium	Temperature	pressure	Max Rotary Speed
compressed air	-30°C ~ +80°C	10bar (Customizable high voltage)	500RPM
vacuum		vacuum 0.01torr	



Product Features

- ▲ Simultaneously transmitting gas, power signal, and other media while rotating 360 degrees;
- ▲ Supports 1/2/3/4/5/6/8/10/12/16/24 gas channels;
- ▲ Standard interfaces include G1/8", G3/8", etc., which can be customized according to customer requirements;
- ▲ Can transmit compressed air, vacuum, hydraulic oil, water, hot water, coolant, steam and other media, and can customize special requirements such as high-speed and high-pressure according to requirements.

MK208 (pure pneumatic rotary joint) 2 in and 2 out Dimension



MK type pneumatic rotary joint selection table

Model	Number of gas channels	interface size	Adaptable trachea
MK208	2	G1/8"	6-8mm
MK210	2	G3/8"	10-12mm
MK408	4	G1/8"	6-8mm
MK410	4	G3/8"	10-12mm
MK808	8	G1/8"	6-8mm
MK810	8	G3/8"	10-12mm
MK1208	12	G1/8"	6-8mm
MK1210	12	G3/8"	10-12mm
MK2408	24	G1/8"	6-8mm
MK2410	24	G3/8"	10-12mm

Note: If you need the corresponding model drawings, please contact sales personnel.

MQR Ultra Low Torque Pneumatic Rotary Union

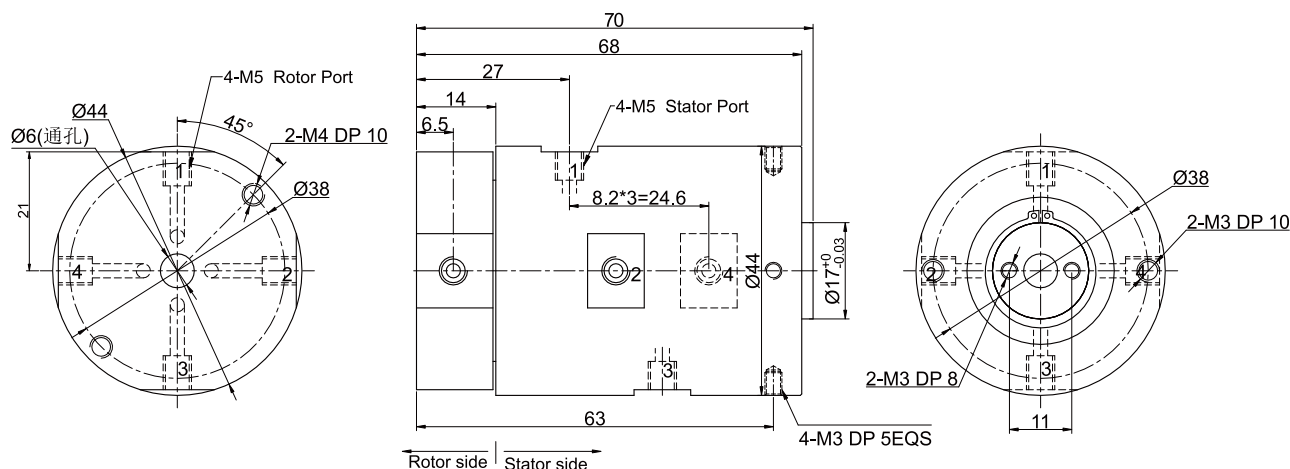


Gas Channel	1~16	Max Pressure	1MPa
vacuum pressure	-80KPa	Max rotary Speed	300RPM
Material Quality	Stainless steel aluminum alloy	Operation Temperature	-20°C to 80°C (Customizable high temperature resistance)
Interface Size	M5	Protection Grade	IP51
Seismic level	MIL-SID-810E	Working Humidity	10% to 85% RH
Material	RoHS	CE	Yes

Product Features

- ▲ Can completely replace various series of SMC pneumatic rotary joints;
- ▲ Can be achieved through 1/2/4/6/8/12/16 channels for air pressure or vacuum;
- ▲ Extremely low rotational torque;
- ▲ The standard interface size is M5;
- ▲ Gas pipe diameter can be customized according to customer requirements;
- ▲ Solid, without intermediate through-holes, small size, light weight, and low torque;

MQR4 Dimensional Drawing 4 in and 4 out, M5



Model	Gas channel	Interface size	torque	Negative vacuum	Max pressure	Max Rotary Speed
MQR2	2	M5	0.2N.m	-80KPa	1MPa	300RPM
MQR4	4	M5	0.3N.m	-80KPa	1MPa	300RPM
MQR6	6	M5	0.5N.m	-80KPa	1MPa	300RPM
MQR8	8	M5	0.6N.m	-80KPa	1MPa	300RPM
MQR12	12	M5	1.0N.m	-80KPa	1MPa	300RPM
MQR16	16	M5	1.3N.m	-80KPa	1MPa	300RPM

Note: If you need the corresponding model drawings, please contact sales personnel.

MULTI CHANNEL SERIES



KK Series Rotary Joints

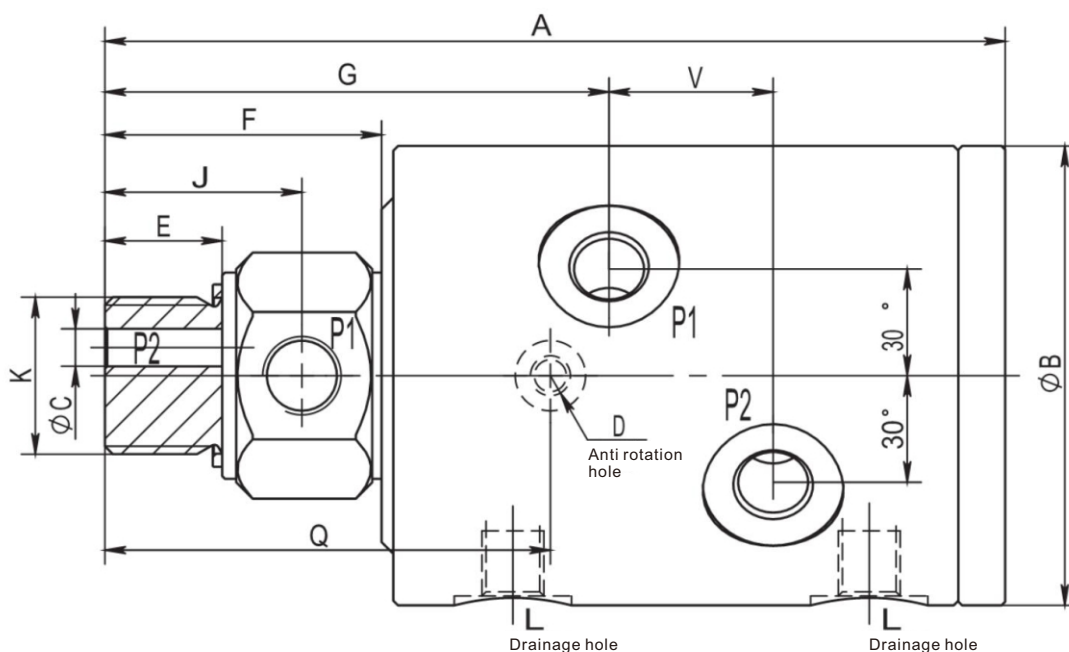


Applicable medium	Temperature	Max pressure	Max Rotary Speed
Hydraulic oil Series	-30°C~+80°C	30Mpa	6500R/min

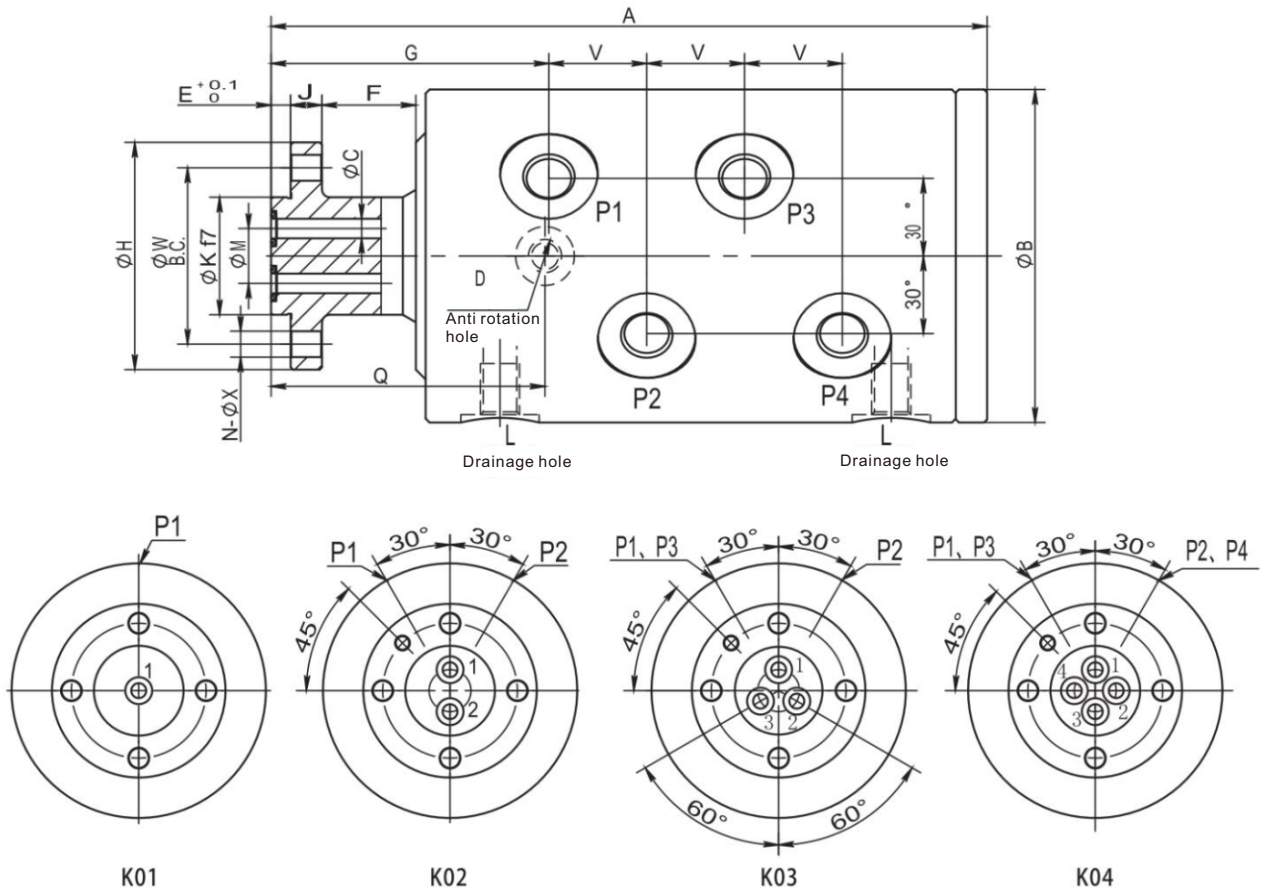
Product Features

- ▲ Two wide and high-precision bearings support smooth operation, and the bearings require no maintenance for life;
- ▲ High speed and high pressure gap sealing structure, without contact and wear of sealing rings, ensuring long-term trouble-free operation of the product;
- ▲ Lower rotational torque;
- ▲ Adopting hydraulic oil film structure, the friction heat is low during high-speed operation;
- ▲ The rotational torque is not affected by working pressure and temperature;
- ▲ Wide speed working range, with a maximum speed of up to 6500RPM;
- ▲ Drainage hole design to prevent leakage to the external environment;
- ▲ Customizable products for customers;

Dimension



Types of	DN	Model	K	P	A	B	C	Q	D	E	F	G	V	J	L
KKT02	8	KKT02008.03	G3/4"-RH	2-G1/4"	148	85	6	85	M8	20	52	86	25	36.5	2-G1/8"
	10	KKT02010.03	G1"-RH	2-G3/8"	192	98	8	95	M8	25	59	107.5	35	42	2-G1/4"
	15	KKT02015.03	G1-1/4"-RH	2-G1/2"	229	98	12	107	M8	25	71	127	45	48	2-G1/4"



Model selection table																			
Types of	DN	Model	K	P	A	B	C	M	Q	D	E	F	G	V	H	J	L	N-X	W
KK01	8	KK01008	45	G1/4"	118	85	5	/	70	M8	5	24	76	/	58	8	2-G1/8"	4-6.6	45
	10	KK01010	45	G3/8"	121	85	8	/	70	M8	5	24	77.5	/	58	8	2-G1/8"	4-6.6	45
	15	KK01015	45	G1/2"	128	85	12	/	72	M8	5	24	82	/	58	10	2-G1/8"	4-6.6	45
KK02	8	KK02008	30	2-G1/4"	133	85	5	14	70	M8	5	24	71	25	58	8	2-G1/8"	4-6.6	45
	10	KK02010	40	2-G3/8"	182	98	8	20	85	M8	5	32	97.5	35	75	12	2-G1/4"	4-9	60
	15	KK02015	55	2-G1/2"	227	115	12	25	100	M12	5	36	120	40	95	15	2-G3/8"	6-9	75
	20	KK02020	65	2-G3/4"	250	135	16	30	105	M12	5	37	126	50	115	15	2-G3/8"	6-14	90
	25	KK02025	80	2-G1"	274	165	20	42	105	M12	5	44.5	127	76	155	15	2-G1/2"	6-14	130
KK03	8	KK03008	30	3-G1/4"	158	85	5	14	70	M8	5	24	71	25	58	8	2-G1/8"	4-6.6	45
	10	KK03010	40	3-G3/8"	217	98	8	20	85	M8	5	32	97.5	35	75	12	2-G1/4"	4-9	60
	15	KK03015	55	3-G1/2"	267	115	12	25	100	M12	5	36	120	40	95	15	2-G3/8"	6-9	75
KK04	8	KK04008	30	4-G1/4"	183	85	5	14	70	M8	5	24	71	25	58	8	2-G1/8"	4-6.6	45
	10	KK04010	40	4-G3/8"	252	98	8	20	85	M8	5	32	97.5	35	75	12	2-G1/4"	4-9	60
	15	KK04015	65	4-G1/2"	307	125	12	32	100	M12	5	36	119	40	105	15	2-G3/8"	6-9	85
KK06	8	KK06008	125	6-G1/4"	232	90	4	26	75.5	3-M8	12	7	65	22	/	/	2-G1/4"	6-6.3	108

KM Series Rotary Joints

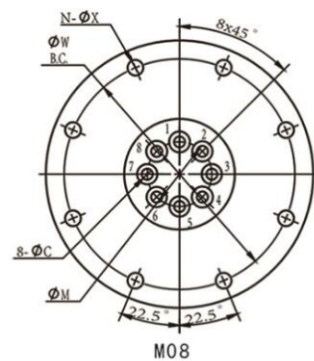
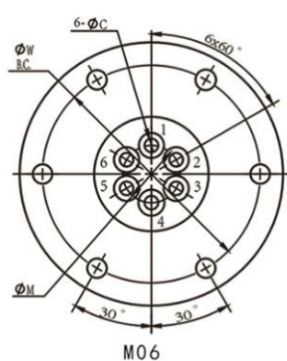
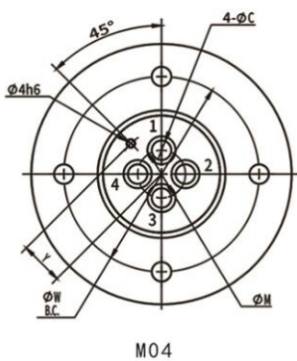
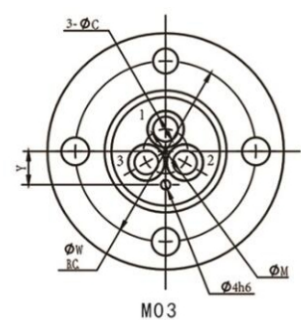
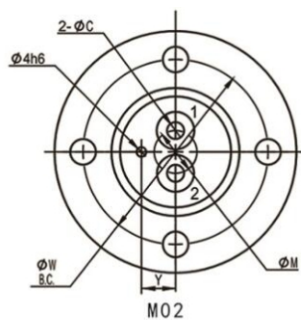
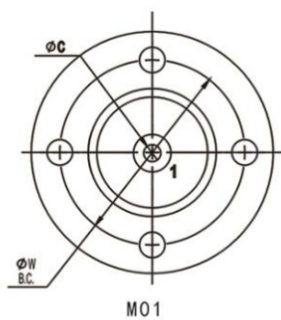
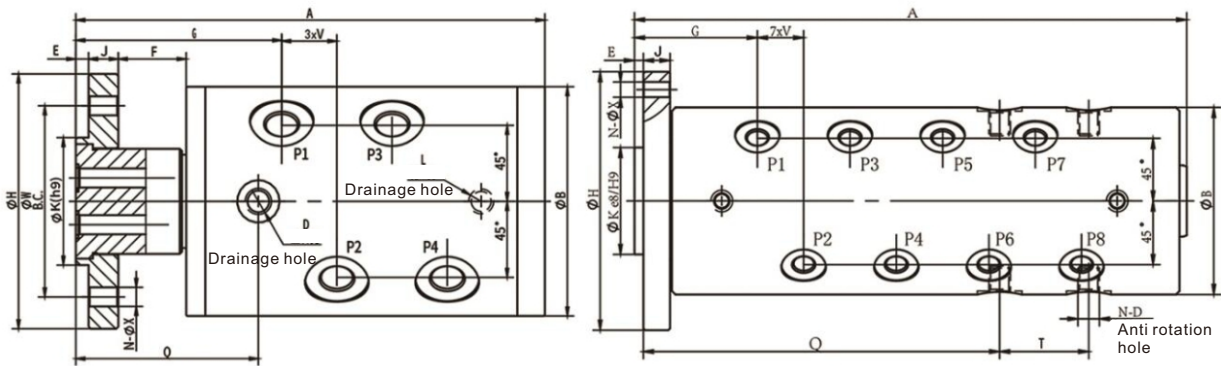
Applicable medium	Temperature	Max pressure	Max Rotary Speed
Hydraulic oil	-30°C~+80°C	30Mpa	3000R/min



Product Features

- ▲ Two wide and high-precision bearings support smooth operation, and the bearings require no maintenance for life;
- ▲ Imported specialized sealing components ensure longevity and destiny;
- ▲ After special treatment, the core shaft ensures sufficient wear resistance;
- ▲ The shell can be made of aluminum alloy, carbon steel, stainless steel, or brass;
- ▲ Independent drainage hole design to prevent leakage to the external environment;
- ▲ Special products can be customized according to customer conditions.

Dimension



Model selection table

Types of	DN	Model	K	P	A	B	C	M	Q	D	E	F	G	V	H	J	L	N-X	W
KM01	15	KM01015	40	G1/2"	127	78	13	/	70	2-M8	5	30	85	/	80	10	Rc1/8"	4-9	60
	20	KM01020	45	G3/4"	135	82	16	/	75	2-M8	5	29	90	/	85	12	Rc1/8"	4-9	65
	25	KM01025	45	G1"	147	90	22	/	80	2-M12	5	29	98	/	85	12	Rc1/8"	4-9	65
	32	KM01032	55	G1-1/4"	164	108	30	/	86	2-M12	6	32	107	/	110	14	Rc1/8"	4-9	80
KM02	08	KM02008	45	2-G1/4"	145	83	6	14	65	2-M8	5	28	84	22	85	12	Rc1/8"	4-9	65
	10	KM02010	45	2-G3/8"	155	90	9	15	70	2-M12	5	30	91	24	85	12	Rc1/8"	4-9	65
	15	KM02015	55	2-G1/2"	180	108	12	20	76	2-M12	6	32	100	30	110	16	Rc1/8"	4-9	80
	20	KM02020	70	2-G3/4"	225	155	16	30	110	2-M16	5	38	124	36	125	12	Rc1/4"	6-14	100
KM03	08	KM03008	45	3-G1/4"	169	83	6	14	70	2-M8	5	29	86	22	85	12	Rc1/8"	4-9	65
	10	KM03010	45	3-G3/8"	177	90	9	16	80	2-M12	5	30	91	23	85	14	Rc1/8"	4-9	65
	15	KM03015	60	3-G1/2"	209	108	12	20	86	2-M12	6	33	100	30	120	12	Rc1/8"	4-9	90
KM04	08	KM04008	45	4-G1/4"	178	90	6	18	80	2-M12	5	28	86.5	18	85	12	Rc1/8"	4-9	65
	10	KM04010	60	4-G3/8"	221	108	9	22	86	2-M12	6	32	97	26	120	14	Rc1/8"	4-9	90
	15	KM04015	75	4-G1/2"	245	115	12	29	91	2-M12	6	31	104	30	130	16	Rc1/8"	4-9	110
KM06	06	KM06006	50	6-G1/8"	208	78	6	25	85	4-M10	5	/	62	20	115	14	/	6-8.5	95
	08	KM06008	50	6-G1/4"	232	78	6	25	85	4-M10	5	/	64	24	115	14	/	6-8.5	95
	10	KM06010	70	6-G3/8"	270	105	9	35	170	4-M12	5	/	70	28	145	15	/	6-8.5	125
	15	KM06015	80	6-G1/2"	300	118	12	40	205	4-M12	5	/	77	32	165	20	/	6-13.5	145
KM08	06	KM08006	60	8-G1/8"	278	105	6	35	175	4-M12	5	/	67	22	145	15	/	8-8.5	125
	08	KM08008	60	8-G1/4"	310	105	6	35	205	4-M12	5	/	69	26	145	15	/	8-8.5	125
	10	KM08010	70	8-G1/8"	330	115	9	45	225	4-M12	5	/	73	28	155	15	/	8-8.5	135

KBP Series Multi-channel Mechanical Seal Rotary Joints



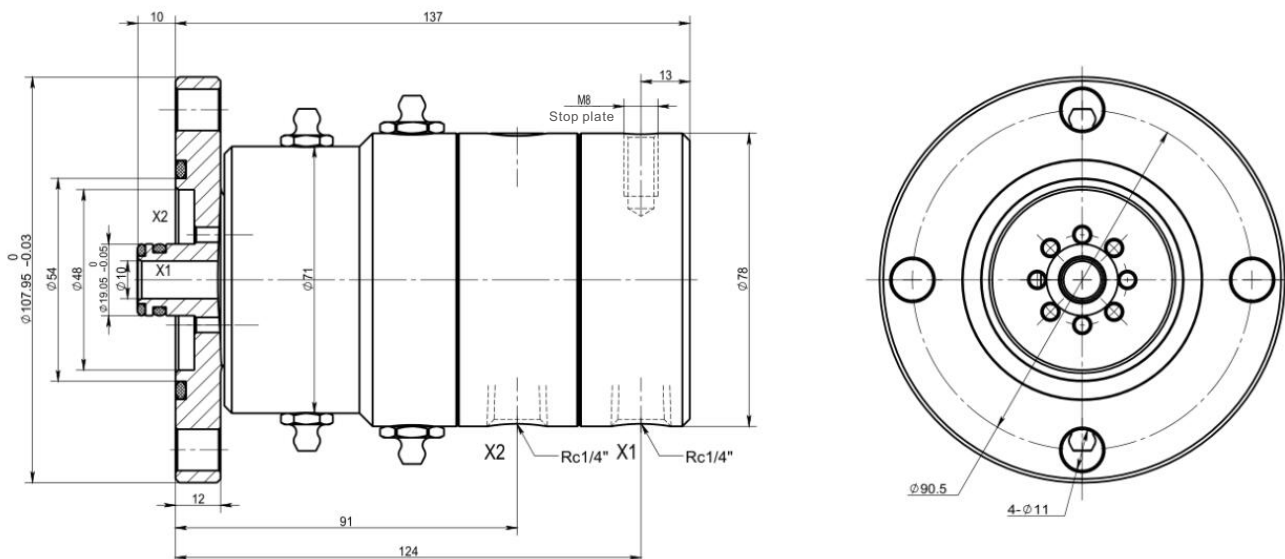
Applicable medium	Temperature	Max pressure	Max Rotary Speed
Water	-30~+80°C	7Mpa	3000RPM
Air			
Hydraulic oil			

Product Features

- ▲ Multi-channel mechanical seal structure can be applied to high-speed rotary compressed air equipment;
- ▲ Supported by two imported ball bearings, the rotation is stable;
- ▲ Multi-spring design structure provides stable spring force for the sealing surface;
- ▲ Balanced mechanical tight structure design, reducing the impact of pressure change load on the sealing surface and prolonging the service life;
- ▲ There is an observation hole in the shell, which can observe the leakage and friction.

IMPORTANT NOTICE

1. Please read the order instructions when ordering, and indicate the working medium and pressure of each channel;
2. After installation, it must be ensured that one leakage hole is vertically downward;
3. The pressure of X1 channel should not be larger than the pressure of X2 channel 04Mpa.



K380 Series Rotary Joints

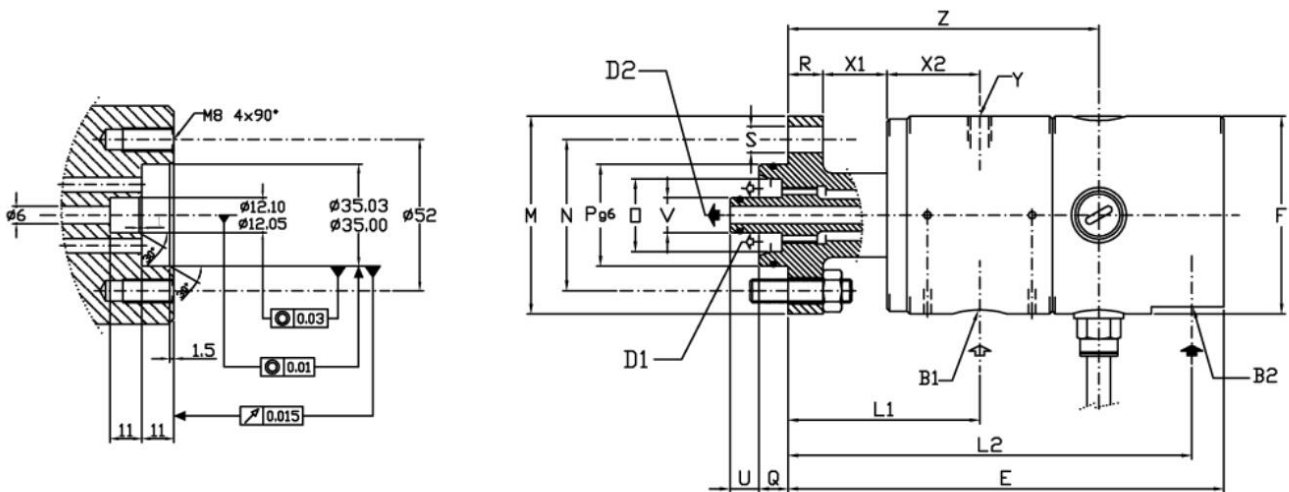
throughfare	Applicable medium	Max pressure	Max pressure	Temperature
B1 channel	Hydraulic oil	70bar	5bar/5000rpm 70bar/10rpm	90°C
B2 channel	Coolant	40bar	5000rpm	
	Capable of dry conversion	/		



Product Features

- ▲ Multi channel mechanical seal structure, suitable for high-speed rotating compressed air equipment;
- ▲ Two imported ball bearings support and rotate smoothly;
- ▲ Multi spring design structure provides stable spring force for the sealing surface;
- ▲ Balanced mechanical sealing design, reducing the impact of pressure changes and loads on the sealing surface, and extending the service life;
- ▲ The shell is equipped with observation holes to observe leakage and friction.

Dimension



Dual channel using two different fluids

Model	B1-B2	D1	D2	E	φF	L1	L2	φM	φN	φO	φPg6	Q	R	φS	U	φV	X1	X2	Y	Z	Kg
K380-105-06F	G1/4"	40mm2	φ6 28mm2	150	68	66	139	68	52	25	35	10	12	94x90°	10	12	22	32	M8	107	1.5

KMT Series Hydraulic swivel joints

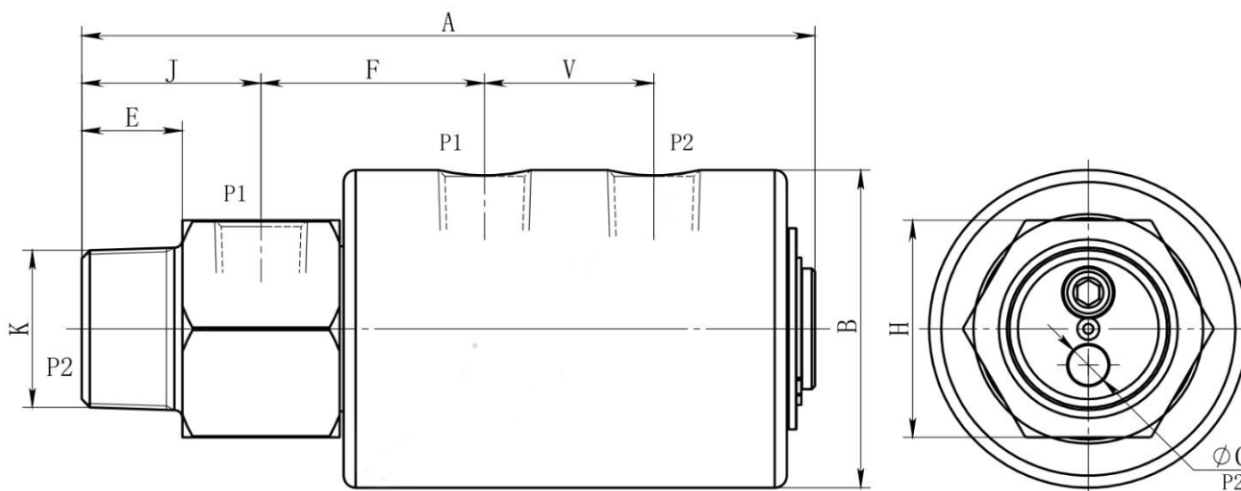
Applicable medium	Temperature	Max pressure	Max Rotary Speed
Compressed air	-30~ +80°C	1.1Mpa	300RPM
Hydraulic oil Series			



Product Features

- ▲ Two wide precision bearings support, ensuring smooth operation and lifelong maintenance free bearing;
- ▲ Imported specialized sealing components ensure longevity and destiny;
- ▲ Specially treated core shaft to ensure sufficient wear resistance;
- ▲ The shell is made of aluminum alloy;
- ▲ Special products can be customized according to customer conditions.

Dimension



Types of	DN	Model	k	P1/P2	A	B	C	E	J	F	V	H
KMT02	20	KMT02020.01	R3/4"-RH	Rc3/8"	155	69	6	22	38	47	34	46
	25	KMT02025.01	R1"-RH	Rc3/8"	155	69	8	22	38	47	34	46
	32	KMT02032.01	R1"-1/4"-RH	Rc1/2"	182	79	12	25	45	56	42	54
	40	KMT02040.01	R1"-1/2"-RH	Rc3/4"	193	88	15	28	4	57	44	65

MK Series Pneumatic Rotary Union

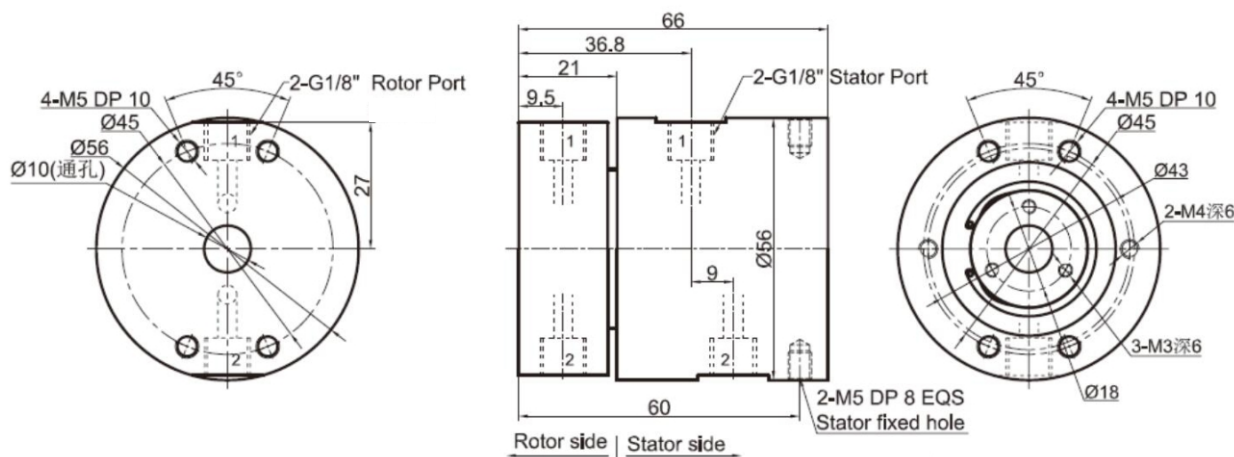
Applicable medium	Temperature	pressure	Max Rotary Speed
compressed air	-30°C ~ +80°C	10bar (Customizable high voltage)	500RPM
vacuum		vacuum 0.01torr	



Product Features

- ▲ Simultaneously transmitting gas, power signal, and other media while rotating 360 degrees;
- ▲ Supports 1/2/3/4/5/6/8/10/12/16/24 gas channels;
- ▲ Standard interfaces include G1/8", G3/8", etc., which can be customized according to customer requirements;
- ▲ Can transmit compressed air, vacuum, hydraulic oil, water, hot water, coolant, steam and other media, and can customize special requirements such as high-speed and high-pressure according to requirements.

MK208 (pure pneumatic rotary joint) 2 in and 2 out Dimension



Model	Number of gas channels	interface size	Adaptable trachea
MK208	2	G1/8"	6-8mm
MK210	2	G3/8"	10-12mm
MK408	4	G1/8"	6-8mm
MK410	4	G3/8"	10-12mm
MK808	8	G1/8"	6-8mm
MK810	8	G3/8"	10-12mm
MK1208	12	G1/8"	6-8mm
MK1210	12	G3/8"	10-12mm
MK2408	24	G1/8"	6-8mm
MK2410	24	G3/8"	10-12mm

Note: If you need the corresponding model drawings, please contact sales personnel.

MQR Ultra Low Torque Pneumatic Rotary Union

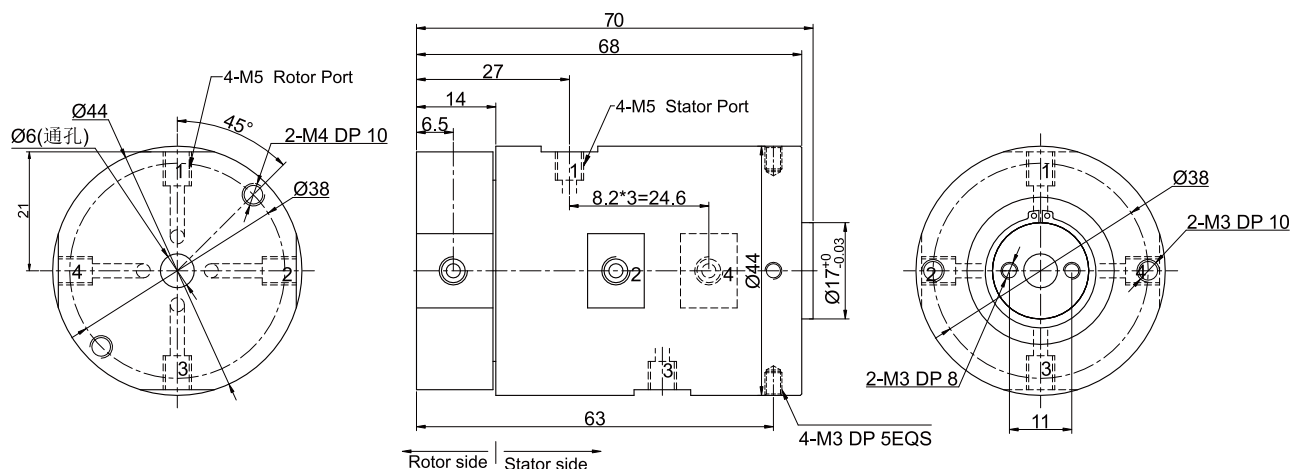


Gas Channel	1~16	Max Pressure	1MPa
vacuum pressure	-80KPa	Max rotary Speed	300RPM
Material Quality	Stainless steel aluminum alloy	Operation Temperature	-20°C to 80°C (Customizable high temperature resistance)
Interface Size	M5	Protection Grade	IP51
Seismic level	MIL-SID-810E	Working Humidity	10% to 85% RH
Material	RoHS	CE	Yes

Product Features

- ▲ Can completely replace various series of SMC pneumatic rotary joints;
- ▲ Can be achieved through 1/2/4/6/8/12/16 channels for air pressure or vacuum;
- ▲ Extremely low rotational torque;
- ▲ The standard interface size is M5;
- ▲ Gas pipe diameter can be customized according to customer requirements;
- ▲ Solid, without intermediate through-holes, small size, light weight, and low torque;

MQR4 Dimensional Drawing 4 in and 4 out, M5



Model	Gas channel	Interface size	torque	Negative vacuum	Max pressure	Max Rotary Speed
MQR2	2	M5	0.2N.m	-80KPa	1MPa	300RPM
MQR4	4	M5	0.3N.m	-80KPa	1MPa	300RPM
MQR6	6	M5	0.5N.m	-80KPa	1MPa	300RPM
MQR8	8	M5	0.6N.m	-80KPa	1MPa	300RPM
MQR12	12	M5	1.0N.m	-80KPa	1MPa	300RPM
MQR16	16	M5	1.3N.m	-80KPa	1MPa	300RPM

Note: If you need the corresponding model drawings, please contact sales personnel.

KMD Series Hydraulic swivel joints

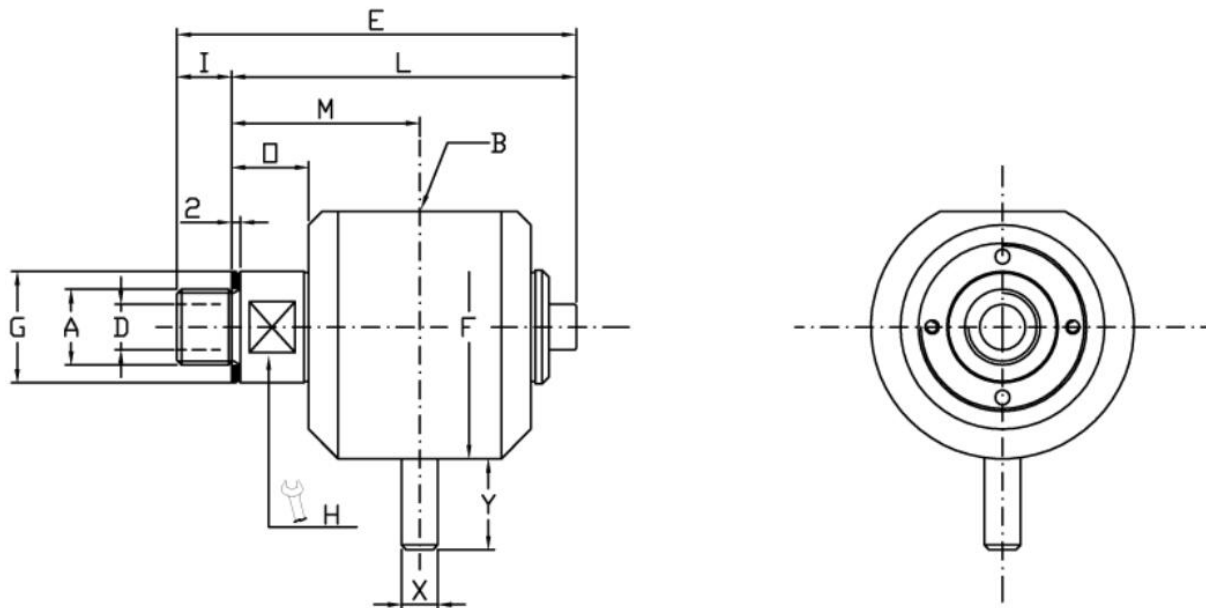
Applicable medium	Temperature	Max pressure	Max Rotary Speed
Air	10bar	90°C	300RPM
Hydraulic oil	300bar		



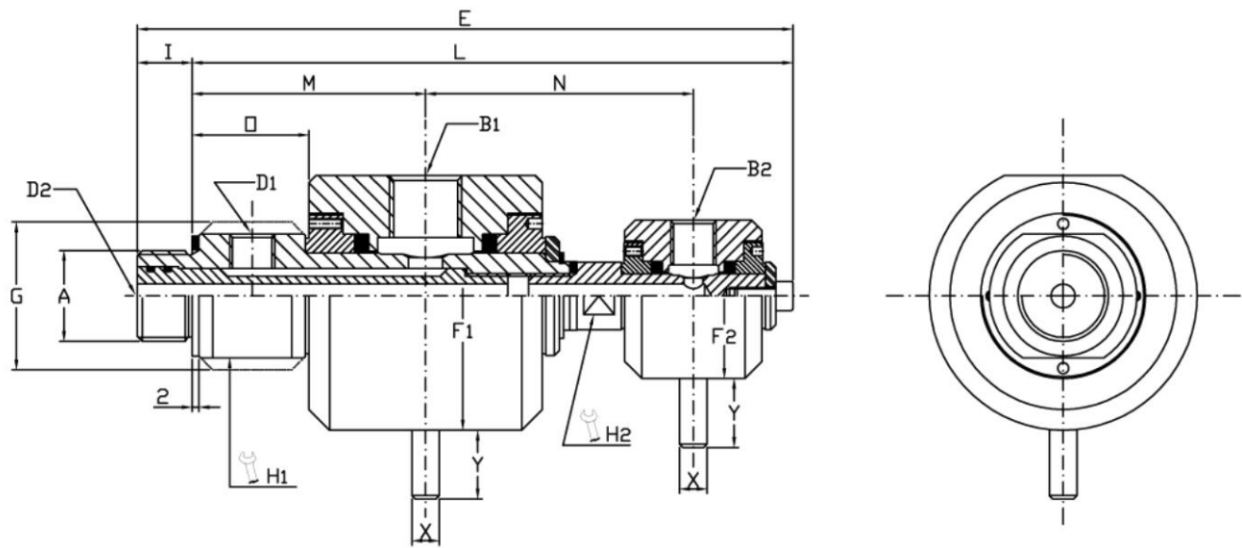
Product Features

- ▲ Balanced mechanical air seal design, using stainless steel springs to compensate for wear and tear, longer life cycle;
- ▲ The sealing material is a wear-resistant tungsten carbide material imported from Germany to ensure high quality and high pressure resistance;
- ▲ Double bearings, using imported bearings to ensure that the deflection and clearance are in the ideal range at high speeds;
- ▲ The stainless steel shaft is heat-treated and ground to ensure rigidity without deformation for a long time and no eccentric force;
- ▲ A pair of friction pairs are processed by mirror grinding to ensure long life and high pressure resistance.

Dimension



Model	A	B	φD	E	φF	φG	H	I	L	M	O	X	Y	Kg
KM108-1000-01R	G1/4"RH	G1/4"	7	77	48	19.5	17	12	65	36	16	8	20	0.4
KM110-1000-01R	G3/8"RH	G3/8"	10	88	58	24.5	22	12	76	41.5	17	8	20	0.5
KM115-1000-01R	G1/2"RH	G1/2"	12	88	58	27.5	24	14	74	39.5	15	8	20	0.5
KM120-1000-01R	G3/4"RH	G3/4"	17.5	119	78	34.5	28	16	103	56	22	8	20	0.3



Model Selection table

Model	A	B1	B2	D1	$\phi D2$	E	$\phi F1$	$\phi F2$	ϕG	H1	H2	I	L	M	N	O	X	Y	Kg
KM120-1002-11R	G3/4"RH	G1/2"	G1/4"	G1/4"	7	191	78	48	43	38	17	16	175	68	78	34	8	20	1.3



MOFLON

MOFLON TECHNOLOGY CO.,LIMITED.

Building B,Severin Industrial Park,shajing,Shenzhen,518104

Sales 0755-3358 3333

Telephone: 0755-3319 6786

Technical Support: 0755-3385 2999

Fax 0755-3319 7426

Website: www.moflon.com

Technical email: technical@moflon.com

Sales email: sales@moflon.com