

KC Series High pressure rotary joints

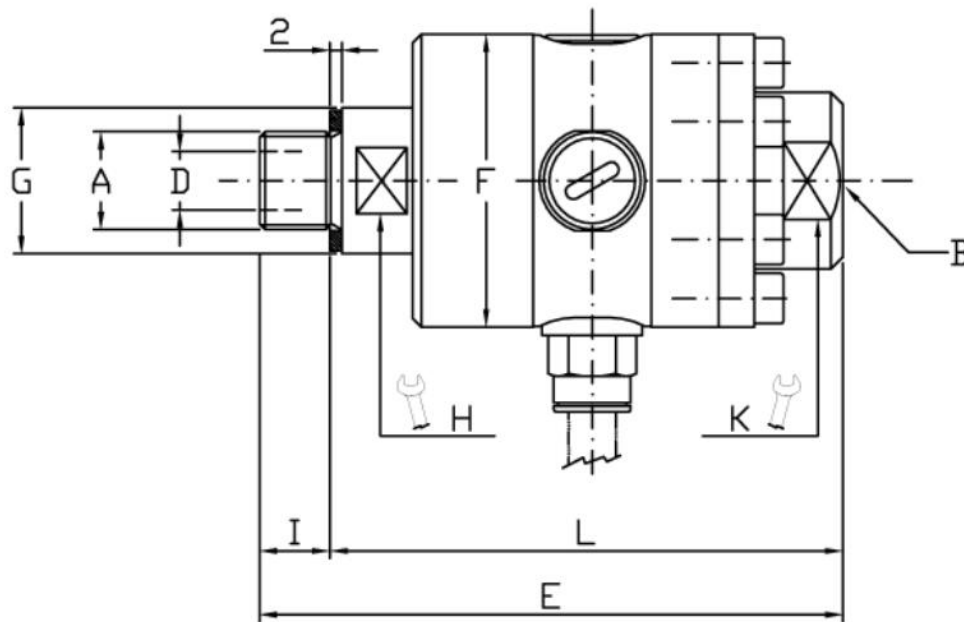
Applicable medium	Temperature	Max pressure	Max Rotary Speed
Water	90°C	1/4"-1/2"(400bar)	1/4"-1/2"(1500RPM)
Hydraulic oil		3/4"(250bar)	3/4"(800RPM)



Product Features

- ▲ Balanced mechanical air seal design, using stainless steel springs to compensate for wear and tear, longer life cycle;
- ▲ The sealing material is a wear-resistant tungsten carbide material imported from Germany to ensure high quality and high pressure resistance;
- ▲ Double bearings, using imported bearings to ensure that the deflection and clearance are in the ideal range at high speeds;
- ▲ The stainless steel shaft is heat-treated and ground to ensure rigidity without deformation for a long time and no eccentric force;
- ▲ A pair of friction pairs are processed by mirror grinding to ensure long life and high pressure resistance.

Dimension



Model	A	B	φD	E	φF	G	H	K	I	L	Kg
KC08-1301-01R	G1/4" RH	G1/4"	7	99	49.5	19.8	17	27	12	87	0.8
KC10-1301-01R	G3/8" RH	G3/8"	9	99	49.5	24.5	22	27	12	87	0.8
KC15-1301-01R	G1/2" RH	G1/2"	12	106	49.5	27.5	24	27	14	92	0.8
KC20-1301-01R	G3/4" RH	G3/4"	18	120	74	34.5	28	68	16	104	2.3