

# KG High Speed rotary joints

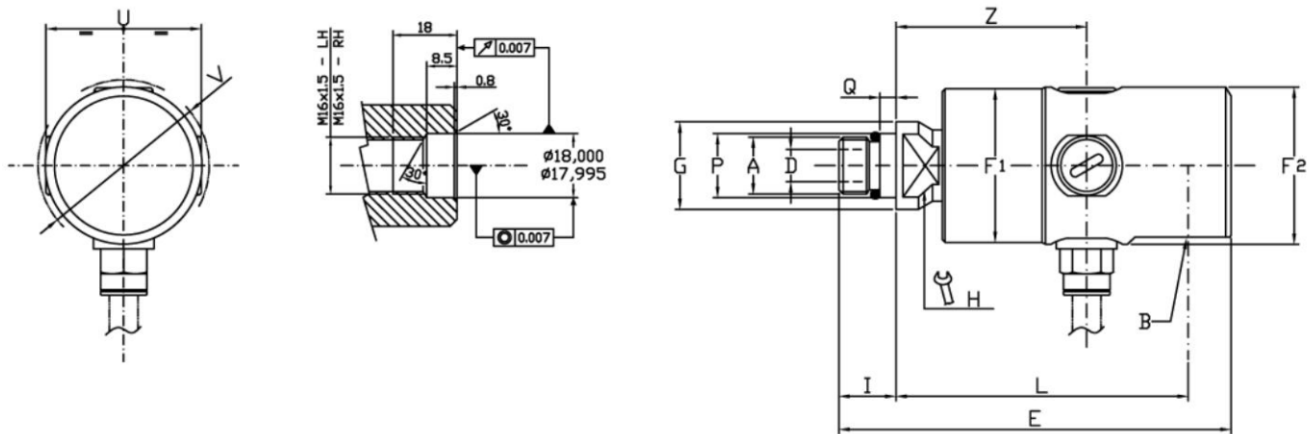
Applicable medium	Temperature	Max pressure	Max Rotary Speed
Coolant	90°C	100bar	15000RPM
Hydraulic oil/ Mist			



## Product Features

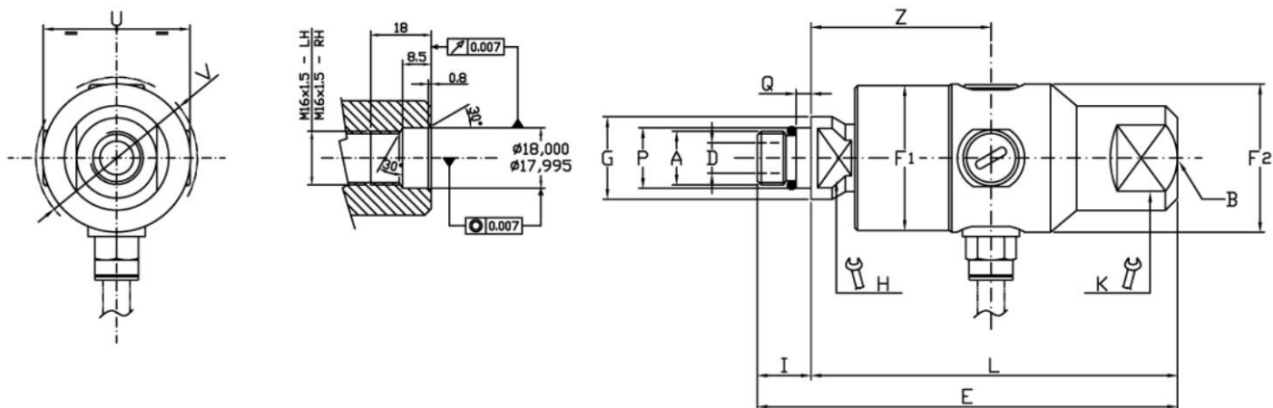
- ▲ The labyrinth seal and guide hole structure can protect the bearings;
- ▲ Optimized balanced sealing design to minimize friction;
- ▲ The stainless steel spring is located outside the flow channel, with a large flow area and small pressure loss;
- ▲ Silicon carbide dynamic sealing enhances toughness and impact resistance;
- ▲ Matched sealing surface, the selected material meets specific working conditions.

## Radial connection diagram



Radial connection																
Model	A	B	φD	E	φF1	φF2	φG	H	I	L	φP	Q	U	φV	Z	Kg
KGA08-1301-04R	M16x1.5RH	G1/4"	5	91	34	34.4	24.5	17	16	66	18	4.5	35	38	41	0.3
KGA08-1301-05L	M16x1.5LH															
KGA10-1301-04R	M16x1.5LH	G3/8"	9	110	43	44	24.5	17	16	82	18	4.5	43.6	47.5	53.5	0.5
KGA10-1301-05L	M16x1.5RH															

Axial connection diagram



Axial connection																
Model	A	B	$\phi D$	E	$\phi F1$	$\phi F2$	$\phi G$	H	I	L	$\phi P$	Q	U	$\phi V$	Z	Kg
KGA08-1302-04R	M16x1.5RH	G1/4"	5	108	44	34.4	24.5	17	16	92	18	4.5	35	38	41	0.3
KGA08-1302-05L	M16x1.5LH															
KGA08-1302-04R	M16x1.5LH	G3/8"	9	125	43	44	24.5	17	16	109	18	4.5	43.6	47.5	53.5	0.5
KGA08-1302-05L	M16x1.5RH															