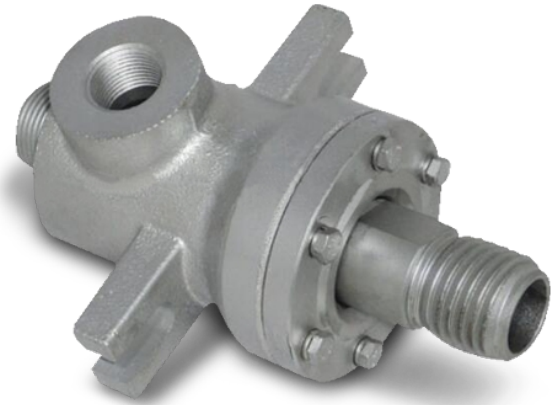


KQS-Y Series Steam swivel joints

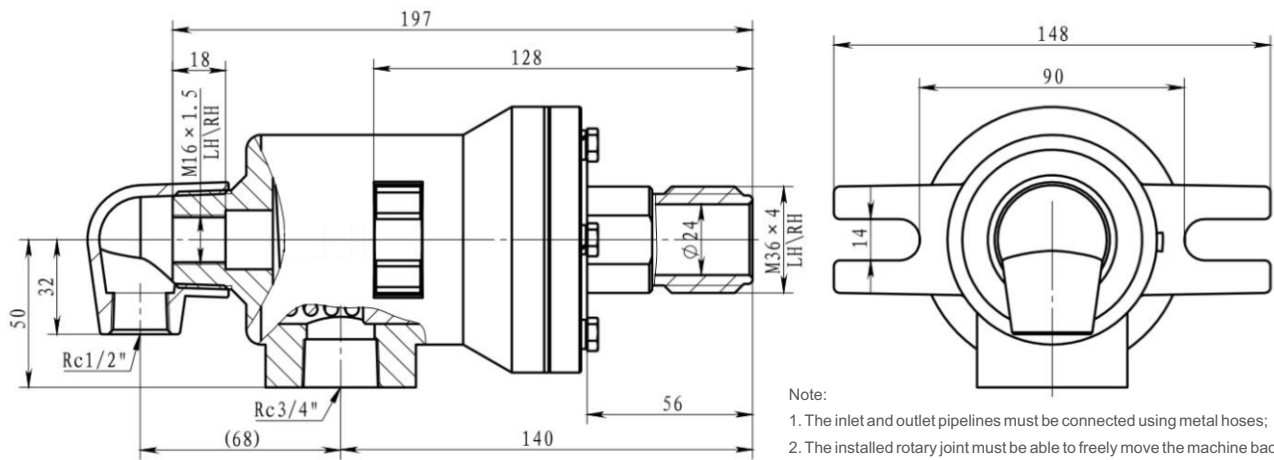
Applicable medium	Temperature	Max pressure	Max Rotary Speed
steam	220°C	1.8Mpa	100RPM



Product Features

- ▲ Completely adopts no oil supply type, easy to maintain;
- ▲ Can be used under high temperature and pressure conditions;
- ▲ Minimal wear and tear, able to maintain excellent performance for a long time;
- ▲ The structure is simple, so it is easy to repair after wear and tear.

KQS-YM36X4 Steam rotary joint (fixed inner pipe)



- Note:
1. The inlet and outlet pipelines must be connected using metal hoses;
 2. The installed rotary joint must be able to freely move the machine back and forth at a certain angle, and it is strictly prohibited to fix the rotary joint;
 3. Both internal and external pipe threads need to be confirmed to be left and right turned.

KQS-YM45×3 Steam rotary joint (fixed inner pipe)

