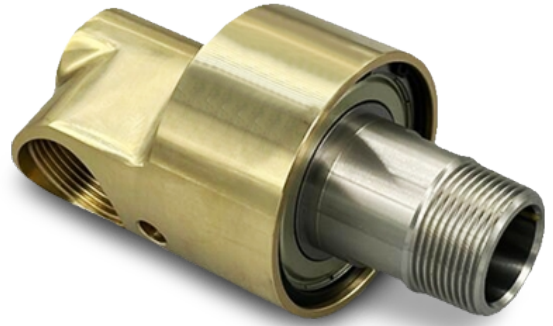


# KRX Series Rotary Joints

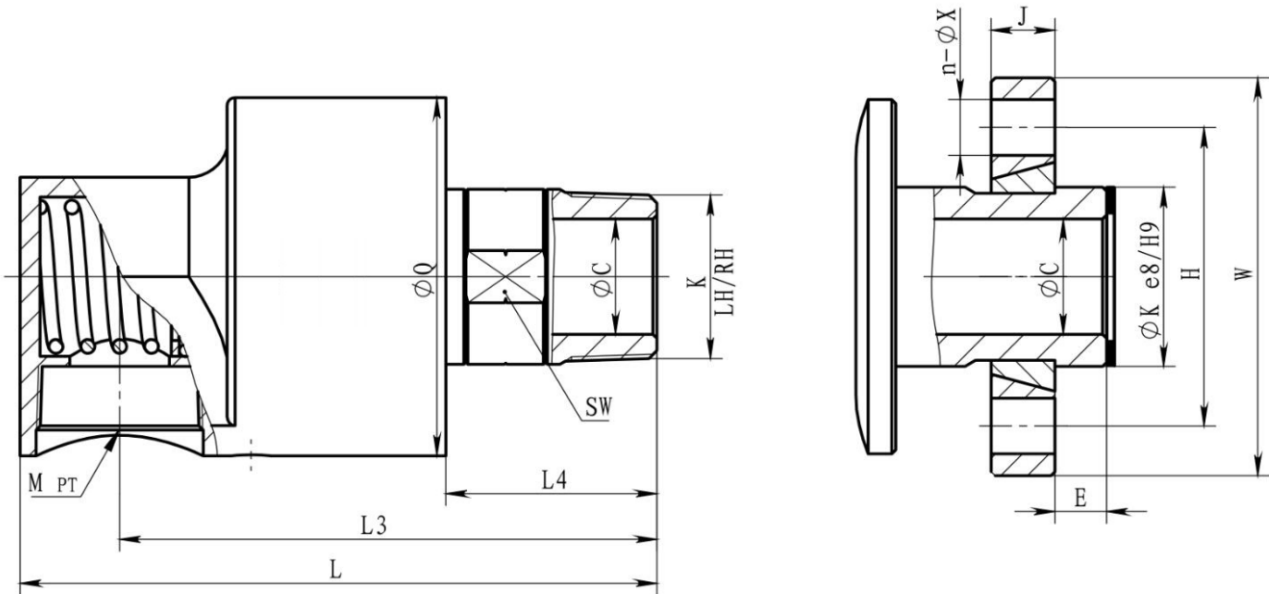
| Applicable medium | Temperature | Max pressure | Max Rotary Speed |
|-------------------|-------------|--------------|------------------|
| Water             | 90°C        | 1.1Mpa       | 1500RPM          |



## Product Features

- ▲ Brass shell, corrosion-resistant stainless steel rotor;
- ▲ The combination of fine ceramic material and carbon sealing ring has high speed and low torque performance;
- ▲ Enclosed bearings are used, and lubrication is carried out during the service life, and no maintenance is required except for regular inspections and no leakage caused by wear of the rotary joint.

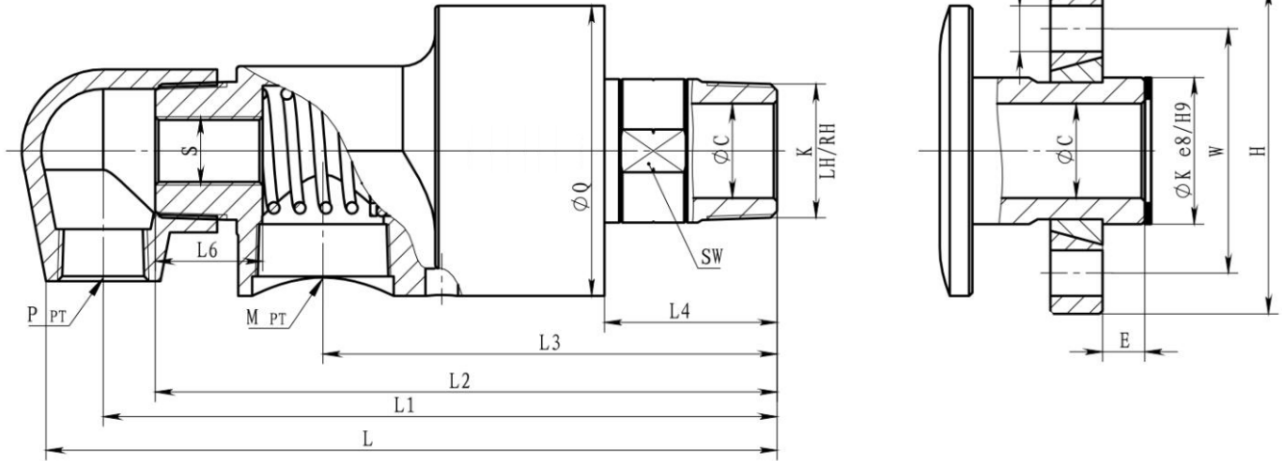
## KRXM Single-channel rotary joint



| Standard size |        | K       | M        | L   | L3  | L4 | Q   | SM | Flange rotor |    |     |     |    |    |              |
|---------------|--------|---------|----------|-----|-----|----|-----|----|--------------|----|-----|-----|----|----|--------------|
|               |        |         |          |     |     |    |     |    | C            | K  | W   | H   | E  | J  | n-X          |
| 010           | 3/8"   | R3/8"   | Rc3/8"   | 111 | 95  | 38 | 55  | 22 | 8            | 20 | 40  | 60  | 8  | 14 | 4- $\phi 10$ |
| 015           | 1/2"   | R1/2"   | Rc1/2"   | 111 | 95  | 38 | 55  | 22 | 12           | 25 | 50  | 70  | 8  | 14 | 4- $\phi 10$ |
| 020           | 3/4"   | R3/4"   | Rc3/4"   | 120 | 103 | 38 | 62  | 27 | 16           | 30 | 55  | 80  | 11 | 14 | 4- $\phi 12$ |
| 025           | 1"     | R1"     | Rc1"     | 138 | 115 | 48 | 72  | 32 | 22           | 35 | 65  | 90  | 11 | 14 | 4- $\phi 12$ |
| 032           | 1-1/4" | R1-1/4" | Rc1-1/4" | 165 | 137 | 55 | 90  | 42 | 29           | 45 | 75  | 100 | 13 | 16 | 4- $\phi 14$ |
| 040           | 1-1/2" | R1-1/2" | Rc1-1/2" | 185 | 153 | 60 | 95  | 47 | 35           | 50 | 85  | 115 | 13 | 16 | 4- $\phi 14$ |
| 050           | 2"     | R2"     | Rc2"     | 230 | 190 | 65 | 120 | 59 | 45           | 60 | 98  | 125 | 16 | 16 | 4- $\phi 14$ |
| 065           | 2-1/2" | R2-1/2" | Rc2-1/2" | 256 | 211 | 75 | 152 | 72 | 60           | 75 | 110 | 140 | 19 | 18 | 4- $\phi 14$ |
| 080           | 3"     | R3"     | Rc3"     | 294 | 240 | 90 | 180 | 87 | 70           | 90 | 130 | 160 | 25 | 20 | 6- $\phi 14$ |

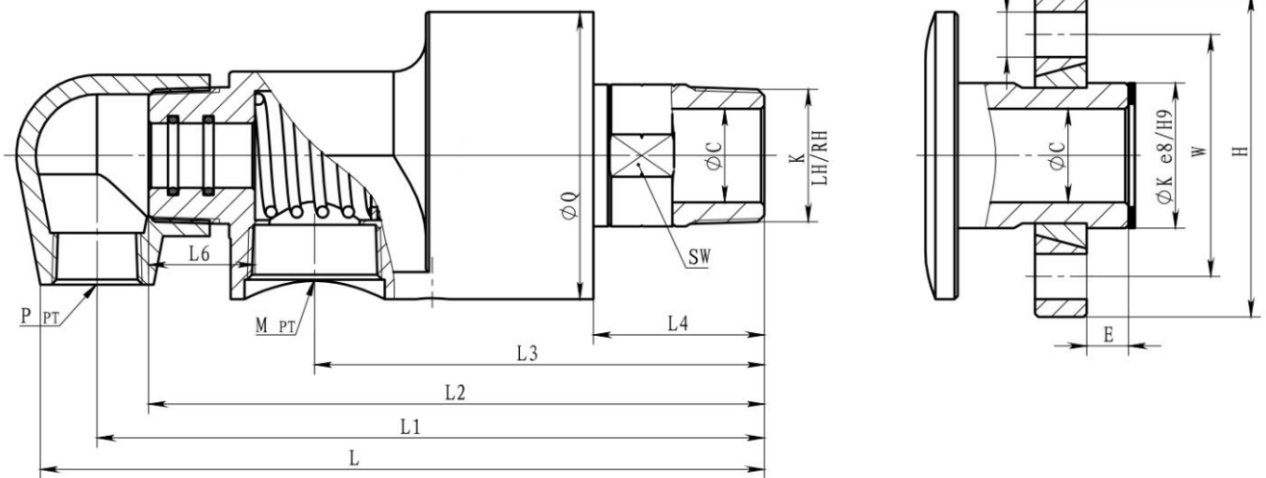
Note: With the difference of medium, caliber, pressure, rotating speed and temperature, the use limitation will also be different. Under special conditions, please contact Moflon Technology Co., Ltd. to determine the safety limitation.

KRXD Two-channel rotary joint (inner tube fixed)



| Standard size |        | K       | M        | L   | L3  | L4 | Q   | SM | Flange rotor |    |     |     |    |    |       |
|---------------|--------|---------|----------|-----|-----|----|-----|----|--------------|----|-----|-----|----|----|-------|
|               |        |         |          |     |     |    |     |    | C            | K  | W   | H   | E  | J  | n-X   |
| 010           | 3/8"   | R3/8"   | Rc3/8"   | 111 | 95  | 38 | 55  | 22 | 8            | 20 | 40  | 60  | 8  | 14 | 4-φ10 |
| 015           | 1/2"   | R1/2"   | Rc1/2"   | 111 | 95  | 38 | 55  | 22 | 12           | 25 | 50  | 70  | 8  | 14 | 4-φ10 |
| 020           | 3/4"   | R3/4"   | Rc3/4"   | 120 | 103 | 38 | 62  | 27 | 16           | 30 | 55  | 80  | 11 | 14 | 4-φ12 |
| 025           | 1"     | R1"     | Rc1"     | 138 | 115 | 48 | 72  | 32 | 22           | 35 | 65  | 90  | 11 | 14 | 4-φ12 |
| 032           | 1-1/4" | R1-1/4" | Rc1-1/4" | 165 | 137 | 55 | 90  | 42 | 29           | 45 | 75  | 100 | 13 | 16 | 4-φ14 |
| 040           | 1-1/2" | R1-1/2" | Rc1-1/2" | 185 | 153 | 60 | 95  | 47 | 35           | 50 | 85  | 115 | 13 | 16 | 4-φ14 |
| 050           | 2"     | R2"     | Rc2"     | 230 | 190 | 65 | 120 | 59 | 45           | 60 | 98  | 125 | 16 | 16 | 4-φ14 |
| 065           | 2-1/2" | R2-1/2" | Rc2-1/2" | 256 | 211 | 75 | 152 | 72 | 60           | 75 | 110 | 140 | 19 | 18 | 4-φ14 |
| 080           | 3"     | R3"     | Rc3"     | 294 | 240 | 90 | 180 | 87 | 70           | 90 | 130 | 160 | 25 | 20 | 6-φ14 |

KRXR two-channel rotary joint (inner tube rotation)



| Standard size |        | K       | M        | L   | L3  | L4 | Q   | SM | Flange rotor |    |     |     |    |    |       |
|---------------|--------|---------|----------|-----|-----|----|-----|----|--------------|----|-----|-----|----|----|-------|
|               |        |         |          |     |     |    |     |    | C            | K  | W   | H   | E  | J  | n-X   |
| 010           | 3/8"   | R3/8"   | Rc3/8"   | 111 | 95  | 38 | 55  | 22 | 8            | 20 | 40  | 60  | 8  | 14 | 4-φ10 |
| 015           | 1/2"   | R1/2"   | Rc1/2"   | 111 | 95  | 38 | 55  | 22 | 12           | 25 | 50  | 70  | 8  | 14 | 4-φ10 |
| 020           | 3/4"   | R3/4"   | Rc3/4"   | 120 | 103 | 38 | 62  | 27 | 16           | 30 | 55  | 80  | 11 | 14 | 4-φ12 |
| 025           | 1"     | R1"     | Rc1"     | 138 | 115 | 48 | 72  | 32 | 22           | 35 | 65  | 90  | 11 | 14 | 4-φ12 |
| 032           | 1-1/4" | R1-1/4" | Rc1-1/4" | 165 | 137 | 55 | 90  | 42 | 29           | 45 | 75  | 100 | 13 | 16 | 4-φ14 |
| 040           | 1-1/2" | R1-1/2" | Rc1-1/2" | 185 | 153 | 60 | 95  | 47 | 35           | 50 | 85  | 115 | 13 | 16 | 4-φ14 |
| 050           | 2"     | R2"     | Rc2"     | 230 | 190 | 65 | 120 | 59 | 45           | 60 | 98  | 125 | 16 | 16 | 4-φ14 |
| 065           | 2-1/2" | R2-1/2" | Rc2-1/2" | 256 | 211 | 75 | 152 | 72 | 60           | 75 | 110 | 140 | 19 | 18 | 4-φ14 |
| 080           | 3"     | R3"     | Rc3"     | 294 | 240 | 90 | 180 | 87 | 70           | 90 | 130 | 160 | 25 | 20 | 6-φ14 |