

# MCGP compact Multi-function rotaty joint

## Main features

- MCGP rotary joint have series 2,4,6,8,12,16 and 24 passages as standard specification.
- These rotary joints have a wide range of pressures and are designed for applications with limited space requirements.
- Features include special seals, suitable for up to 7,500 PSI can simultaneously transport different types of media.

All MCGP series models are equipped with threaded connections on both sides of the shaft and housing. Models are also available With optional shaft O-rings for face/flush mounting (must be specified when ordering).

## List

MCGP compact rotaty joint Options			
Model	Passages	Port size	Pressure
MCGP21	2 passages	G1/8"	0-50MPa
MCGP41	4 passages	G1/8"	0-50MPa
MCGP61	6 passages	G1/8"	0-50MPa
MCGP81	8 passages	G1/8"	0-50MPa
MCGP121	12 passages	G1/8"	0-50MPa
MCGP161	16 passages	G1/8"	0-50MPa
MCGP241	24 passages	G1/8"	0-50MPa

## Technical specifications

Mechanical Specifications		Rotary joint part specification	
Parameters	Value	Parameters	Value
life span	Reference	Number of channels	2, 4, 6, 8, 12, 16, 24 channels, G1/8"
Rated speed	Reference	greatest pressure	50MPa (customizable high pressure), vacuum 30HG
Operating temperature	-30°C~80°C	Media can be	Air, vacuum, hydraulic oil, water, hot water, coolant, steam, etc.
Working humidity	0-85% RH	Torque	Related to the interface size, see selection table
Seals	Reference		
Shell material	Aluminum alloy/steel		
Protection level	IP51		

## Product Grade Selection Table

Product grade code	Max speed	Life	Seals
VC (general level)	150RPM	6 millions	Domestic famous brand seals
VD (industrial grade)	150RPM	20 millions	Imported seals

## Customization options

Note: The following special requirements can be customized, the delivery time will increase by 3 to 15 days, the cost increases by 5% to 50%, most of the company's basic accessories are standardized, modular, non-standard customization can greatly reduce costs And delivery period.

1. Connector size
2. pressure
3. High and low speed
- 4 hollow bore size
5. Corrosive media, all stainless steel, explosion-proof, high temperature
6. can be combined with the electric slip ring

Technical Support E-mail: [technical@moflon.com](mailto:technical@moflon.com)

Model description

# MCGP 21 - VC

MCGP: Compact rotary joint

2: 2 in 2 out

1: Port size, 1=G1/8", 2=G1/4", 3=G3/8"  
4=G1/2", 5=G5/8", 6=G3/4", 8=G1", 10=G(1+1/4")

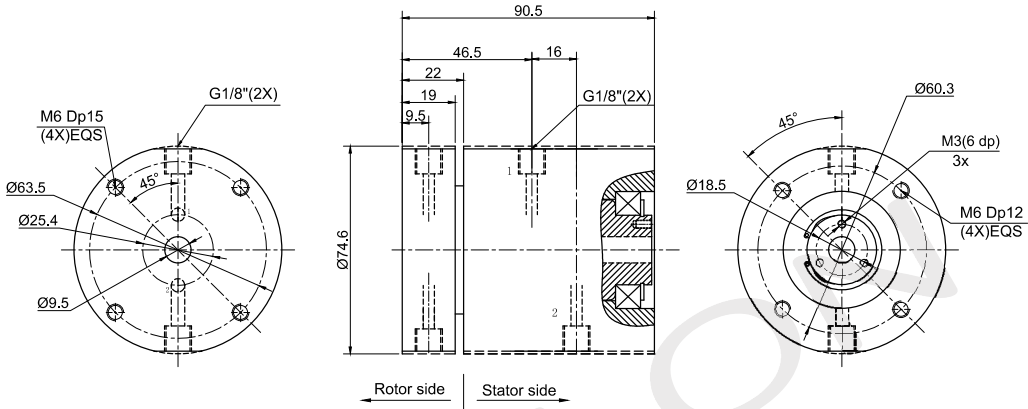
Product grade code

VC General Grade Product Grade

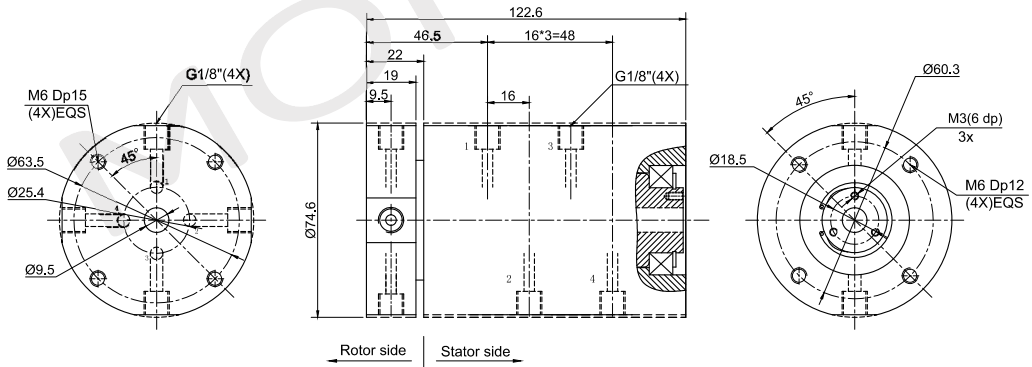
VD industrial grade

Default omitted = VC general product level

MCGP21 (Compact Multi-Function Rotary Joint) Dimension Drawing 2 In 2 Out G1/8" Teeth



MCGP41 (Compact Multi-Function Rotary Joint) Dimension Drawing 4 In 4 Out G1/8" Teeth



MCGP61 (Compact Multi-Function Rotary Joint) Dimension Drawing 6 In 6 Out G1/8" Teeth

