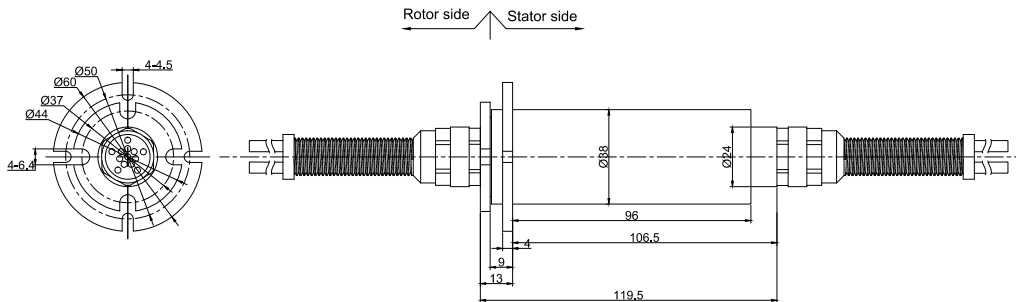


MFO1000C series

10 Channels fiber optic+electric slip rings



MFO1000C can combine 10 channels optical fiber and electric(1~72wires). It adopts complete aluminum alloy structure, can support signal(5A). Rotary joint of FORJ+Electric is also called photoelectrical slip ring, photoelectricity collector ring, which adopts fiber optic as data transmission media to solve the data transmission between system units. It can perfectly transmit data on 360° rotating. It is also especially suitable for occasion where it needs to transmit large volume data/signal from permanent position to rotation position on unlimited, continuous or discontinuous rotating, which can improve mechanical property, simplify system operation and avoid the rotating of turning joints destroy fiber optics. Fiber optic rotary joint can be combined with traditional electric slip ring to transmit power and high-speed data.



Part # Explanation

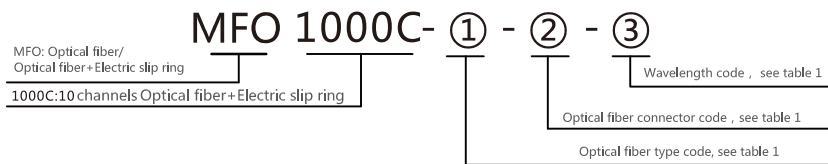


Table 1

Fiber Type Code	Fiber Connector Code	Wavelength Code
01: 9/125um, Single-mode	FC: FC Connector ST: ST Connector	01: 1310/1550(Single-mode)
02: 50/125um, Multiple-mode	SC: SC Connector LC: LC Connector	02: 850/1310(Multiple-mode)
03: 62.5/125m, Multiple-mode	The connector face is PC by default , If APC is needed, APC shouldbe added behind APC, such as FC/APC.	

Specifications

Items	Type	Single-Mode	Single-Mode
		±50	
WaveWidth(nm)		±50	
Max insert Loss, 23°C(dB)	4	3.5	
Insert Loss Ripple(dB)	2	1	
Return Loss(dB)	≥50(No connector)	≥40(No connector)	
Max Power(W)	0.5		
Weight(g)	200(No fiber optic cable)		
Max Rotating Speed(rpm)	250		
Working Life	>100 million turn		
Working Temperature(°C)	-45~85		
Storage Temperature(°C)	-50~85		
Protection Grade	IP65		
Fiber length	1M		