

# MMC182 Miniature Capsule Slip Rings

OD 12.5mm

MMC182 slip rings are small and compact with OD 12.5mm \* L 18.2mm, standard, off-the-shelf. Color-coded lead wires are used on both the stator and rotor for simplified electrical connections. Using a 90° V-groove ring design for each ring.

MMC1829 is the high-end version corresponding to MMC182, It has higher performance and longer working life, higher speed rotating speed, low noise.



## Part# Explanation

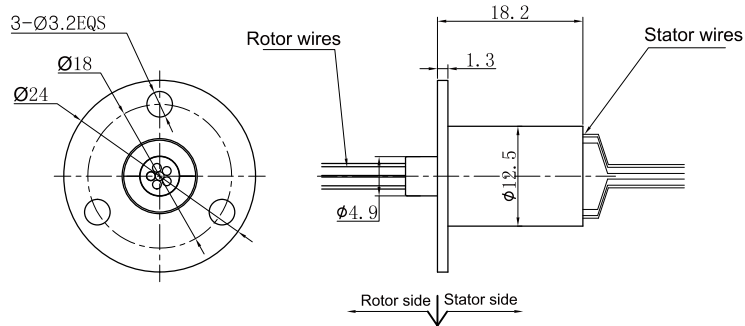
### MMC 182(9)-FL01

MMC:miniature capsule slip ring  
182:common quality version  
1829:high-end quality version

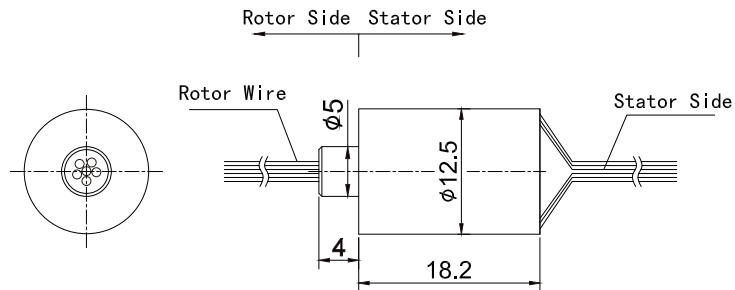
FL01: flange type

## Dimensions

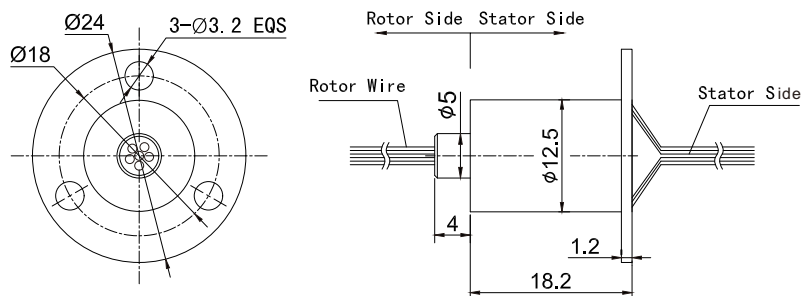
MMC182 Standard Model



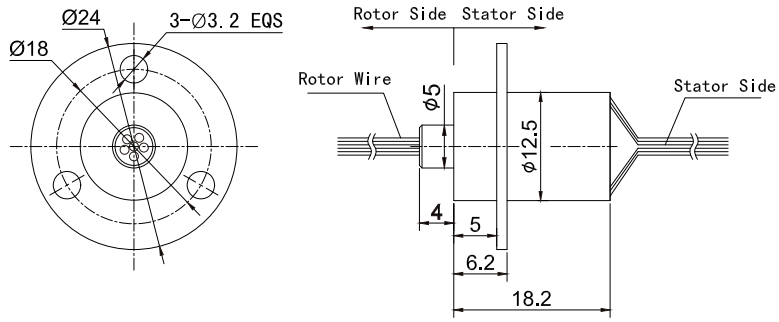
MMC182 - FL00



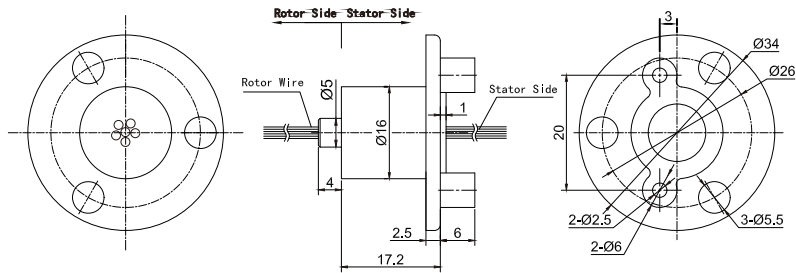
MMC182-FL01



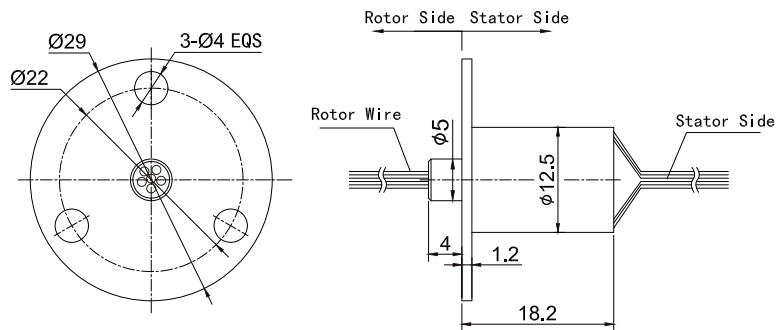
MMC182-FL02



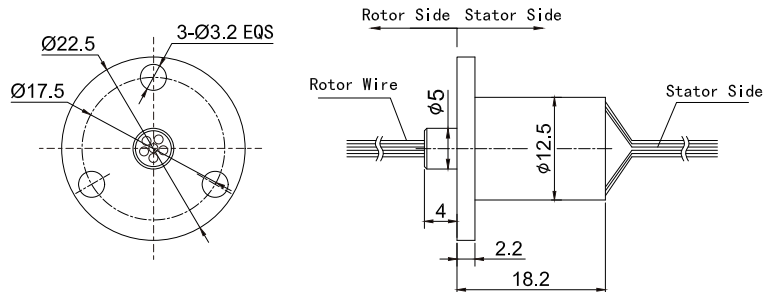
MMC182-FL03



MMC182-FL04



MMC182-FL05



### Specification

Electrical Data		
Parameter	Value	
	Power	Signal
Rated Voltage	0~240VAC/VDC	0~240VAC/VDC
Insulation Resistance	≥100MΩ/500VDC	≥100MΩ/500VDC
Lead Wires	AWG#28 teflon	AWG#28 teflon
Lead Length	Standard 300mm(adjustable)	
Electrical Noise	<0.01Ω	
Mechanical Data		
Parameter	Value	
Working Life	See Product Quality Level Table	
Rotating Speed	See Product Quality Level Table	
Working Temperature	-30°C~80°C	
Operating Humidity	0~85% RH	
Contact Material	See Product Quality Level Table	
Housing Material	See Product Quality Level Table	
Torque	0.005N.m; +0.02N.m/6rings	
Protection Grade	IP51	

### Product Quality Level Table

Part#	Max Speed	Working Life	Electrical Noise①@10RPM
MMC182	250RPM	> 10 million	10mΩ
MMC1829	1000RPM	>30 million	4mΩ

### Lead Wires Color Code

Ring	1	2	3	4	5	6
Color	BLK	RED	YEL	GRN	BLU	WHT

### Options for custom slip ring

- MMC1829 is the high-end version corresponding to MMC182.
- Optional flange mounting.
- Specified connectors and Heat-shrink tube.
- Longer lead lengths available.
- High temperature is optional.
- Military Grade.