

MP Series Pancake Slip Ring

Pancake slip ring is designed for a limited height situation, which do not have any limitation in OD. This series slip ring has features of minimum height/thickness, large OD. It looks like a plate, therefore it's also called plate slip ring. Using precious metal contacts, it is stable, low torque, low loss, free maintenance, low noise and long life.



Features:

- 1 Minimum thickness can be 5.8mm
- 2 Pancake slip ring using vacuum assistant resin infusion process
- 3 Using precious metal contacts, it is stable and has high performance.

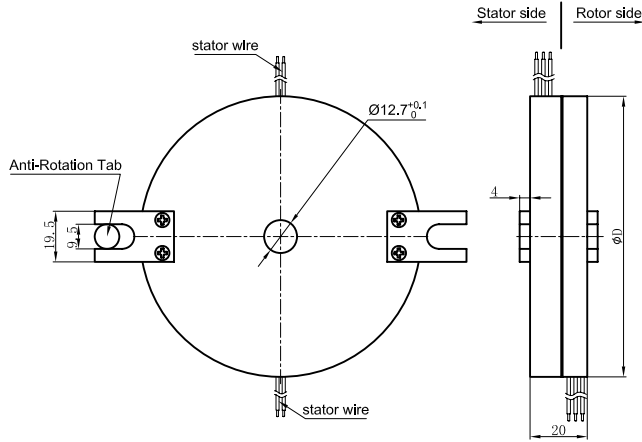
MP Series Models

Model#	ID (mm)	Thickness/L (mm)	Rings (circuits)
MP210	12.7	20	2~24
MP310	12.7	15.8mm~27mm	2~18
MP220	25.4	22	2~24
MP320	25.4	17.1mm~30.7mm	2~18
MP240	40	30	2~24
MP340	40	17.1mm~30.7mm	2~18
MP250	50	30	2~24
MP350	50	17.1mm~30.7mm	2~18
MP270	70	30	2~24
MP370	70	17.5mm~29.5mm	2~18
MP380	80	18.2mm~31mm	2~18

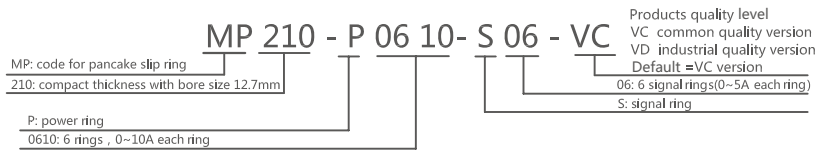
MP210 Series Pancake Slip Ring

MP210 pancake slip ring has a thickness of 20mm, through bore size is 12.7mm, all aluminum alloy structure, using precious metal contact material and gold-plated processing. It can transmit stable signal and power with small resistance fluctuations.

Designed for min thickness requirements, when thickness is limitative but diameter is no limitative.



Explanation



Part# list

MP210 Series Pancake Slip Ring				
Parts#	Signal (5A)	10A	20A	ΦD (mm)
MP210-S02	2	0	0	76
MP210-P0210	0	2	0	76
MP210-P0210-S02	2	2	0	92
MP210-P0410	0	4	0	92
MP210-S06	6	0	0	108
MP210-P0610	0	6	0	108
MP210-P0620	0	0	6	108
MP210-P0210-S04	4	2	0	108
MP210-S12	12	0	0	156
MP210-P1210	0	12	0	156
MP210-P1220	0	0	12	156
MP210-P0610-S06	6	6	0	156
MP210-P0620-S06	6	0	6	156
MP210-S18	18	0	0	204
MP210-P1810	0	18	0	204
MP210-P0610-S12	12	6	0	204
MP210-P1210-S06	6	12	0	204
MP210-P0810-S10	10	8	0	204
MP210-S24	24	0	0	252
MP210-P2410	0	24	0	252
MP210-P0610-S18	18	6	0	252
MP210-P1210-S12	12	12	0	252

Note:1) N channels 10A rings parallel can be used as 1 channel N*10A current. For example: 2 rings 10A parallel could be used as 1 wires 20A
 2) Through bore size, total circuits and current can be customized, please contact sales for more details.

Specifications

Electrical Data		
Parameter	Value	
	Power	Signal
Rated Voltage	0~440VAC/VDC	0~240VAC/VDC
Insulation Resistance	≥1000MΩ/500VDC	≥1000MΩ/500VDC
Lead Wire	AWG16#Teflon	AWG22#Teflon
Lead Length	Standard 300mm (adjustable)	
Dielectric Strength	500VAC@50Hz , 60s	
Electrical Noise	<0.01Ω	
Mechanical Data		
Parameter	Value	
Working Life	See product quality level table	
Rotating Speed	See product quality level table	
Working Temperature	-30°C~80°C	
Operating Humidity	0~85% RH	
Contact Material	See product quality level table	
Housing Material	aluminium alloy	
Torque	0.1N.m ; +0.03N.m/6rings	
Protection Grade	IP51	

Product Quality Level Table

Products Level Code	Max Rotating Speed	Working Life	Contact Material
VC	60RPM	3 million revs	Precious Metal
VD	200RPM	10 million revs	Gold-plated

Lead Wires Color Code

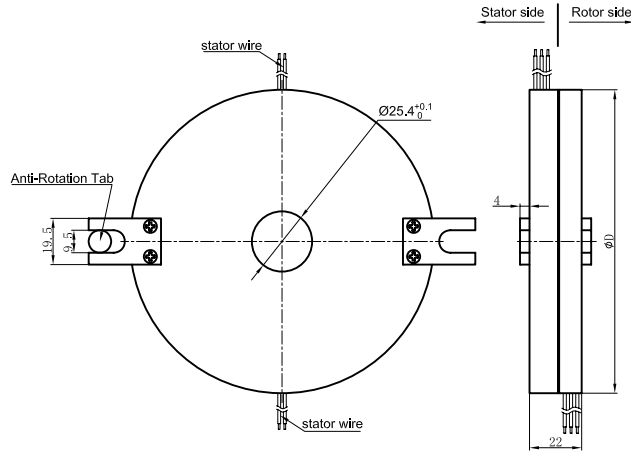
Ring	1	2	3	4	5	6	7	8	9	10	11	12
Color	BLK	RED	YEL	GRN	BLU	WHT	BLK	RED	YEL	GRN	BLU	WHT

Note : 6 wires for 1 group color, from 7-12, repeat the same color as 1...6, indicated with number code pipe.

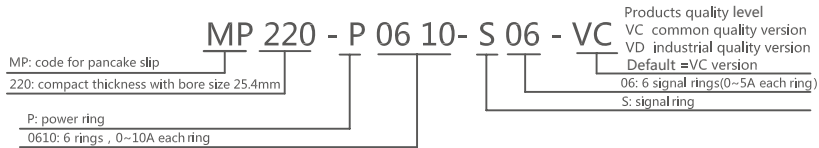
MP220 Series Pancake Slip Ring

MP220 pancake slip ring has a thickness of 22mm, through bore size is 25.4mm, all aluminum alloy structure, using precious metal contact material and gold-plated processing. It can transmit stable signal and power with small resistance fluctuations.

Designed for min thickness requirements, when thickness is limitative but diameter is no limitative.



Explanation



Part# list

MP220 Series Pancake Slip Ring				
Parts#	Signal (5A)	10A	20A	ΦD (mm)
MP220-S02	2	0	0	92
MP220-P0210	0	2	0	92
MP220-P0210-S02	2	2	0	108
MP220-P0410	0	4	0	108
MP220-S06	6	0	0	124
MP220-P0610	0	6	0	124
MP220-P0620	0	0	6	124
MP220-P0210-S04	4	2	0	124
MP220-S12	12	0	0	172
MP220-P1210	0	12	0	172
MP220-P1220	0	0	12	172
MP220-P0610-S06	6	6	0	172
MP220-P0620-S06	6	0	6	172
MP220-S18	18	0	0	216
MP220-P1810	0	18	0	216
MP220-P0610-S12	12	6	0	216
MP220-P1210-S06	6	12	0	216
MP220-P0810-S10	10	8	0	216
MP220-S24	24	0	0	268
MP220-P2410	0	24	0	268
MP220-P0610-S18	18	6	0	268
MP220-P1210-S12	12	12	0	268
MP220-S36	36	0	0	364
MP220-S48	48	0	0	460

Note:1) N channels 10A rings parallel can be used as 1 channel N*10A current. For example: 2 rings 10A parallel could be used as 1 wires 20A
 2) Through bore size, total circuits and current can be customized, please contact sales for more details.

Specifications

Electrical Data		
Parameter	Value	
	Power	Signal
Rated Voltage	0~440VAC/VDC	0~240VAC/VDC
Insulation Resistance	$\geq 1000M\Omega/500VDC$	$\geq 1000M\Omega/500VDC$
Lead Wire	AWG16#Teflon	AWG22#Teflon
Lead Length	Standard 300mm (adjustable)	
Dielectric Strength	500VAC@50Hz , 60s	
Electrical Noise	<0.01 Ω	
Mechanical Data		
Parameter	Value	
Working Life	See product quality level table	
Rotating Speed	See product quality level table	
Working Temperature	-30°C~80°C	
Operating Humidity	0~85% RH	
Contact Material	See product quality level table	
Housing Material	aluminium alloy	
Torque	0.05N.m ; +0.03N.m/6rings	
Protection Grade	IP51	

Product Quality Level Table

Products Level Code	Max Rotating Speed	Working Life	Contact Material
VC	60RPM	3 million revs	Precious Metal
VD	200RPM	10 million revs	Gold-plated

Lead Wires Color Code

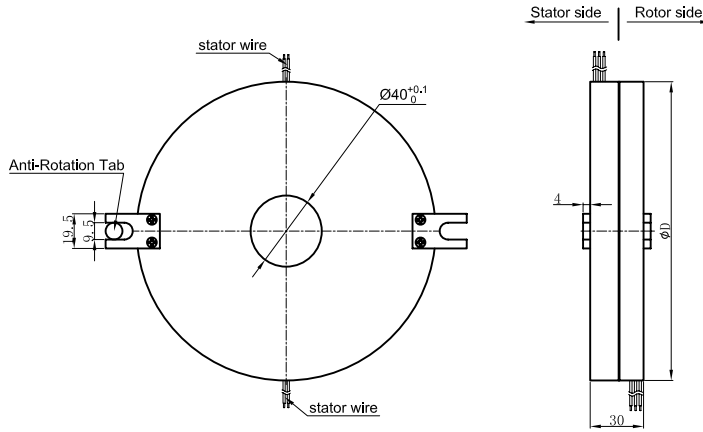
Ring	1	2	3	4	5	6	7	8	9	10	11	12
Color	BLK	RED	YEL	GRN	BLU	WHT	BLK	RED	YEL	GRN	BLU	WHT

Note : 6 wires for 1 group color, from 7-12, repeat the same color as 1...6, indicated with number code pipe.

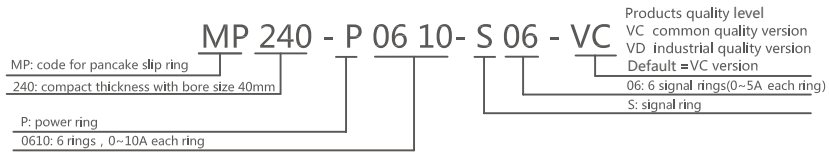
MP240 Series Pancake Slip Ring

MP220 pancake slip ring has a thickness of 30mm, through bore size is 40mm, all aluminum alloy structure, using precious metal contact material and gold-plated processing. It can transmit stable signal and power with small resistance fluctuations.

Designed for min thickness requirements, when thickness is limitative but diameter is no limitative.



Explanation



Part# list

MP240 series pancake slip ring				
Parts#	Signal (5A)	10A	20A	ΦD (mm)
MP240-S02	2	0	0	120
MP240-P0210	0	2	0	120
MP240-P0210-S02	2	2	0	136
MP240-P0410	0	4	0	136
MP240-S06	6	0	0	152
MP240-P0610	0	6	0	152
MP240-P0620	0	0	6	152
MP240-P0210-S04	4	2	0	152
MP240-S12	12	0	0	200
MP240-P1210	0	12	0	200
MP240-P1220	0	0	12	200
MP240-P0610-S06	6	6	0	200
MP240-P0620-S06	6	0	6	200
MP240-S18	18	0	0	248
MP240-P1810	0	18	0	248
MP240-P0610-S12	12	6	0	248
MP240-P1210-S06	6	12	0	248
MP240-P0810-S10	10	8	0	248
MP240-S24	24	0	0	296

Note:1) N channels 10A rings parallel can be used as 1 channel N*10A current. For example: 2 rings 10A parallel could be used as 1 wires 20A
 2) Through bore size, total circuits and current can be customized, please contact sales for more details.

Specifications

Electrical Data	
Parameter	Value
	Power
Rated Voltage	0~440VAC/VDC
Insulation Resistance	≥1000MΩ/500VDC
Lead Wire	AWG16#Teflon
Lead Length	Standard 300mm (adjustable)
Dielectric Strength	500VAC@50Hz , 60s
Electrical Noise	<0.01Ω
	Signal
	0~240VAC/VDC
	≥1000MΩ/500VDC
	AWG22#Teflon

Mechanical Data	
Parameter	Value
Working Life	See product quality level table
Rotating Speed	See product quality level table
Working Temperature	-30°C~80°C
Operating Humidity	0~85% RH
Contact Material	See product quality level table
Housing Material	aluminium alloy
Torque	0.05N.m ; +0.03N.m/6rings
Protection Grade	IP51

Product Quality Level Table

Products Level Code	Max Rotating Speed	Working Life	Contact Material
VC	60RPM	3 million revs	Precious Metal
VD	200RPM	10 million revs	Gold-plated

Lead Wires Color Code

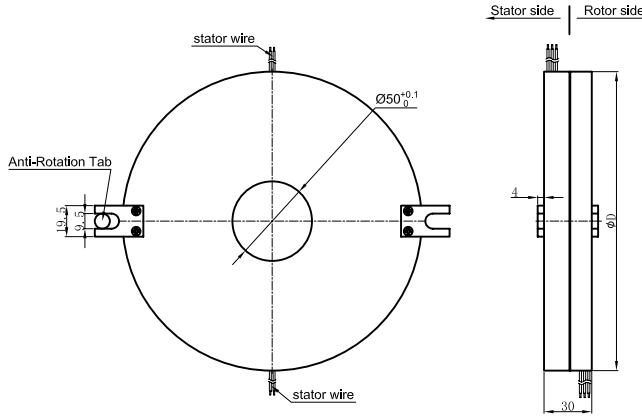
Ring	1	2	3	4	5	6	7	8	9	10	11	12
Color	BLK	RED	YEL	GRN	BLU	WHT	BLK	RED	YEL	GRN	BLU	WHT

Note : 6 wires for 1 group color, from 7-12, repeat the same color as 1...6, indicated with number code pipe.

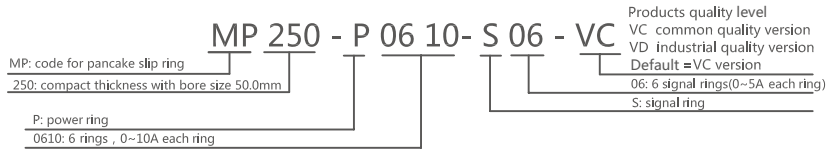
MP250 Series Pancake Slip Ring

MP250 pancake slip ring has a thickness of 30mm, through bore size is 50mm, all aluminum alloy structure, using precious metal contact material and gold-plated processing. It can transmit stable signal and power with small resistance fluctuations.

Designed for min thickness requirements, when thickness is limitative but diameter is no limitative.



Explanation



Part# list

Parts#	MP250 series pancake slip ring			ΦD (mm)
	Signal (5A)	10A	20A	
MP250-S02	2	0	0	140
MP250-P0210	0	2	0	140
MP250-P0210-S02	2	2	0	156
MP250-P0410	0	4	0	156
MP250-S06	6	0	0	172
MP250-P0610	0	6	6	172
MP250-P0620	0	0	0	172
MP250-P0210-S04	4	2	0	172
MP250-S12	12	0	0	220
MP250-P1210	0	12	12	220
MP250-P1220	0	0	0	220
MP250-P0610-S06	6	6	6	220
MP250-P0620-S06	6	0	0	220
MP250-S18	18	0	0	268
MP250-P1810	0	18	0	268
MP250-P0610-S12	12	6	0	268
MP250-P1210-S06	6	12	0	268
MP250-P0810-S10	10	8	0	268
MP250-S24	24	0	0	316
MP250-P2410	0	24	0	316
MP250-P0610-S18	18	6	0	316
MP250-P1210-S12	12	12	0	316
MP250-S36	36	0	0	412
MP250-S48	48	0	0	508

Note:1) N channels 10A rings parallel can be used as 1 channel N*10A current. For example: 2 rings 10A parallel could be used as 1 wires 20A
 2) Through bore size, total circuits and current can be customized, please contact sales for more details.

Specifications

Electrical Data	
Parameter	Value
	Power
Rated Voltage	0~440VAC/VDC
Insulation Resistance	≥1000MΩ/500VDC
Lead Wire	AWG16#Teflon
Lead Length	Standard 300mm (adjustable)
Dielectric Strength	500VAC@50Hz , 60s
Electrical Noise	<0.01Ω
	Signal
	0~240VAC/VDC
	≥1000MΩ/500VDC
	AWG22#Teflon

Mechanical Data	
Parameter	Value
Working Life	See product quality level table
Rotating Speed	See product quality level table
Working Temperature	-30°C~80°C
Operating Humidity	0~85% RH
Contact Material	See product quality level table
Housing Material	aluminium alloy
Torque	0.05N.m ; +0.03N.m/6rings
Protection Grade	IP51

Product Quality Level Table

Products Level Code	Max Rotating Speed	Working Life	Contact Material
VC	60RPM	3 million revs	Precious Metal
VD	200RPM	10 million revs	Gold-plated

Lead Wires Color Code

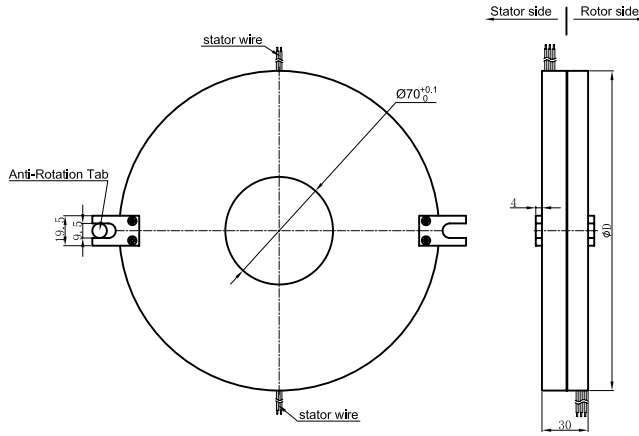
Ring	1	2	3	4	5	6	7	8	9	10	11	12
Color	BLK	RED	YEL	GRN	BLU	WHT	BLK	RED	YEL	GRN	BLU	WHT

Note : 6 wires for 1 group color, from 7-12, repeat the same color as 1...6, indicated with number code pipe.

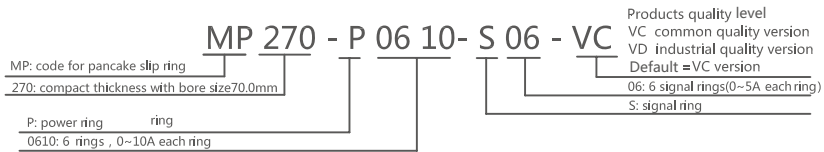
MP270 Series Pancake Slip Ring

MP270 pancake slip ring has a thickness of 30mm, through bore size is 70mm, all aluminum alloy structure, using precious metal contact material and gold-plated processing. It can transmit stable signal and power with small resistance fluctuations.

Designed for min thickness requirements, when thickness is limitative but diameter is no limitative.



Explanation



Part# list

MP270 series pancake slip ring				
Parts#	Signal (5A)	10A	20A	ΦD (mm)
MP270-S02	2	0	0	152
MP270-P0210	0	2	0	152
MP270-P0210-S02	2	2	0	168
MP270-P0410	0	4	0	168
MP270-S06	6	0	0	184
MP270-P0610	0	6	0	184
MP270-P0620	0	0	6	184
MP270-P0210-S04	4	2	0	184
MP270-S12	12	0	0	232
MP270-P1210	0	12	0	232
MP270-P1220	0	0	12	232
MP270-P0610-S06	6	6	0	232
MP270-P0620-S06	6	0	6	232
MP270-S18	18	0	0	280
MP270-P1810	0	18	0	280
MP270-P0610-S12	12	6	0	280
MP270-P1210-S06	6	12	0	280
MP270-P0810-S10	10	8	0	280
MP270-S24	24	0	0	328
MP270-P2410	0	24	0	328
MP270-P0610-S18	18	6	0	328
MP270-P1210-S12	12	12	0	328
MP270-S36	36	0	0	424
MP270-S48	48	0	0	520

Note:1) N channels 10A rings parallel can be used as 1 channel N*10A current. For example: 2 rings 10A parallel could be used as 1 wires 20A
 2) Through bore size, total circuits and current can be customized, please contact sales for more details.

Specifications

Electrical Data		
Parameter	Value	
	Power	Signal
Rated Voltage	0~440VAC/VDC	0~240VAC/VDC
Insulation Resistance	$\geq 1000M\Omega/500VDC$	$\geq 1000M\Omega/500VDC$
Lead Wire	AWG16#Teflon	AWG22#Teflon
Lead Length	Standard 300mm (adjustable)	
Dielectric Strength	500VAC@50Hz , 60s	
Electrical Noise	<0.01 Ω	
Mechanical Data		
Parameter	Value	
Working Life	See product quality level table	
Rotating Speed	See product quality level table	
Working Temperature	-30°C~80°C	
Operating Humidity	0~85% RH	
Contact Material	See product quality level table	
Housing Material	aluminium alloy	
Torque	0.05N.m ; +0.03N.m/6rings	
Protection Grade	IP51	

Product Quality Level Table

Products Level Code	Max Rotating Speed	Working Life	Contact Material
VC	60RPM	3 million revs	Precious Metal
VD	200RPM	10 million revs	Gold-plated

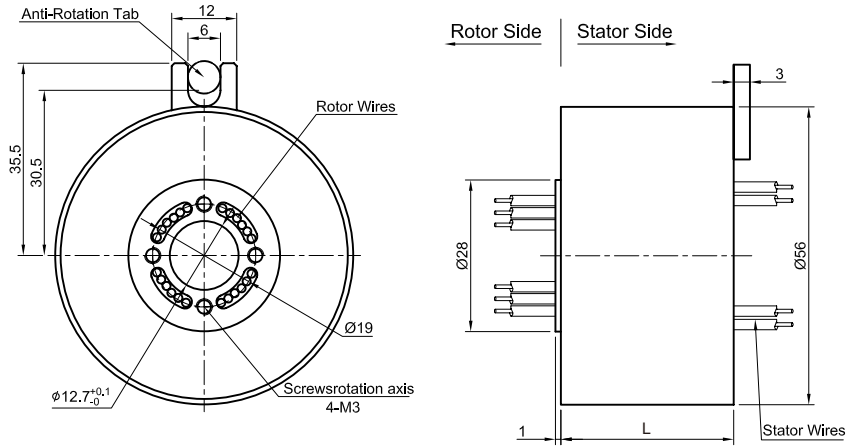
Lead Wires Color Code

Ring	1	2	3	4	5	6	7	8	9	10	11	12
Color	BLK	RED	YEL	GRN	BLU	WHT	BLK	RED	YEL	GRN	BLU	WHT

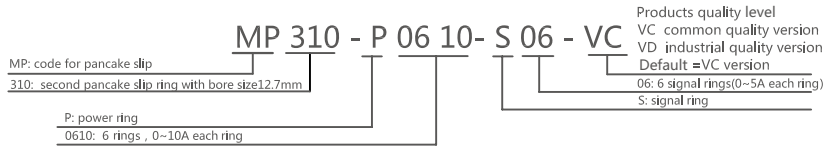
Note : 6 wires for 1 group color, from 7-12, repeat the same color as 1...6, indicated with number code pipe.

MP310 Series Pancake Slip Ring

MP310 second pancake slip ring, through bore size is 12.7mm, all aluminum alloy structure, using precious metal contact material and gold-plated processing. It can transmit stable signal and power with small resistance fluctuations. It's mainly applied to those applications with transverse space limit but with no height space limit.



Explanation



Part# list

MP310 series pancake slip ring				
Parts#	Signal (5A)	10A	20A	Length(mm)
MP310-S02	2	0	0	15.8
MP310-P0210	0	2	0	15.8
MP310-P0210-S02	2	2	0	21.4
MP310-P0410	0	4	0	21.4
MP310-S06	6	0	0	27
MP310-P0610	0	6	6	27
MP310-P0620	0	0	0	27
MP310-P0210-S04	4	2	0	27
MP310-S12	12	0	0	43.8
MP310-P1210	0	12	12	43.8
MP310-P1220	0	0	0	43.8
MP310-P0610-S06	6	6	6	43.8
MP310-P0620-S06	6	0	0	43.8
MP310-S18	18	0	0	60.6
MP310-P1810	0	18	0	60.6
MP310-P0610-S12	12	6	0	60.6
MP310-P1210-S06	6	12	0	60.6
MP310-P0810-S10	10	8	0	60.6
MP310-S24	24	0	0	77.4
MP310-P2410	0	24	0	77.4
MP310-P0610-S18	18	6	0	77.4
MP310-P1210-S12	12	12	0	77.4

Note: 1) N channels 10A rings parallel can be used as 1 channel N*10A current. For example: 2 rings 10A parallel could be used as 1 wires 20A
 2) Through bore size, total circuits and current can be customized, please contact sales for more details.

Specifications

Electrical Data		
Parameter	Value	
	Power	Signal
Rated Voltage	0~440VAC/VDC	0~240VAC/VDC
Insulation Resistance	≥1000MΩ/500VDC	≥1000MΩ/500VDC
Lead Wire	AWG16#Teflon	AWG22#Teflon
Lead Length	Standard 300mm (adjustable)	
Dielectric Strength	500VAC@50Hz , 60s	
Electrical Noise	<0.01Ω	
Mechanical Data		
Parameter	Value	
Working Life	See product quality level table	
Rotating Speed	See product quality level table	
Working Temperature	-30°C~80°C	
Operating Humidity	0~85% RH	
Contact Material	See product quality level table	
Housing Material	aluminium alloy	
Torque	0.05N.m ; +0.03N.m/6rings	
Protection Grade	IP51	

Product Quality Level Table

Products Level Code	Max Rotating Speed	Working Life	Contact Material
VC	60RPM	3 million revs	Precious Metal
VD	200RPM	10 million revs	Gold-plated

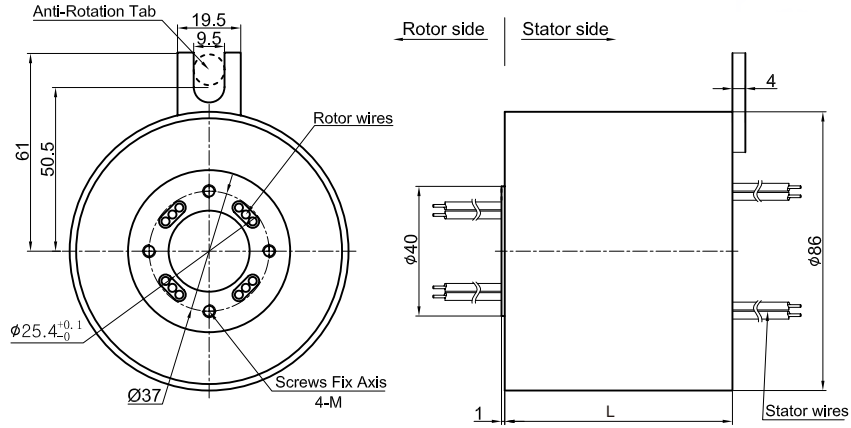
Lead Wires Color Code

Ring	1	2	3	4	5	6	7	8	9	10	11	12
Color	BLK	RED	YEL	GRN	BLU	WHT	BLK	RED	YEL	GRN	BLU	WHT

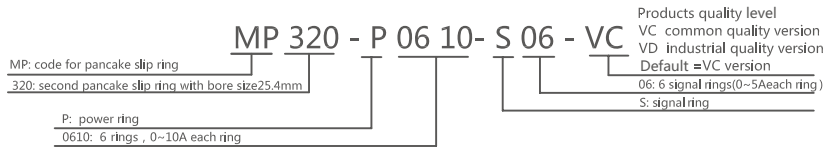
Note : 6 wires for 1 group color, from 7-12, repeat the same color as 1...6, indicated with number code pipe.

MP320 Series Pancake Slip Ring

MP320 second pancake slip ring, through bore size is 25.4mm, all aluminum alloy structure, using precious metal contact material and gold-plated processing. It can transmit stable signal and power with small resistance fluctuations. It's mainly applied to those applications with transverse space limit but with no height space limit.



Explanation



Part# list

MP320 series pancake slip ring				
Parts#	Signal (5A)	10A	20A	Length(mm)
MP320-S02	2	0	0	17.1
MP320-P0210	0	2	0	17.1
MP320-P0210-S02	2	2	0	23.9
MP320-P0410	0	4	0	23.9
MP320-S06	6	0	0	30.7
MP320-P0610	0	6	0	30.7
MP320-P0620	0	0	6	30.7
MP320-P0210-S04	4	2	0	30.7
MP320-S12	12	0	0	51.1
MP320-P1210	0	12	0	51.1
MP320-P1220	0	0	12	51.1
MP320-P0610-S06	6	6	0	51.1
MP320-P0620-S06	6	0	6	51.1
MP320-S18	18	0	0	71.5
MP320-P1810	0	18	0	71.5
MP320-P0610-S12	12	6	0	71.5
MP320-P1210-S06	6	12	0	71.5
MP320-P0810-S10	10	8	0	71.5
MP320-S24	24	0	0	91.9
MP320-P2410	0	24	0	91.9
MP320-P0610-S18	18	6	0	91.9
MP320-P1210-S12	12	12	0	91.9

Note:1) N channels 10A rings parallel can be used as 1 channel N*10A current. For example: 2 rings 10A parallel could be used as 1 wires 20A
2) Through bore size, total circuits and current can be customized, please contact sales for more details.

Specifications

Electrical Data		
Parameter	Value	
	Power	Signal
Rated Voltage	0~440VAC/VDC	0~240VAC/VDC
Insulation Resistance	≥1000MΩ/500VDC	≥1000MΩ/500VDC
Lead Wire	AWG16#Teflon	AWG22#Teflon
Lead Length	Standard 300mm (adjustable)	
Dielectric Strength	500VAC@50Hz , 60s	
Electrical Noise	<0.01Ω	
Mechanical Data		
Parameter	Value	
Working Life	See product quality level table	
Rotating Speed	See product quality level table	
Working Temperature	-30°C~80°C	
Operating Humidity	0~85% RH	
Contact Material	See product quality level table	
Housing Material	aluminium alloy	
Torque	0.05N.m ; +0.03N.m/6rings	
Protection Grade	IP51	

Product Quality Level Table

Products Level Code	Max Rotating Speed	Working Life	Contact Material
VC	60RPM	3 million revs	Precious Metal
VD	200RPM	10 million revs	Gold-plated

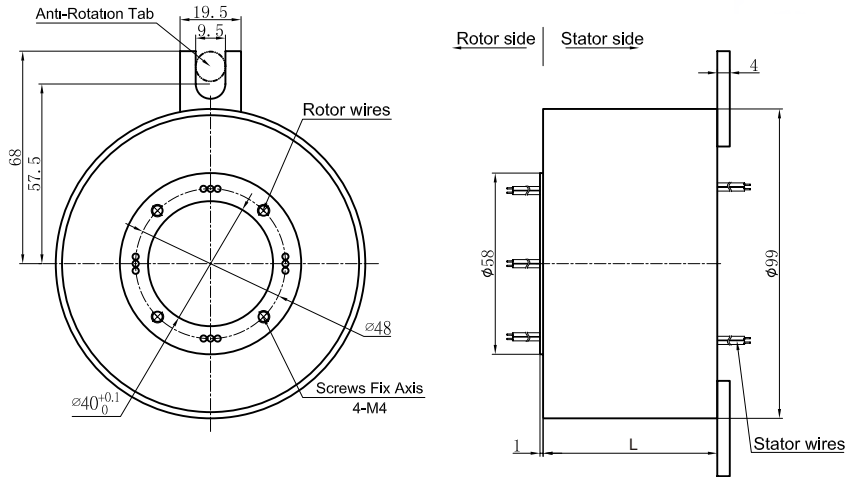
Lead Wires Color Code

Ring	1	2	3	4	5	6	7	8	9	10	11	12
Color	BLK	RED	YEL	GRN	BLU	WHT	BLK	RED	YEL	GRN	BLU	WHT

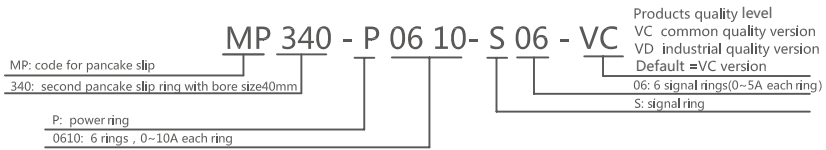
Note : 6 wires for 1 group color, from 7-12, repeat the same color as 1...6, indicated with number code pipe.

MP340 Series Pancake Slip Ring

MP340 second pancake slip ring, through bore size is 40mm, all aluminum alloy structure, using precious metal contact material and gold-plated processing. It can transmit stable signal and power with small resistance fluctuations. It's mainly applied to those applications with transverse space limit but with no height space limit.



Explanation



Part list

MP340 series pancake slip ring				
Parts#	Signal (5A)	10A	20A	Length(mm)
MP340-S02	2	0	0	17.1
MP340-P0210	0	2	0	17.1
MP340-P0210-S02	2	2	0	23.9
MP340-P0410	0	4	0	23.9
MP340-S06	6	0	0	30.7
MP340-P0610	0	6	0	30.7
MP340-P0620	0	0	6	30.7
MP340-P0210-S04	4	2	0	30.7
MP340-S12	12	0	0	51.1
MP340-P1210	0	12	0	51.1
MP340-P1220	0	0	12	51.1
MP340-P0610-S06	6	6	0	51.1
MP340-P0620-S06	6	0	6	51.1
MP340-S18	18	0	0	71.5
MP340-P1810	0	18	0	71.5
MP340-P0610-S12	12	6	0	71.5
MP340-P1210-S06	6	12	0	71.5
MP340-P0810-S10	10	8	0	71.5
MP340-S24	24	0	0	91.9
MP340-P2410	0	24	0	91.9
MP340-P0610-S18	18	6	0	91.9
MP340-P1210-S12	12	12	0	91.9

Note: 1) N channels 10A rings parallel can be used as 1 channel N*10A current. For example: 2 rings 10A parallel could be used as 1 wires 20A
 2) Through bore size, total circuits and current can be customized, please contact sales for more details.

Specifications

Electrical Data		
Parameter	Value	
	Power	Signal
Rated Voltage	0~440VAC/VDC	0~240VAC/VDC
Insulation Resistance	≥1000MΩ/500VDC	≥1000MΩ/500VDC
Lead Wire	AWG16#Teflon	AWG22#Teflon
Lead Length	Standard 300mm (adjustable)	
Dielectric Strength	500VAC@50Hz , 60s	
Electrical Noise	<0.01Ω	
Mechanical Data		
Parameter	Value	
Working Life	See product quality level table	
Rotating Speed	See product quality level table	
Working Temperature	-30°C~80°C	
Operating Humidity	0~85% RH	
Contact Material	See product quality level table	
Housing Materia	aluminium alloy	
Torque	0.05N.m ; +0.03N.m/6rings	
Protection Grade	IP51	

Product Quality Level Table

Products Level Code	Max Rotating Speed	Working Life	Contact Material
VC	60RPM	3 million revs	Precious Metal
VD	200RPM	10 million revs	Gold-plated

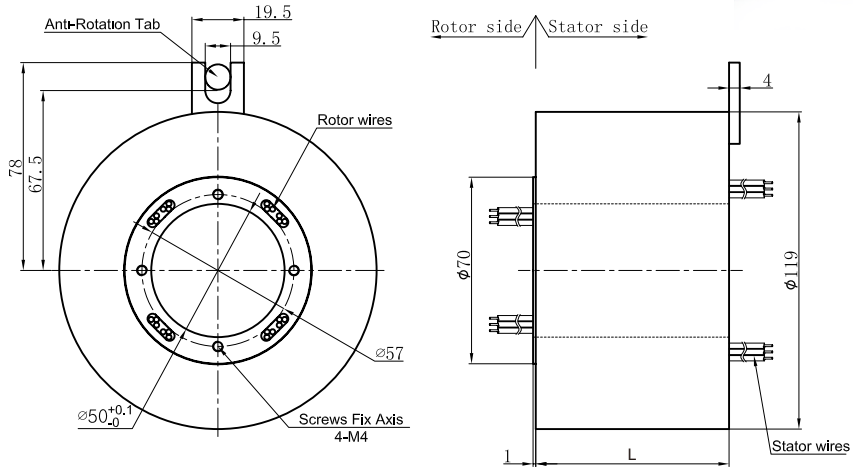
Lead Wires Color Code

Ring	1	2	3	4	5	6	7	8	9	10	11	12
Color	BLK	RED	YEL	GRN	BLU	WHT	BLK	RED	YEL	GRN	BLU	WHT

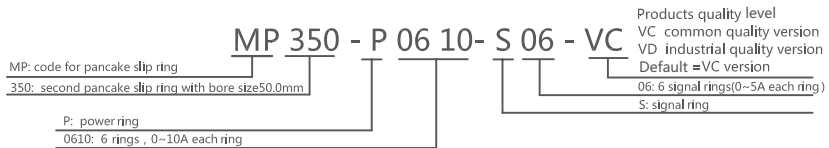
Note : 6 wires for 1 group color, from 7-12, repeat the same color as 1...6, indicated with number code pipe.

MP350 Series Pancake Slip Ring

MP350 second pancake slip ring, through bore size is 50mm, all aluminum alloy structure, using precious metal contact material and gold-plated processing. It can transmit stable signal and power with small resistance fluctuations. It's mainly applied to those applications with transverse space limit but with no height space limit.



Explanation



Part list

MP350 series pancake slip ring				
Parts#	Signal (5A)	10A	20A	Length(mm)
MP350-S02	2	0	0	17.1
MP350-P0210	0	2	0	17.1
MP350-P0210-S02	2	2	0	23.9
MP350-P0410	0	4	0	23.9
MP350-S06	6	0	0	30.7
MP350-P0610	0	6	0	30.7
MP350-P0620	0	0	6	30.7
MP350-P0210-S04	4	2	0	30.7
MP350-S12	12	0	0	51.1
MP350-P1210	0	12	0	51.1
MP350-P1220	0	0	12	51.1
MP350-P0610-S06	6	6	0	51.1
MP350-P0620-S06	6	0	6	51.1
MP350-S18	18	0	0	71.5
MP350-P1810	0	18	0	71.5
MP350-P0610-S12	12	6	0	71.5
MP350-P1210-S06	6	12	0	71.5
MP350-P0810-S10	10	8	0	71.5
MP350-S24	24	0	0	91.9
MP350-P2410	0	24	0	91.9
MP350-P0610-S18	18	6	0	91.9
MP350-P1210-S12	12	12	0	91.9

Note:1) N channels 10A rings parallel can be used as 1 channel N*10A current. For example: 2 rings 10A parallel could be used as 1 wires 20A
 2) Through bore size, total circuits and current can be customized, please contact sales for more details.

Specifications

Electrical Data		
Parameter	Value	
	Power	Signal
Rated Voltage	0~440VAC/VDC	0~240VAC/VDC
Insulation Resistance	≥1000MΩ/500VDC	≥1000MΩ/500VDC
Lead Wire	AWG16#Teflon	AWG22#Teflon
Lead Length	Standard 300mm (adjustable)	
Dielectric Strength	500VAC@50Hz , 60s	
Electrical Noise	<0.01Ω	
Mechanical Data		
Parameter	Value	
Working Life	See product quality level table	
Rotating Speed	See product quality level table	
Working Temperature	-30°C~80°C	
Operating Humidity	0~85% RH	
Contact Material	See product quality level table	
Housing Material	aluminium alloy	
Torque	0.1N.m ; +0.03N.m/6rings	
Protection Grade	IP51	

Product Quality Level Table

Products Level Code	Max Rotating Speed	Working Life	Contact Material
VC	60RPM	3 million revs	Precious Metal
VD	200RPM	10 million revs	Gold-plated

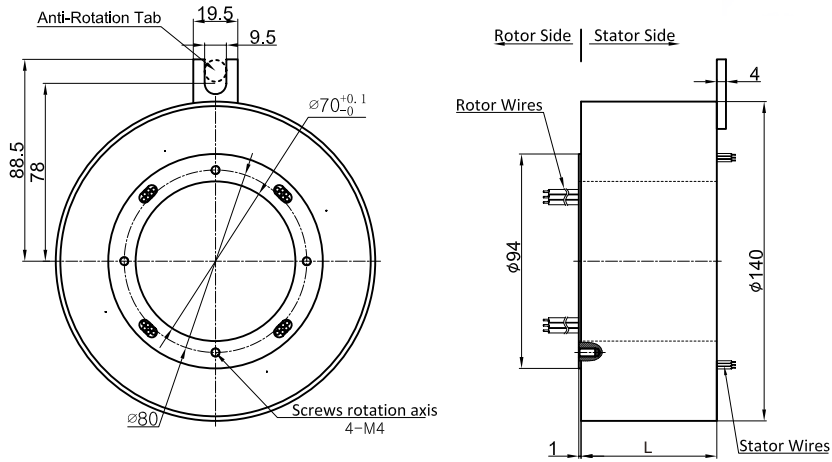
Lead Wires Color Code

Ring	1	2	3	4	5	6	7	8	9	10	11	12
Color	BLK	RED	YEL	GRN	BLU	WHT	BLK	RED	YEL	GRN	BLU	WHT

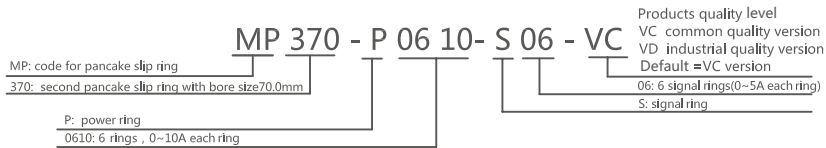
Note : 6 wires for 1 group color, from 7-12, repeat the same color as 1...6, indicated with number code pipe.

MP370 series pancake slip ring

MP370 second pancake slip ring, through bore size is 70mm, all aluminum alloy structure, using precious metal contact material and gold-plated processing. It can transmit stable signal and power with small resistance fluctuations. It's mainly applied to those applications with transverse space limit but with no height space limit.



Explanation



Part list

MP370 series pancake slip ring				
Parts#	Signal (5A)	10A	20A	Length(mm)
MP370-S02	2	0	0	17.5
MP370-P0210	0	2	0	17.5
MP370-P0210-S02	2	2	0	23.5
MP370-P0410	0	4	0	23.5
MP370-S06	6	0	0	29.5
MP370-P0610	0	6	0	29.5
MP370-P0620	0	0	6	29.5
MP370-P0210-S04	4	2	0	29.5
MP370-S12	12	0	0	47.5
MP370-P1210	0	12	0	47.5
MP370-P1220	0	0	12	47.5
MP370-P0610-S06	6	6	0	47.5
MP370-P0620-S06	6	0	6	47.5
MP370-S18	18	0	0	65.5
MP370-P1810	0	18	0	65.5
MP370-P0610-S12	12	6	0	65.5
MP370-P1210-S06	6	12	0	65.5
MP370-P0810-S10	10	8	0	65.5
MP370-S24	24	0	0	83.5
MP370-P2410	0	24	0	83.5
MP370-P0610-S18	18	6	0	83.5
MP370-P1210-S12	12	12	0	83.5

Note:1) N channels 10A rings parallel can be used as 1 channel N*10A current. For example: 2 rings 10A parallel could be used as 1 wires 20A
 2) Through bore size, total circuits and current can be customized, please contact sales for more details.

Specifications

Electrical Data		
Parameter	Value	
	Power	Signal
Rated Voltage	0~440VAC/VDC	0~240VAC/VDC
Insulation Resistance	≥1000MΩ/500VDC	≥1000MΩ/500VDC
Lead Wire	AWG16#Teflon	AWG22#Teflon
Lead Length	Standard 300mm (adjustable)	
Dielectric Strength	500VAC@50Hz , 60s	
Electrical Noise	<0.01Ω	
Mechanical Data		
Parameter	Value	
Working Life	See product quality level table	
Rotating Speed	See product quality level table	
Working Temperature	-30°C~80°C	
Operating Humidity	0~85% RH	
Contact Material	See product quality level table	
Housing Materia	aluminium alloy	
Torque	0.1N.m ; +0.03N.m/6rings	
Protection Grade	IP51	

Product Quality Level Table

Products Level Code	Max Rotating Speed	Working Life	Contact Material
VC	60RPM	3 million revs	Precious Metal
VD	200RPM	10 million revs	Gold-plated

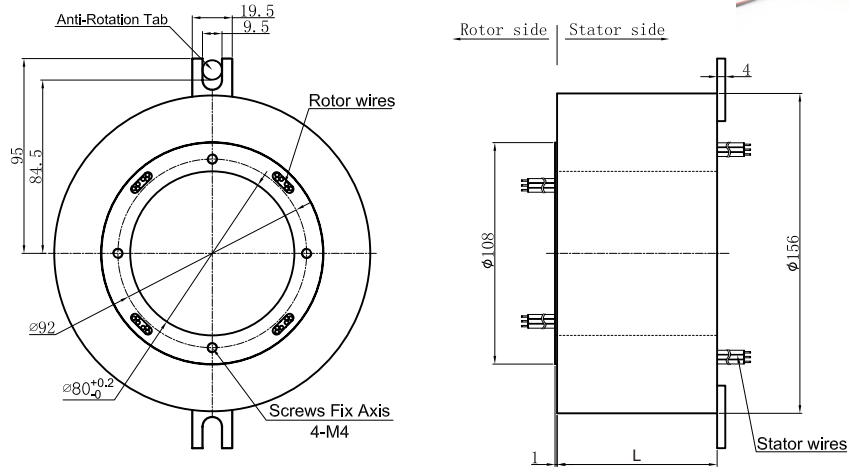
Lead Wires Color Code

Ring	1	2	3	4	5	6	7	8	9	10	11	12
Color	BLK	RED	YEL	GRN	BLU	WHT	BLK	RED	YEL	GRN	BLU	WHT

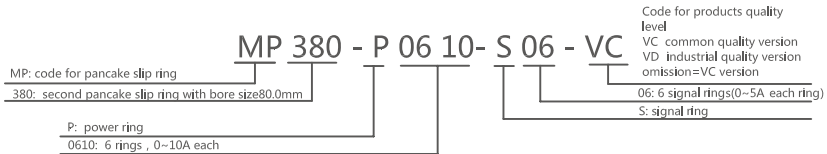
Note : 6 wires for 1 group color, from 7-12, repeat the same color as 1...6, indicated with number code pipe.

MP380 series pancake slip ring

MP380 second pancake slip ring, through bore size is 80mm, all aluminum alloy structure, using precious metal contact material and gold-plated processing. It can transmit stable signal and power with small resistance fluctuations. It's mainly applied to those applications with transverse space limit but with no height space limit.



Explanation



Part list

MP380 series pancake slip ring				
Parts#	Signal (5A)	10A	20A	Length(mm)
MP380-S02	2	0	0	18.2
MP380-P0210	0	2	0	18.2
MP380-P0210-S02	2	2	0	24.6
MP380-P0410	0	4	0	24.6
MP380-S06	6	0	0	31
MP380-P0610	0	6	0	31
MP380-P0620	0	0	6	31
MP380-P0210-S04	4	2	0	31
MP380-S12	12	0	0	50.2
MP380-P1210	0	12	0	50.2
MP380-P1220	0	0	12	50.2
MP380-P0610-S06	6	6	0	50.2
MP380-P0620-S06	6	0	6	50.2
MP380-S18	18	0	0	69.4
MP380-P1810	0	18	0	69.4
MP380-P0610-S12	12	6	0	69.4
MP380-P1210-S06	6	12	0	69.4
MP380-P0810-S10	10	8	0	69.4
MP380-S24	24	0	0	88.6
MP380-P2410	0	24	0	88.6
MP380-P0610-S18	18	6	0	88.6
MP380-P1210-S12	12	12	0	88.6

Note:1) N channels 10A rings parallel can be used as 1 channel N*10A current. For example: 2 rings 10A parallel could be used as 1 wires 20A
 2) Through bore size, total circuits and current can be customized, please contact sales for more details.

Specifications

Electrical Data		
Parameter	Value	
	Power	Signal
Rated Voltage	0~440VAC/VDC	0~240VAC/VDC
Insulation Resistance	≥1000MΩ/500VDC	≥1000MΩ/500VDC
Lead Wire	AWG16#Teflon	AWG22#Teflon
Lead Length	Standard 300mm (adjustable)	
Dielectric Strength	500VAC@50Hz , 60s	
Electrical Noise	<0.01Ω	
Mechanical Data		
Parameter	Value	
Working Life	See product quality level table	
Rotating Speed	See product quality level table	
Working Temperature	-30°C~80°C	
Operating Humidity	0~85% RH	
Contact Material	See product quality level table	
Housing Materia	aluminium alloy	
Torque	0.1N.m ; +0.03N.m/6rings	
Protection Grade	IP51	

Product Quality Level Table

Products Level Code	Max Rotating Speed	Working Life	Contact Material
VC	60RPM	3 million revs	Precious Metal
VD	200RPM	10 million revs	Gold-plated

Lead Wires Color Code

Ring	1	2	3	4	5	6	7	8	9	10	11	12
Color	BLK	RED	YEL	GRN	BLU	WHT	BLK	RED	YEL	GRN	BLU	WHT

Note : 6 wires for 1 group color, from 7-12, repeat the same color as 1...6, indicated with number code pipe.