

MR series(Insertion plug-type,Brushless)

Insertion plug-type slip rings, Conducted by Mercury, Anti-jamming.

Brushless,Longer working life.

< 1mOhm contact resistance

More durable than traditional slip rings

Much higher rotating speed

Much Larger current, Support max up to 1500A for 1wires



MODEL#	OD*LENGTH (MM)	CURRENT	MAX SPEED
MR110	14.3mm*16.8mm (0.56"*0.66")	10A each @ 1 pole	3600RPM
MR110T	14.3mm*16.8mm (0.56"*0.66")	10A each @ 1 pole	3600RPM
MR120	14.3mm*16.8mm (0.56"*0.66")	20A each @ 1 pole	2000RPM
MR1250	31.6mm*27.9mm (1.24"*1.1")	250A each @ 1 pole	1200RPM
MR1650	45mm*29mm (1.77"*1.14")	650A each @ 1 pole	200RPM
MR11500	50mm*29mm (1.97"*1.14")	1500A each @ 1 pole	100RPM
MR204	14.3mm*16.8mm (0.56"*0.66")	4A each @ 2 poles	2000RPM
MR230	25.3mm*27.9mm (1"*1.1")	30A each @ 2 poles	1800RPM
MR304	14.3mm*17mm (0.56"*0.67")	4A each @ 3 poles	1800RPM
MR330	31.6mm*27.9mm (1.24"*1.1")	30A each @ 3 poles	1200RPM
MR404	31.6mm*27.9mm (1.24"*1.1")	4A each @ 4 poles	1000RPM
MR130204	25.3mm*27.9mm (1"*1.1")	30A each @ 1 poles + 4A each @ 2Poles	1800RPM
MR230204	31.6mm*27.9mm (1.24"*1.1")	30A each @ 2 poles + 4A each @ 2Poles	1200RPM
MR430204	39.9mm*29mm (1.57"*1.14")	30A each @ 4 poles + 4A each @ 2Poles	300RPM
MR630204	45mm*29mm (1.77"*1.14")	30A each @ 6 poles + 4A each @ 2Poles	200RPM

MR110 Slip Rings

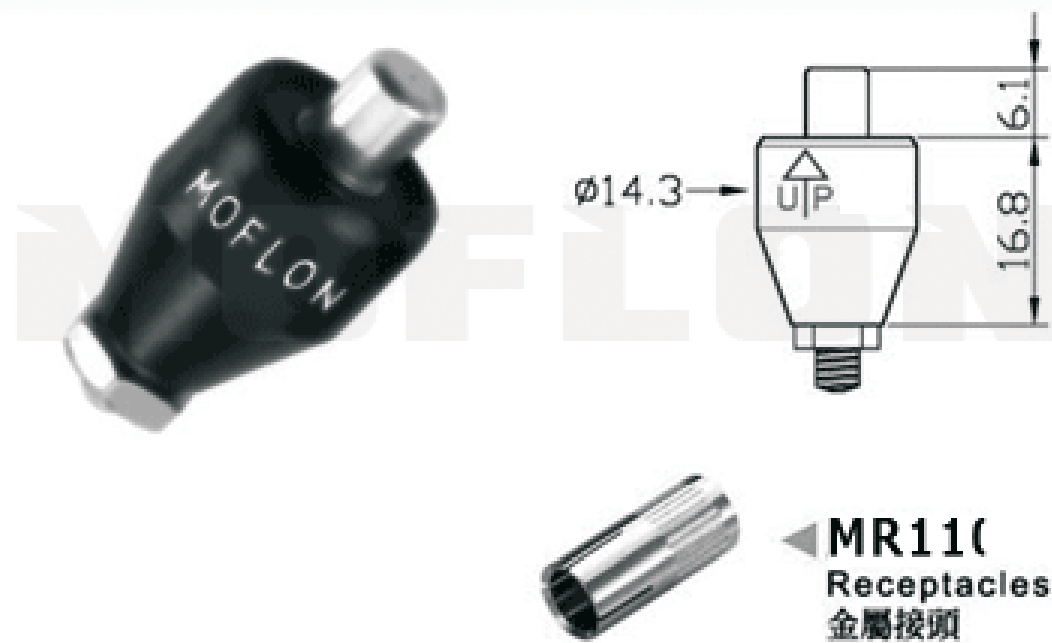
Mr110 slip rings are insertion plug-type slip rings, Conducted by Mercury, are standard, off-the-shelf slip rings, available in stock.

- ▶ Anti-jamming.
- ▶ Longer working life.
- ▶ < 1mOhm contact resistance
- ▶ More durable than traditional slip rings
- ▶ Much higher rotating speed

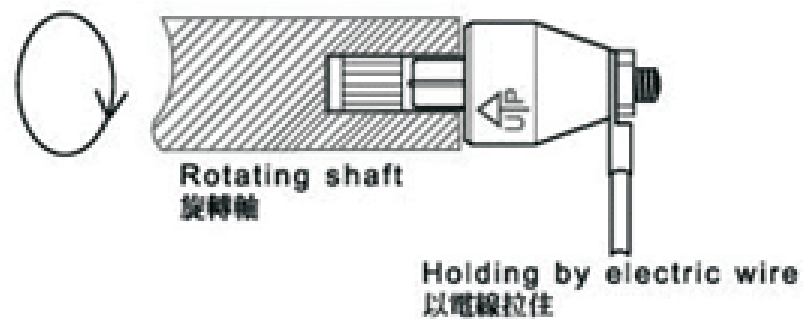
Specifications

PART #	CURRENTA	VOLTAGE (VAC/VDC)	MAX FREQ (MHZ)	MAX SPEED RPM	TORQUE (N.M)	NOISE (MΩ)	TEMP. (°C)
MR110	10A each @ 1pole	-	100Mhz	3600RPM	0.035N.m	<1mΩ	60/-30

Part# MR110 Dimensions and Mounting



● Mounting 安裝



MR110T Slip Rings

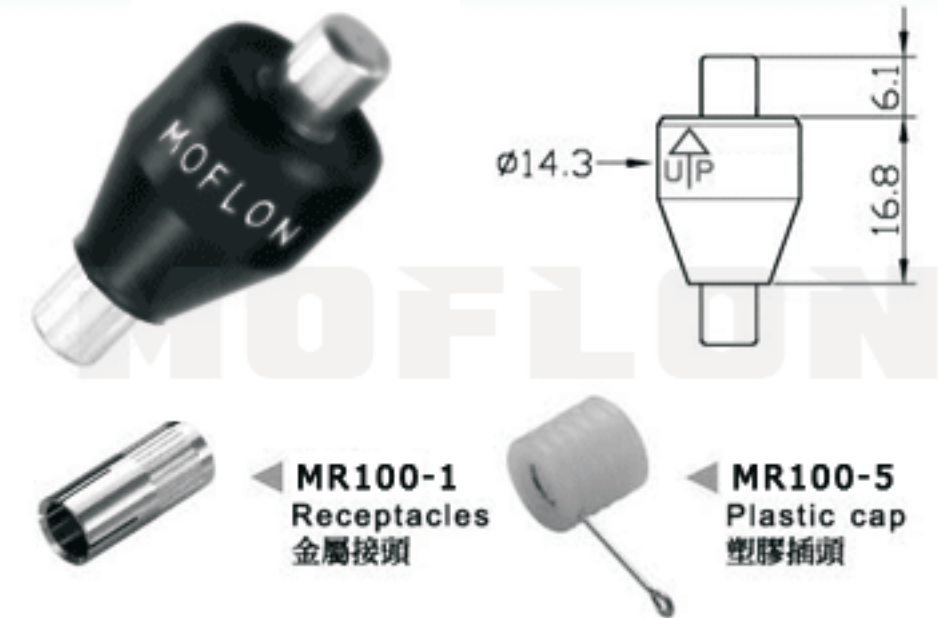
Mr110T slip rings are insertion plug-type slip rings, Conducted by Mercury, are standard, off-the-shelf slip rings, available in stock.

- ▶ Anti-jamming.
- ▶ Longer working life.
- ▶ < 1mOhm contact resistance
- ▶ More durable than traditional slip rings
- ▶ Much higher rotating speed

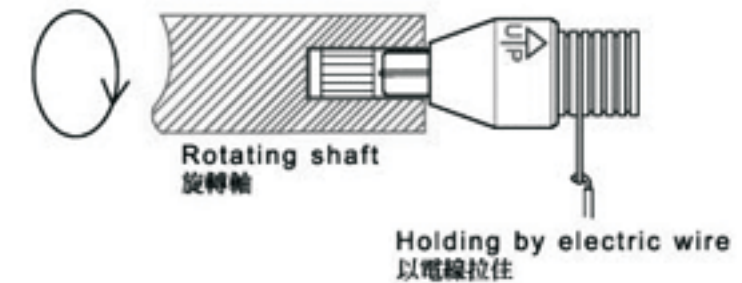
Specifications

PART #	CURRENTA	VOLTAGE (VAC/VDC)	MAX FREQ (MHZ)	MAX SPEED RPM	TORQUE (N.M)	NOISE (MΩ)	TEMP. (°C)
MR110T	10A each @ 1pole	-	100Mhz	3600RPM	0.035N.m	<1mΩ	60/-30

Part# MR110 Dimensions and Mounting



● Mounting 安裝



MR120 Slip Rings

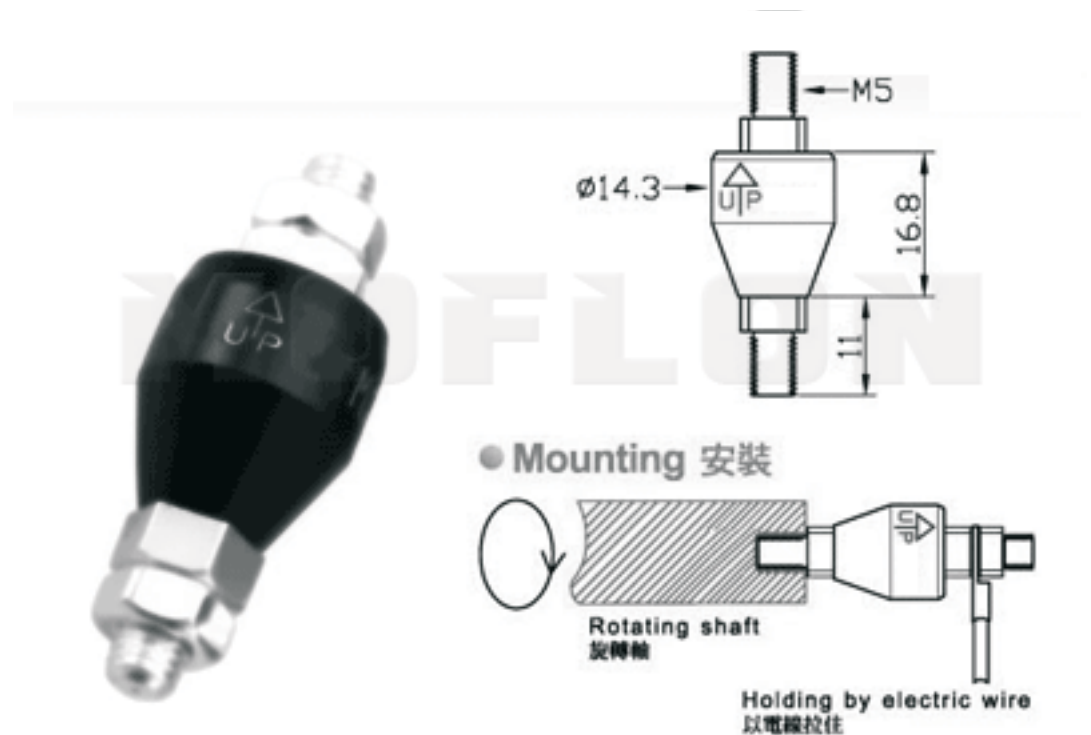
MR120 slip rings are insertion plug-type slip rings, Conducted by Mercury, are standard, off-the-shelf slip rings, available in stock.

- ▶ Anti-jamming.
- ▶ Longer working life.
- ▶ < 1mOhm contact resistance
- ▶ More durable than traditional slip rings
- ▶ Much higher rotating speed

Specifications

PART #	CURRENTA	VOLTAGE (VAC/VDC)	MAX FREQ (MHZ)	MAX SPEED RPM	TORQUE (N.M)	NOISE (MΩ)	TEMP. (°C)
MR120	20A each @ 1pole	-	100Mhz	2000RPM	0.035N.m	<1mΩ	60/-30

Part# MR110 Dimensions and Mounting



MR1250 Slip Rings

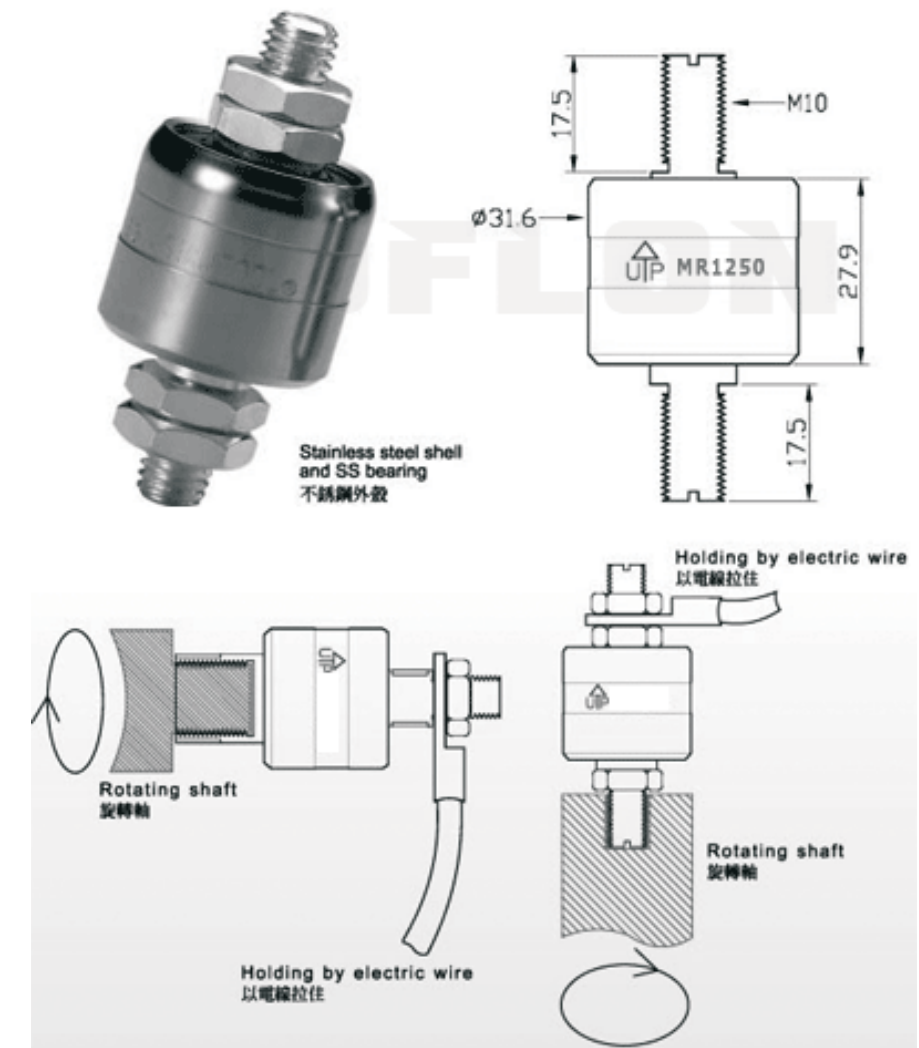
MR1250 slip rings are insertion plug-type slip rings, Conducted by Mercury, are standard, off-the-shelf slip rings, available in stock.

- ▶ Anti-jamming.
- ▶ Longer working life.
- ▶ < 1mOhm contact resistance
- ▶ More durable than traditional slip rings
- ▶ Much higher rotating speed

Specifications

PART #	CURRENTA	VOLTAGE (VAC/VDC)	MAX FREQ (MHZ)	MAX SPEED RPM	TORQUE (N.M)	NOISE (MΩ)	TEMP. (°C)
MR1250	250A each @ 1pole	-	100Mhz	1200RPM	0.25N.m	<1mΩ	60/-30

Part# MR110 Dimensions and Mounting



MR1650 Slip Rings

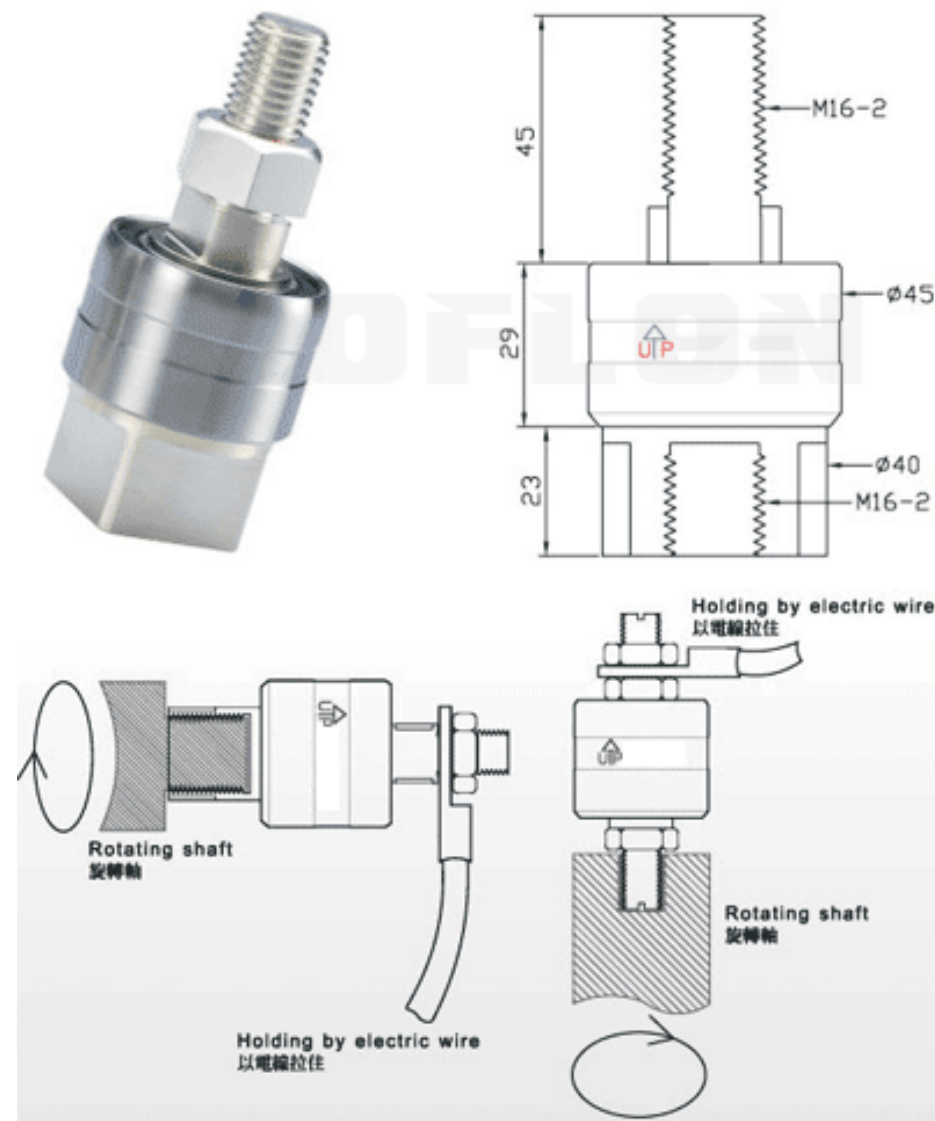
MR1650 slip rings are insertion plug-type slip rings, Conducted by Mercury, are standard, off-the-shelf slip rings, available in stock.

- ▶ Anti-jamming.
- ▶ Longer working life.
- ▶ < 1mOhm contact resistance
- ▶ More durable than traditional slip rings
- ▶ Much higher rotating speed

Specifications

PART #	CURRENTA	VOLTAGE (VAC/VDC)	MAX FREQ (MHZ)	MAX SPEED RPM	TORQUE (N.M)	NOISE (MΩ)	TEMP. (°C)
MR1650	650A each @ 1pole	-	100Mhz	200RPM	1N.m	<1mΩ	60/-30

Part# MR110 Dimensions and Mounting



MR11500 Slip Rings

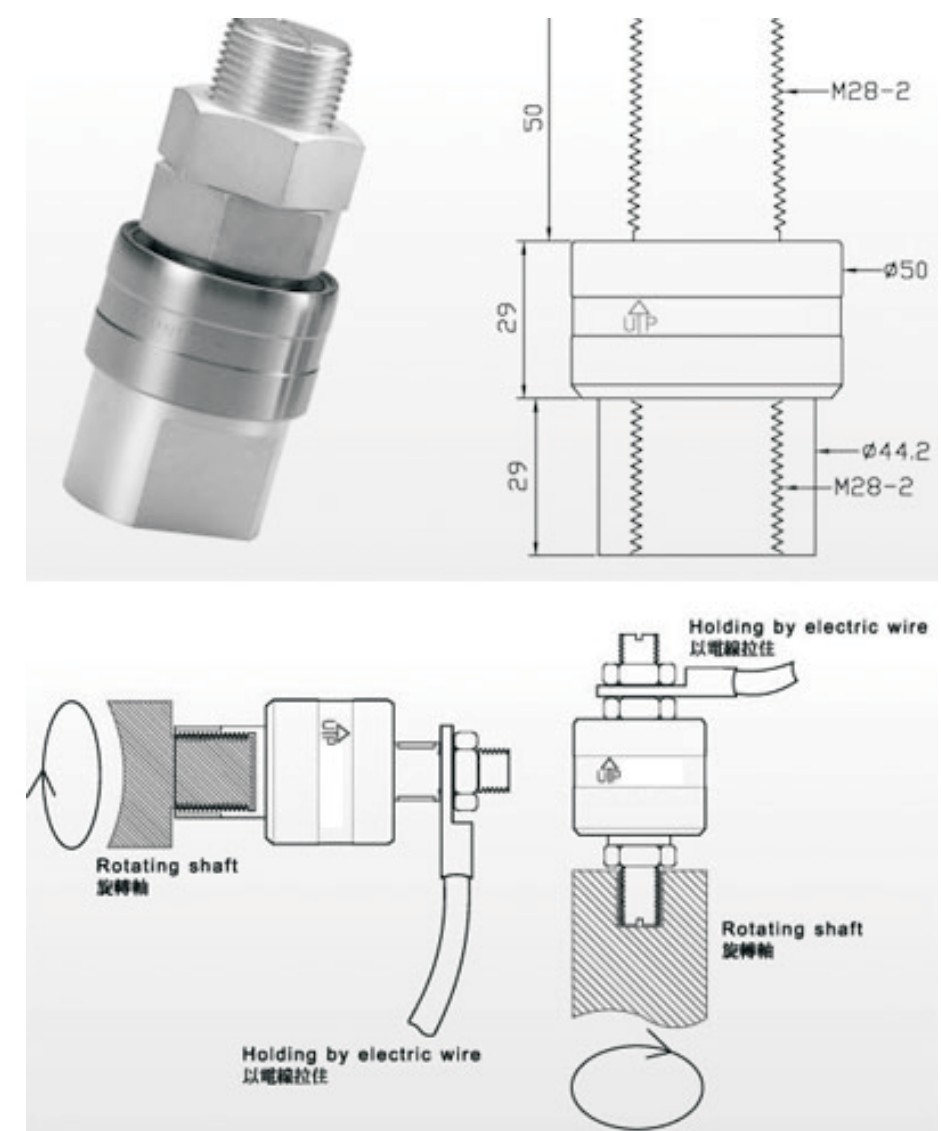
MR11500 slip rings are insertion plug-type slip rings, Conducted by Mercury, are standard, off-the-shelf slip rings, available in stock.

- ▶ Anti-jamming.
- ▶ Longer working life.
- ▶ < 1mOhm contact resistance
- ▶ More durable than traditional slip rings
- ▶ Much higher rotating speed

Specifications

PART #	CURRENTA	VOLTAGE (VAC/VDC)	MAX FREQ (MHZ)	MAX SPEED RPM	TORQUE (N.M)	NOISE (MΩ)	TEMP. (°C)
MR11500	650A each @ 1pole	-	100Mhz	200RPM	1N.m	<1mΩ	60/-30

Part# MR110 Dimensions and Mounting



MR204 Slip Rings

MR204 slip rings are insertion plug-type slip rings, Conducted by Mercury, are standard, off-the-shelf slip rings, available in stock.

- ▶ Anti-jamming.
- ▶ Longer working life.
- ▶ < 1mOhm contact resistance
- ▶ More durable than traditional slip rings
- ▶ Much higher rotating speed

Specifications

PART #	CURRENTA	VOLTAGE (VAC/VDC)	MAX FREQ (MHZ)	MAX SPEED RPM	TORQUE (N.M)	NOISE (MΩ)	TEMP. (°C)
MR204	4A each @ 1pole	-	100Mhz	2000RPM	0.075N.m	<1mΩ	60/-30

Part# MR110 Dimensions and Mounting



MR230 Slip Rings

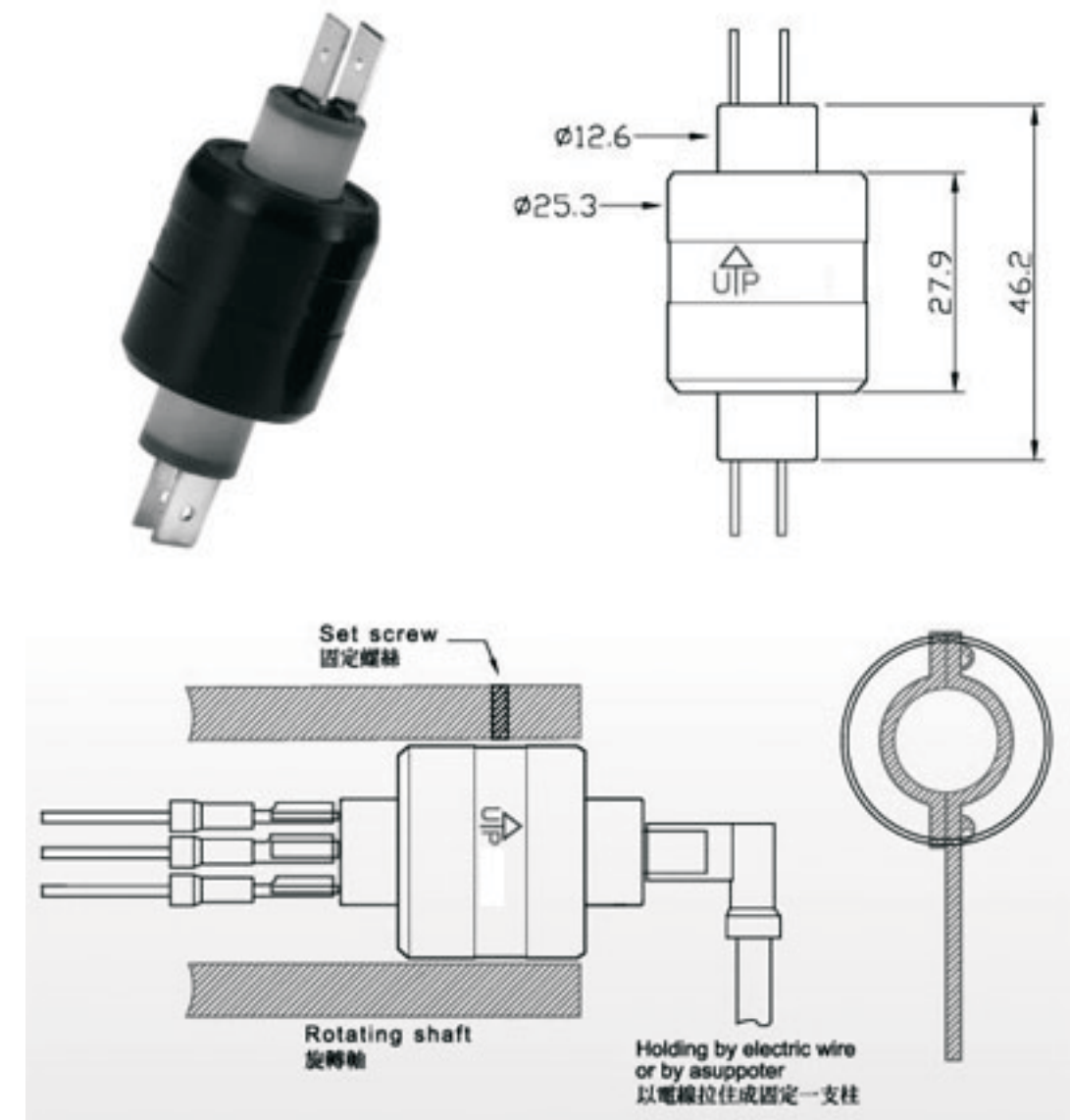
MR230 slip rings are insertion plug-type slip rings, Conducted by Mercury, are standard, off-the-shelf slip rings, available in stock.

- ▶ Anti-jamming.
- ▶ Longer working life.
- ▶ < 1mOhm contact resistance
- ▶ More durable than traditional slip rings
- ▶ Much higher rotating speed

Specifications

PART #	CURRENTA	VOLTAGE (VAC/VDC)	MAX FREQ (MHZ)	MAX SPEED RPM	TORQUE (N.M)	NOISE (MΩ)	TEMP. (°C)
MR230	4A each @ 1pole	-	100Mhz	1800RPM	0.2N.m	<1mΩ	60/-30

Part# MR110 Dimensions and Mounting



MR304 Slip Rings

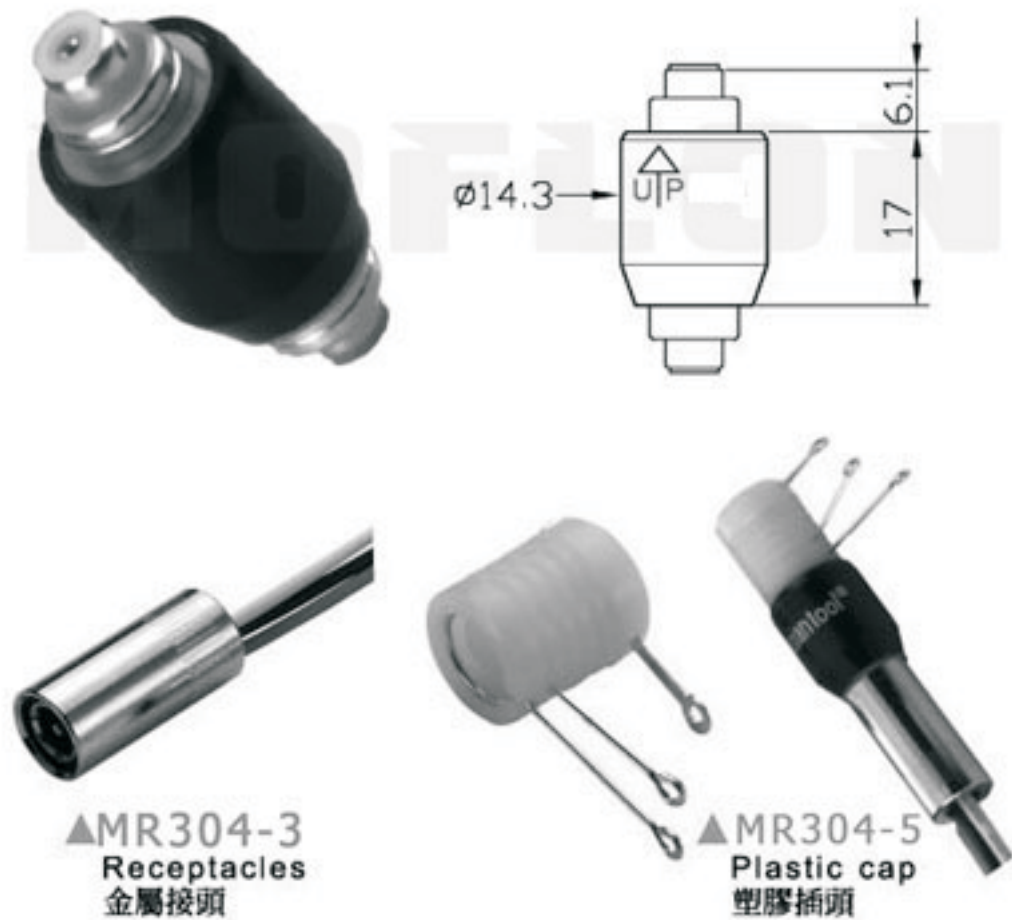
MR304 slip rings are insertion plug-type slip rings, Conducted by Mercury, are standard, off-the-shelf slip rings, available in stock.

- ▶ Anti-jamming.
- ▶ Longer working life.
- ▶ < 1mOhm contact resistance
- ▶ More durable than traditional slip rings
- ▶ Much higher rotating speed

Specifications

PART #	CURRENTA	VOLTAGE (VAC/VDC)	MAX FREQ (MHZ)	MAX SPEED RPM	TORQUE (N.M)	NOISE (MΩ)	TEMP. (°C)
MR304	4A each @ 1pole	-	100Mhz	1800RPM	0.1N.m	<1mΩ	60/-30

Part# MR110 Dimensions and Mounting



MR330 Slip Rings

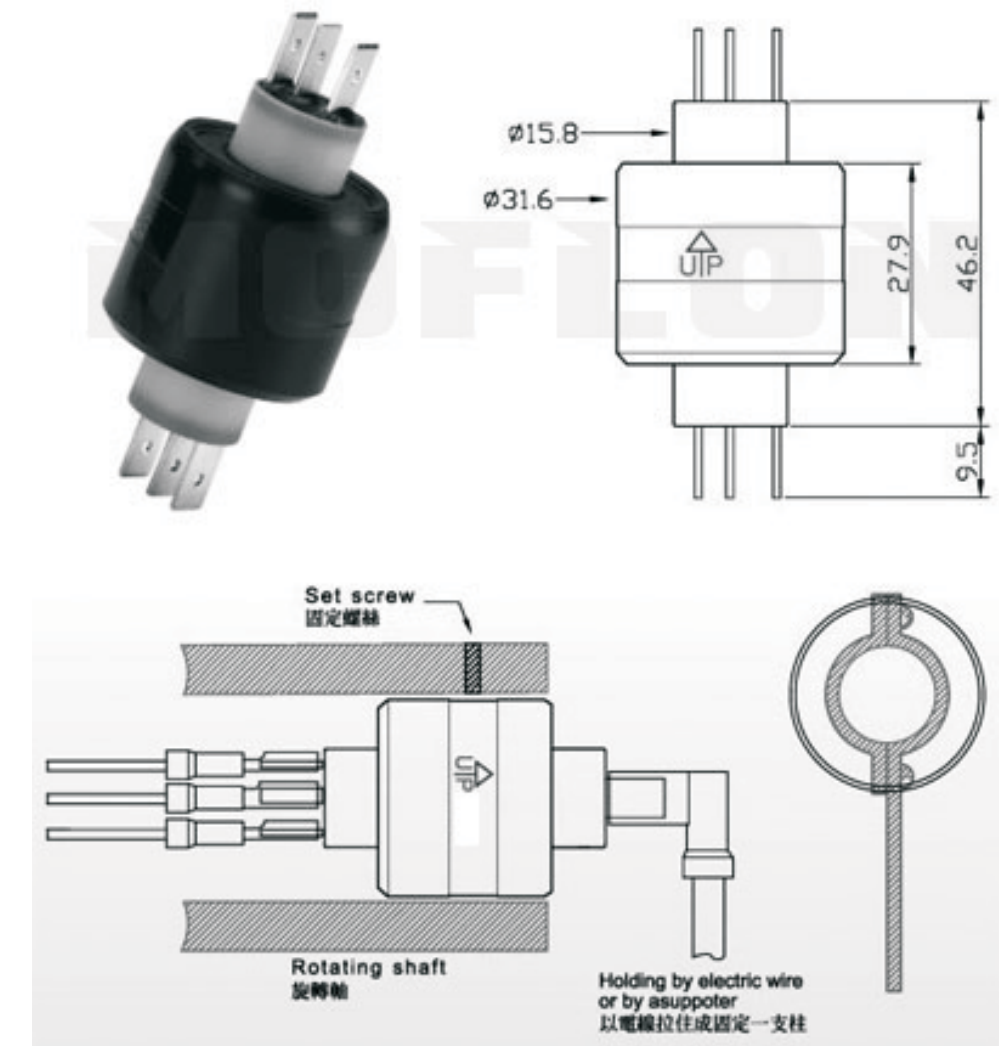
MR330 slip rings are insertion plug-type slip rings, Conducted by Mercury, are standard, off-the-shelf slip rings, available in stock.

- ▶ Anti-jamming.
- ▶ Longer working life.
- ▶ < 1mOhm contact resistance
- ▶ More durable than traditional slip rings
- ▶ Much higher rotating speed

Specifications

PART #	CURRENTA	VOLTAGE (VAC/VDC)	MAX FREQ (MHZ)	MAX SPEED RPM	TORQUE (N.M)	NOISE (MΩ)	TEMP. (°C)
MR330	4A each @ 1pole	-	100Mhz	1800RPM	0.1N.m	<1mΩ	60/-30

Part# MR110 Dimensions and Mounting



MR404 Slip Rings

MR404 slip rings are insertion plug-type slip rings, Conducted by Mercury, are standard, off-the-shelf slip rings, available in stock.

- ▶ Anti-jamming.
- ▶ Longer working life.
- ▶ < 1mOhm contact resistance
- ▶ More durable than traditional slip rings
- ▶ Much higher rotating speed

Specifications

PART #	CURRENTA	VOLTAGE (VAC/VDC)	MAX FREQ (MHZ)	MAX SPEED RPM	TORQUE (N.M)	NOISE (MΩ)	TEMP. (°C)
MR404	4A each @ 1pole	-	100Mhz	1800RPM	0.1N.m	<1mΩ	60/-30

Part# MR110 Dimensions and Mounting

MR130204 Slip Rings

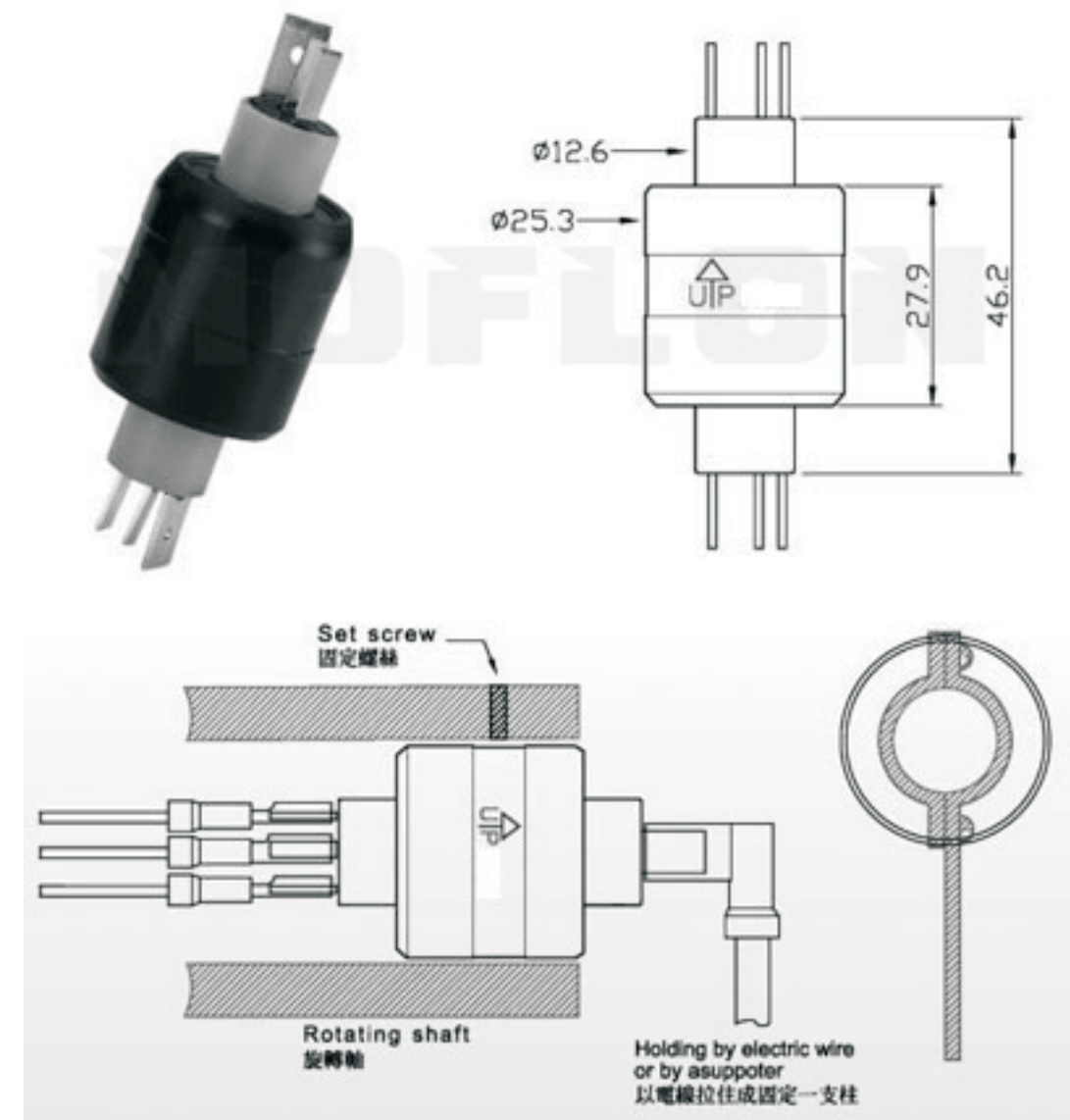
MR130204 slip rings are insertion plug-type slip rings, Conducted by Mercury, are standard, off-the-shelf slip rings, available in stock.

- ▶ Anti-jamming.
- ▶ Longer working life.
- ▶ < 1mOhm contact resistance
- ▶ More durable than traditional slip rings
- ▶ Much higher rotating speed

Specifications

PART #	CURRENTA	VOLTAGE (VAC/VDC)	MAX FREQ (MHZ)	MAX SPEED RPM	TORQUE (N.M)	NOISE (MΩ)	TEMP. (°C)
MR130204	4A each @ 1pole	-	100Mhz	1800RPM	0.1N.m	<1mΩ	60/-30

Part# MR110 Dimensions and Mounting



MR230204 Slip Rings

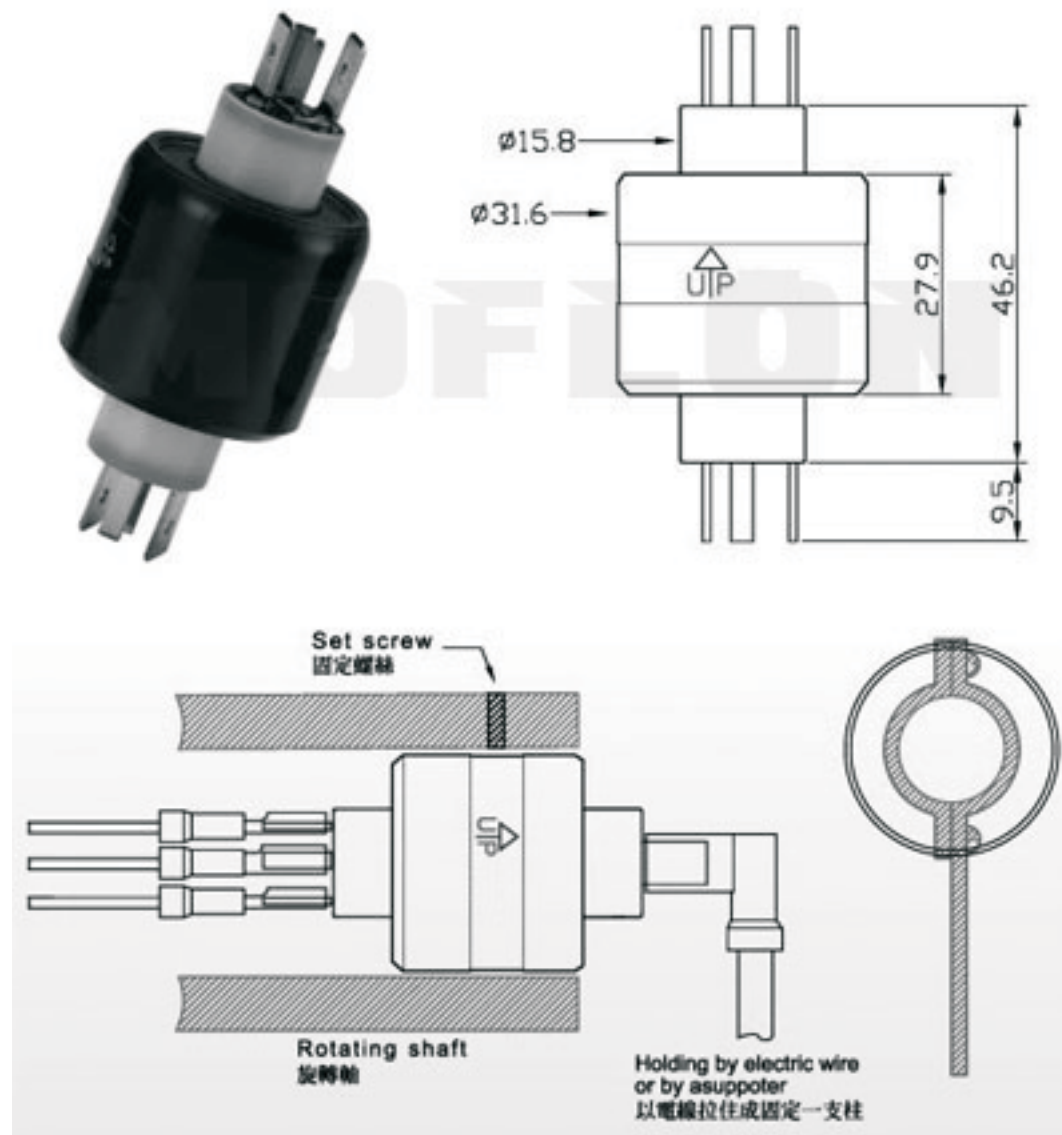
MR230204 slip rings are insertion plug-type slip rings, Conducted by Mercury, are standard, off-the-shelf slip rings, available in stock.

- ▶ Anti-jamming.
- ▶ Longer working life.
- ▶ < 1mOhm contact resistance
- ▶ More durable than traditional slip rings
- ▶ Much higher rotating speed

Specifications

PART #	CURRENTA	VOLTAGE (VAC/VDC)	MAX FREQ (MHZ)	MAX SPEED RPM	TORQUE (N.M)	NOISE (MΩ)	TEMP. (°C)
MR230204	4A each @ 1pole	-	100Mhz	1200RPM	0.2N.m	<1mΩ	60/-30

Part# MR110 Dimensions and Mounting



MR430204 Slip Rings

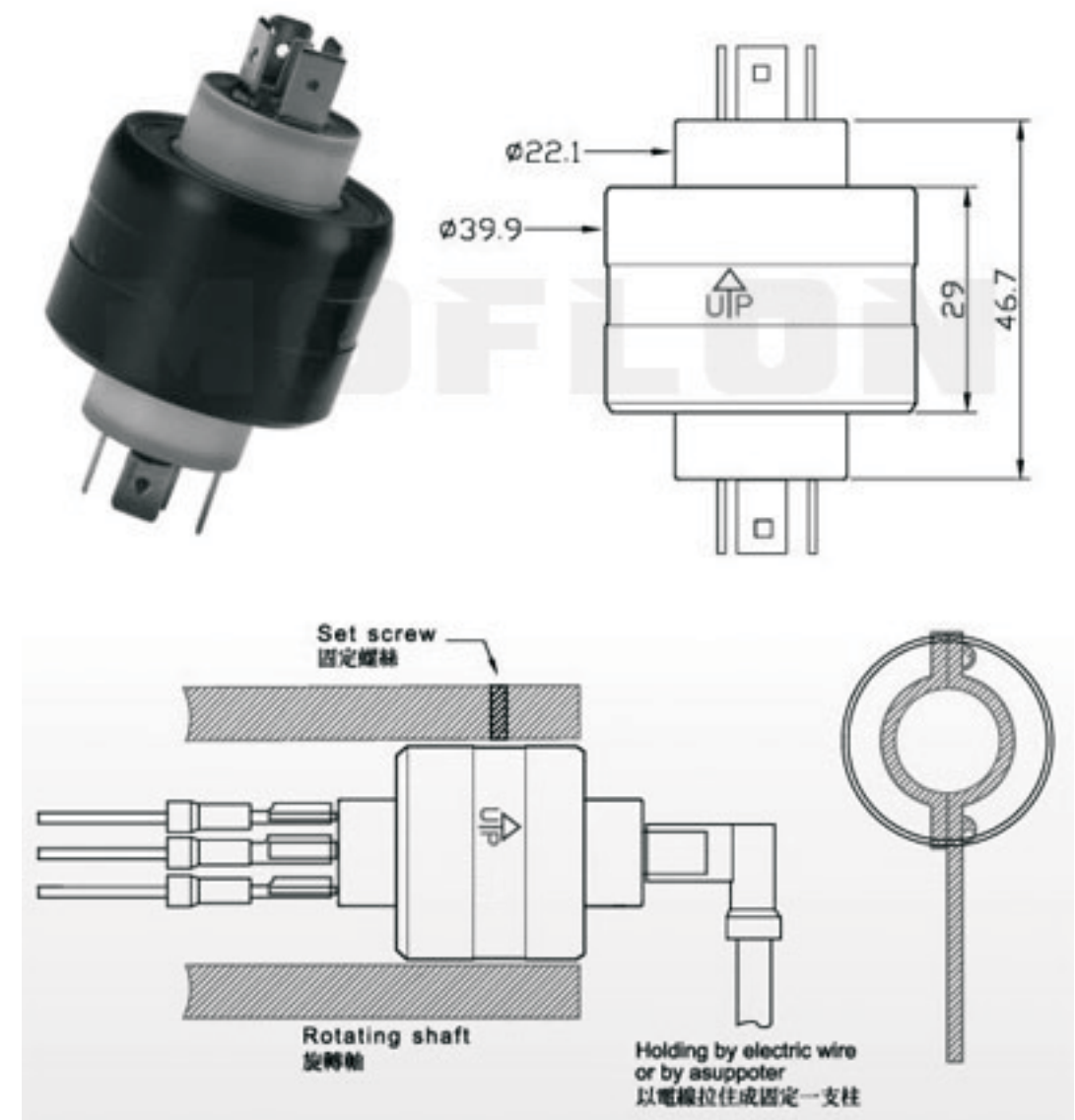
MR430204 slip rings are insertion plug-type slip rings, Conducted by Mercury, are standard, off-the-shelf slip rings, available in stock.

- ▶ Anti-jamming.
- ▶ Longer working life.
- ▶ < 1mOhm contact resistance
- ▶ More durable than traditional slip rings
- ▶ Much higher rotating speed

Specifications

PART #	CURRENTA	VOLTAGE (VAC/VDC)	MAX FREQ (MHZ)	MAX SPEED RPM	TORQUE (N.M)	NOISE (MΩ)	TEMP. (°C)
MR430204	4A each @ 1pole	-	100Mhz	300RPM	0.4N.m	<1mΩ	60/-30

Part# MR110 Dimensions and Mounting



MR630204 Slip Rings

MR630204 slip rings are insertion plug-type slip rings, Conducted by Mercury, are standard, off-the-shelf slip rings, available in stock.

- ▶ Anti-jamming.
- ▶ Longer working life.
- ▶ < 1mOhm contact resistance
- ▶ More durable than traditional slip rings
- ▶ Much higher rotating speed

Specifications

PART #	CURRENTA	VOLTAGE (VAC/VDC)	MAX FREQ (MHZ)	MAX SPEED RPM	TORQUE (N.M)	NOISE (MO)	TEMP. (°C)
MR630204	4A each @ 1pole	-	100Mhz	200RPM	1N.m	<1mΩ	60/-30

Part# MR110 Dimensions and Mounting

