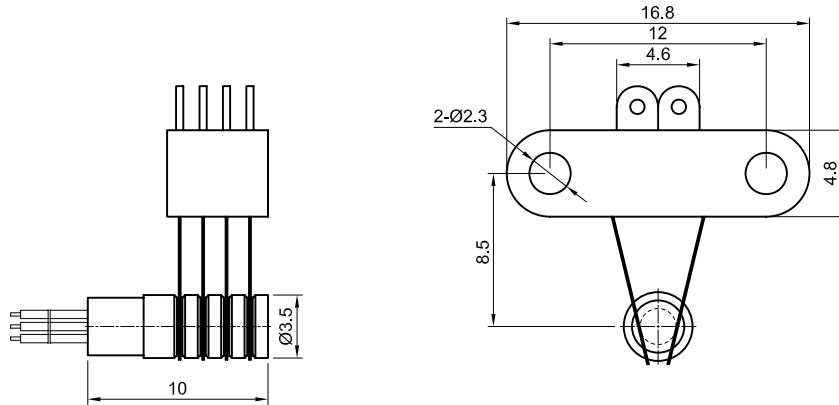
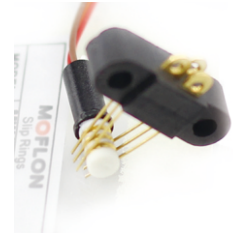


# MSP104AC Separated Slip Rings

## 4 rings\*1A

MSP104 separated slip ring is a type of minitype slip rings. It adopts a separated rotor and contact brushes combination, supporting 4 wires for signal or 1A. The exiting wires in stator and rotor are correspondingly six colored wires, it can simplify the electrical connection. The 90-degree angle V-groove design has the characteristics of smooth rotation, low torque and low electrical noise, which can exceed ordinary slip ring products.



MSP104AC9 is the highest-end version of MSP104AC, which is used for military, aerospace, etc., differences as below

Parts#	Max working speed	Working life	Torque	Electrical noise①@10Rpm
MSP104AC	250RPM	20 million	0.02 N•m	10mΩ
MSP104AC9	1000RPM	100 million	0.005 N•m	4mΩ

### Part# Explanation

MSP104 Part# Explanation		
Parts#	Signal or 1A	Products Level
MSP104AC	4	Common quality
MSP104AC9	4	High-end quality

Note: N channels 1A rings parallel can be used as 1 channel N\*1A current. For example: 2 rings 1A parallel could be used as 1 wires 2A

### Specifications

Electrical Data			Mechanical Data	
Parameter	Value		Parameter	Value
	Power	Signal	Working Temperature	-30°C~80°C
Rated Voltage	0~120VAC/VDC	0~120VAC/VDC	Operating Humidity	0~85% RH
Insulation Resistance	≥150MΩ/220VDC	≥150MΩ/220VDC	Contact Material	Gold-Gold
Lead Wires	AWG30#Teflon	AWG30#Teflon	Torque	Ip40
Lead Length	Standard 300mm (adjustable)			
Dielectric Strength	100VAC@50Hz, 60s			
Electrical Noise	<0.01Ω			

### Lead Wires Color Code

Ring	1	2	3	4
Code	BN	RED	OG	YL