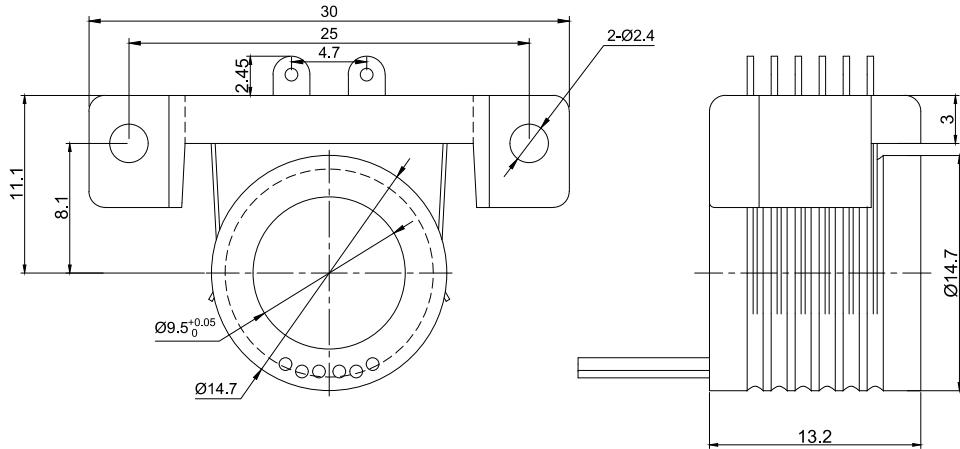


# MSP106 Separated Slip Rings

## 6 rings\*2A

MSP106 separated slip ring is a type of minitype slip rings. It adopts a separated rotor and contact brushes combination, supporting 6 wires for signal or 2A. The exiting wires in stator and rotor are correspondingly six colored wires, it can simplify the electrical connection. The 90-degree angle V-groove design has the characteristics of smooth rotation, low torque and low electrical noise, which can exceed ordinary slip ring products.



MSP1069 is the highest-end version of MSP106, which is used for military, aerospace, etc., differences as below

Parts#	Max working speed	Working life	Torque	Electrical noise@10Rpm
MSP106	250RPM	20 million	0.02 N·m	10mΩ
MSP1069	1000RPM	100 million	0.005 N·m	4mΩ

## Part# Explanation

MSP106 Part# Explanation		
Parts#	Signal or 2A	Products Level
MSP106	6	Common quality
MSP1069	6	High-end quality

Note: N channels 2A rings parallel can be used as 1 channel N\*2A current. For example: 2 rings 2A parallel could be used as 1 wires 4A

## Specifications

Electrical Data			Mechanical Data	
Parameter	Value		Parameter	Value
	Power	Signal	Working Temperature	-30°C~80°C
Rated Voltage	0~240VAC/VDC	0~240VAC/VDC	Operating Humidity	0~85% RH
Insulation Resistance	≥500MΩ/500VDC	≥500MΩ/500VDC	Contact Material	Gold-Gold
Lead Wires	AWG28#Teflon	AWG28#Teflon	Torque	IP40
Lead Length	Standard 300mm (adjustable)			
Dielectric Strength	100VAC@50Hz, 60s			
Electrical Noise	<0.01Ω			

## Lead Wires Color Code

Ring	1	2	3	4	5	6
Code	BLK	RED	YLW	GRN	BLU	WHT