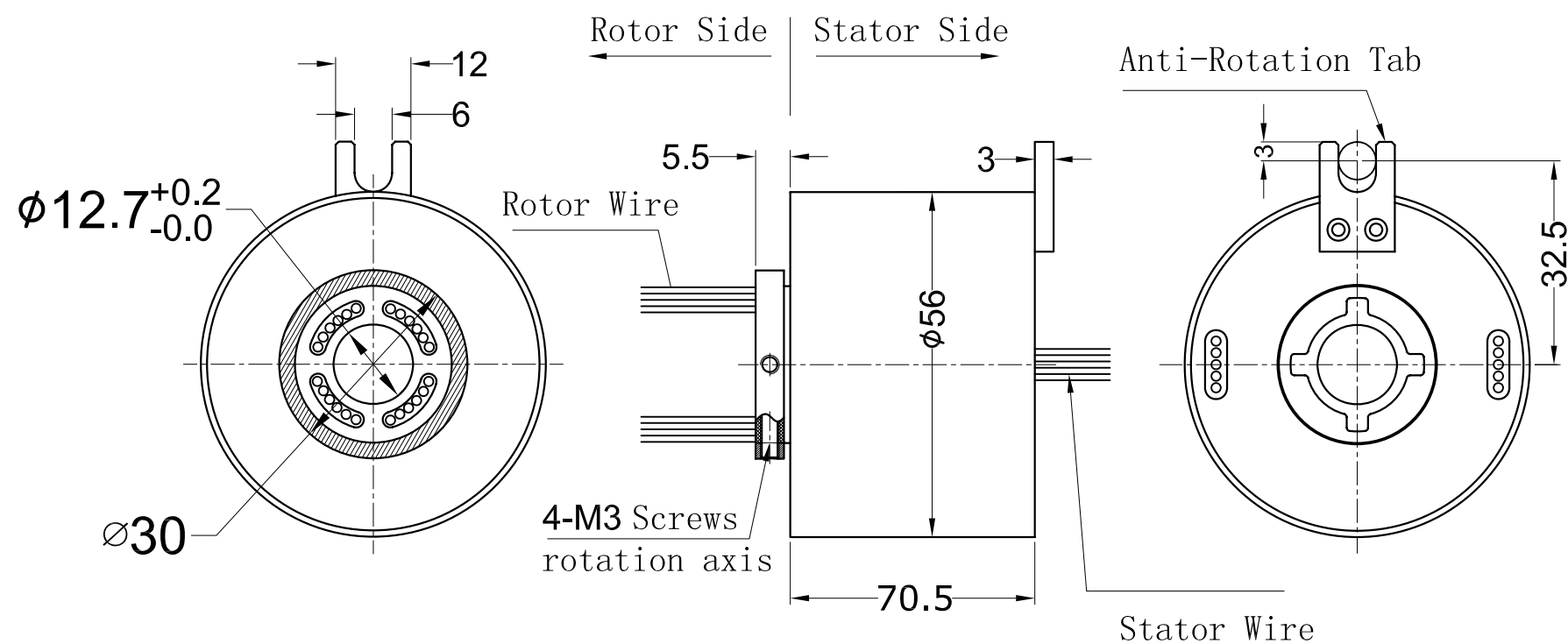


THIS DOCUMENT IS THE PROPERTY OF MOFLON TECHNOLOGY (SHENZHEN) LTD. (HEREAFTER "MOFLON"). IT IS LENT AND IS TO BE RETURNED UPON REQUEST. THE CONTENTS OF THIS DOCUMENT ARE CONFIDENTIAL AND CONSTITUTE TRADE SECRETS PROPRIETARY TO MOFLON. THIS DOCUMENT NOR ITS CONTENTS DOCUMENT NOR ITS CONTENTS SHALL BE DISCLOSED TO ANY UNAUTHORIZED PERSON COPIED OR PUBLISHED WITHOUT MOFLON PRIOR WRITTEN CONSENT.  
COPY RIGHT @ 2013 MOFLON TECHNOLOGY

MARK	ECN NO.	Modify	Approve	DATE

Electrical Parameter	Lead Wire Length	Stator: 300mm Rotor: 300mm
	Lead Wire Size	AWG 16# Teflon->10A CAT6->1000M USB cable ->USB2.0
	Rating Voltage	400VDC
	Circuits & Current	2wires*10A each +1 channel USB2.0 +1 channel 1000M Ethernet
	Dielectric Strength	≥1000V@50Hz between each circuit
	Insulation Resistance	500MΩ@1000VDC
	Electric Noise	Max 10mΩ@6VDC,50mA (Runing with 250rpm)
Mechanical Parameter	Bearing	NSK Deep groove ball bearing
	Working Speed	150RPM
	Inner Diameter	Ø12.7mm
	Inner Material	Engineering plastic
Other	Contacting Material	Precious Metal + Gold-Plating
	Housing Material	Aluminum Alloy
	Protection (IP Grade)	IP54
Working Temperature	-40°C+80°C	



1000M BASET Ethernet(CAT6) with RJ45 connector  
USB2.0(USB cables) with USB male connectors

Lead Wire Color Codes				
Rings#	Color Code			
1	BLK			
2	RED			
3~6	USB 2.0			
7~14	1000M Ethernet			

TITLE	Outline	UNIT	mm	2wires*10A each +1 channel USB2.0 +1 channel 1000M Ethernet			
MODEL	MB120-0210-01E-01U	SCALE	1:1	DESIGN		DATE	
<b>MOFLON</b>				CHECKED		DATE	
				PROJ.	⊕	REV.	A / 0