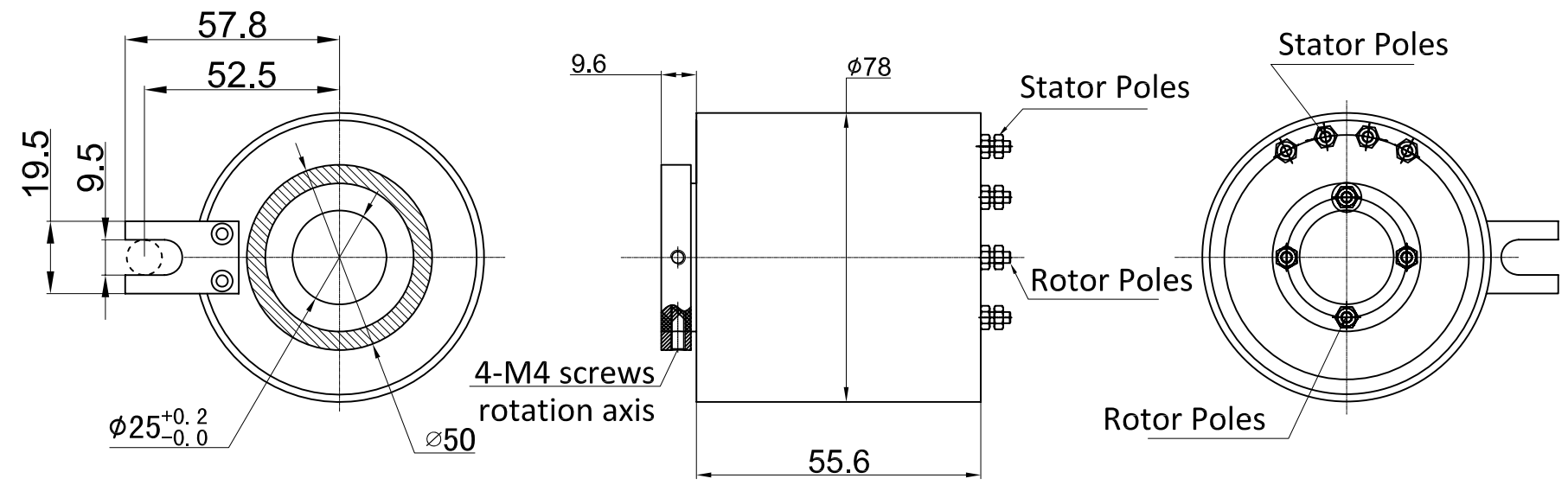


THIS DOCUMENT IS THE PROPERTY OF MOFLON TECHNOLOGY (SHENZHEN) LTD. (HEREAFTER "MOFLON"). IT IS LENT AND IS TO BE RETURNED UPON REQUEST. THE CONTENTS OF THIS DOCUMENT ARE CONFIDENTIAL AND CONSTITUTE TRADE SECRETS PROPRIETARY TO MOFLON. THIS DOCUMENT NOR ITS CONTENTS DOCUMENT NOR ITS CONTENTS SHALL BE DISCLOSED TO ANY UNAUTHORIZED PERSON COPIED OR PUBLISHED WITHOUT MOFLON PRIOR WRITTEN CONSENT.
COPY RIGHT @ 2013 MOFLON TECHNOLOGY

MARK	ECN NO.	Modify	Approve	DATE

Electrical Parameter	
packing machine slip rings	
Rating Voltage	48VDC/VAC
Circuits & Current	40A each @ 2wires +1channel PT100
Dielectric Strength	≥1000V@50Hz between each circuit
Insulation Resistance	500MΩ@1000VDC
Electric Noise	Max 10mΩ@6VDC,50mA (Runing with 250rpm)
Mechanical Parameter	
Bearing	NSK Deep groove ball bearing
Inner Diameter	Ø25mm
Working Speed	500RPM
Inner Material	Engineering plastic
Contacting Material	Precious Metal + Gold Plating
Housing Material	Aluminum Alloy
Other	
Protection (IP Grade)	IP51
Working Temperature	-40°C+80°C



MT025-P0240-S02-RD



UNLESS OTHERWISE SPECIFIED		TOLERANCES (EXCEPT AS NOTED)		40A each @ 2wires + 1channel PT100	
1. ALL DIMENSIONS ARE IN MM HES BREAK SHARP EDGES & DEBURR		DECIMAL X±.1		MODEL MT025-P0240-S02-RD	
2. MATERIAL & FINISH TO BE AS NOTED OR SUBSTITUTED WITH AN APPROVED AND TESTED EQUIVALENT		XX±.03		SIZE A	
FILLETS R.015	FINISH 125/	XXX±.005		RE V. A / 0	
THIRD ANGLE PROJECTION		FRACTIONAL ±1/16		SCALE 1:1	
ANGULAR ±1°		ENG	ENG	DATE	UNIT mm

MOFLON