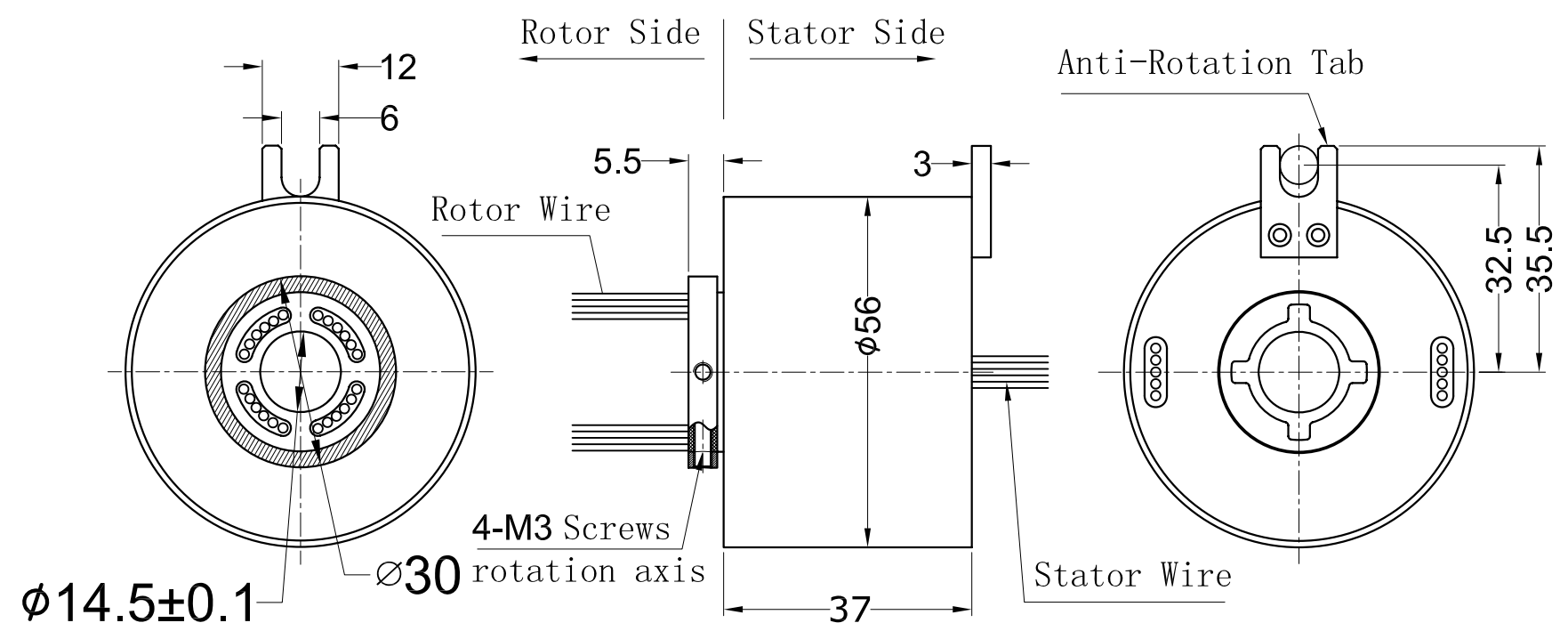


THIS DOCUMENT IS THE PROPERTY OF MOFLON TECHNOLOGY (SHENZHEN) LTD. (HEREAFTER "MOFLON"). IT IS LENT AND IS TO BE RETURNED UPON REQUEST. THE CONTENTS OF THIS DOCUMENT ARE CONFIDENTIAL AND CONSTITUTE TRADE SECRETS PROPRIETARY TO MOFLON. THIS DOCUMENT NOR ITS CONTENTS DOCUMENT NOR ITS CONTENTS SHALL BE DISCLOSED TO ANY UNAUTHORIZED PERSON COPIED OR PUBLISHED WITHOUT MOFLON PRIOR WRITTEN CONSENT.
COPY RIGHT @ 2013 MOFLON TECHNOLOGY

MARK	ECN NO.	Modify	Approve	DATE

Electrical Parameter	Lead Wire Length	Stator: 300mm Rotor: 300mm
	Lead Wire Size	AWG 16# Teflon->10A USB2.0 cables with male connectors
	Rating Voltage	440V
	Circuits & Current	2circuits * 10A +1 channel USB2.0
	Dielectric Strength	≥1000V@50Hz between each circuit
	Insulation Resistance	500MΩ@1000VDC
	Electric Noise	Max 10mΩ@6VDC,50mA (Runing with 250rpm)
Mechanical Parameter	Bearing	Steel bearing
	Working Speed	250RPM
	Inner Diameter	Ø12.7mm
	Inner Material	Engineering plastic
Other	Contacting Material	Precious Metal
	Housing Material	Aluminum Alloy
	Protection (IP Grade)	IP54
Working Temperature	-40°C+80°C	



Lead Wire Color Codes					
12 wires for one group color. Group Seq Is Indicated with number code plpe.					
Rings#	Color Code	Rings#	Color Code	Rings#	Color Code
1	BLK	5	YEL	9	GRY
2	BRN	6	GRN	10	WHT
3	RED	7	BLU	11	PINK
4	ORN	8	PURPLE	12	AZURY

TITLE	Outline	UNIT	mm	2circuits * 10A+1 channel USB2.0			
MODEL	MUSB21210-P0210	SCALE	1:1	DESIGN		DATE	
MOFLON				CHECKED		DATE	
				PROJ.	⊕	REV.	A / 0