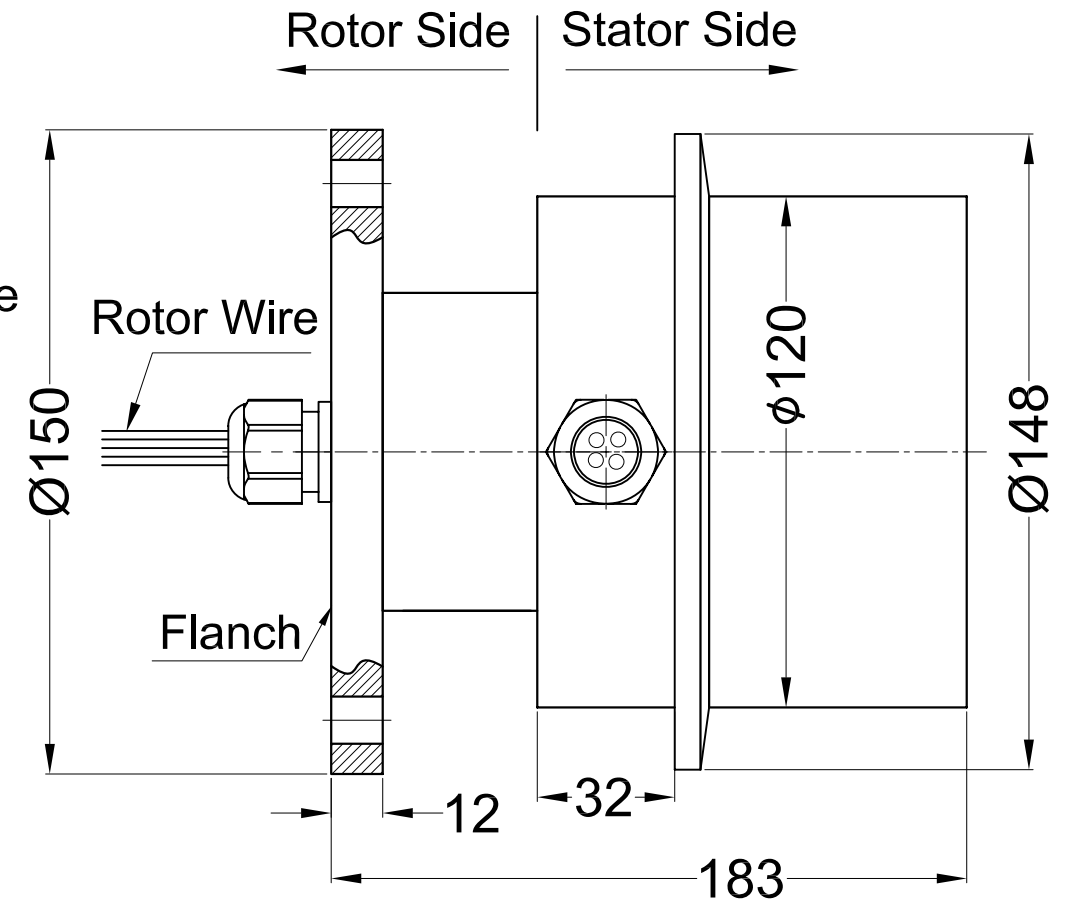
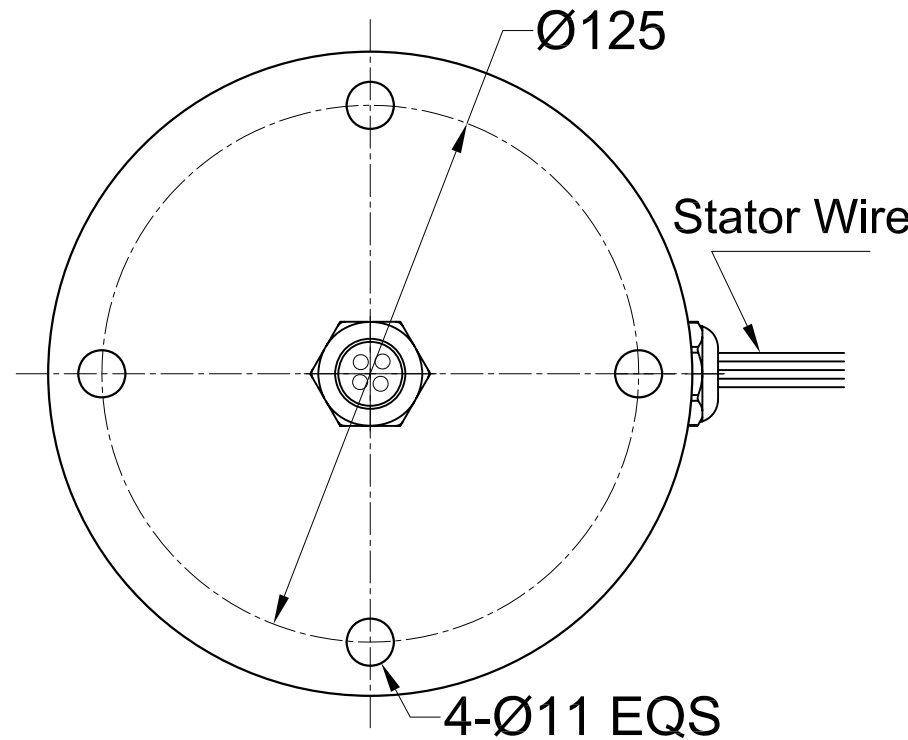


THIS DOCUMENT IS THE PROPERTY OF MOFLON TECHNOLOGY (SHENZHEN) LTD. (HEREAFTER "MOFLON"). IT IS LENT AND IS TO BE RETURNED UPON REQUEST. THE CONTENTS OF THIS DOCUMENT ARE CONFIDENTIAL AND CONSTITUTE TRADE SECRETS PROPRIETARY TO MOFLON. THIS DOCUMENT NOR ITS CONTENTS DOCUMENT NOR ITS CONTENTS SHALL BE DISCLOSED TO ANY UNAUTHORIZED PERSON COPIED OR PUBLISHED WITHOUT MOFLON PRIOR WRITTEN CONSENT.
COPY RIGHT @ 2013 MOFLON TECHNOLOGY

MARK	ECN NO.	Modify	Approve	DATE

Customized Solutions MX120-1E

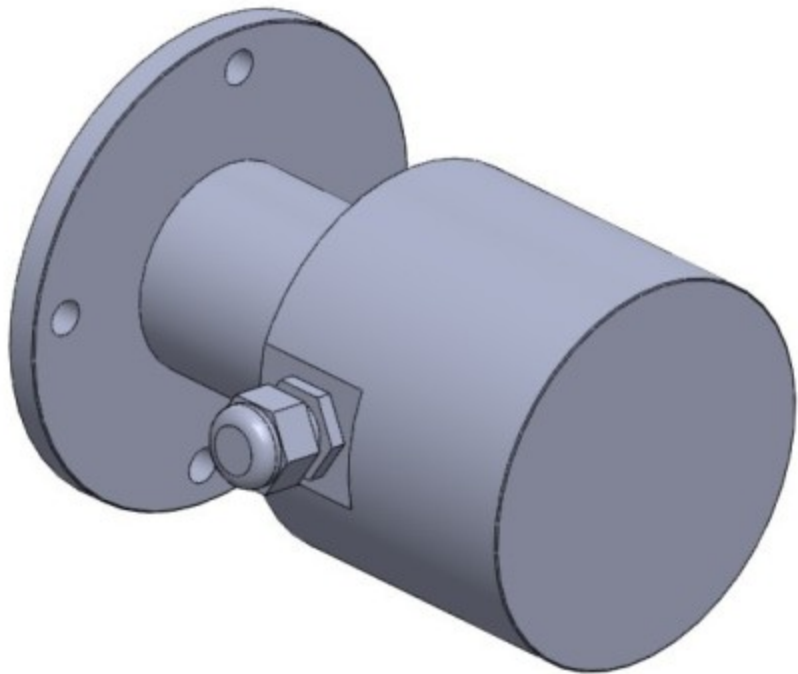
Electrical Parameter	Lead Wire Length	Stator: 300mm Rotor: 300mm
	Lead Wire Size	CAT5 Ethernet Wires with RJ45 Connectors
	Rating Voltage	240V
	Circuits & Current	1 channel 1000M BASET Ethernet
	Dielectric Strength	≥1000V@50Hz between each circuit
	Insulation Resistance	500MΩ@1000VDC
	Electric Noise	Max 10mΩ@6VDC,50mA (Runing with 250rpm)
Mechanical Parameter	Bearing	Steel bearing
	Working Speed	250RPM
	Inner Diameter	Solid
	Inner Material	Engineering plastic
Other	Protection (IP Grade)	IP65
	Working Temperature	-40°C+80°C

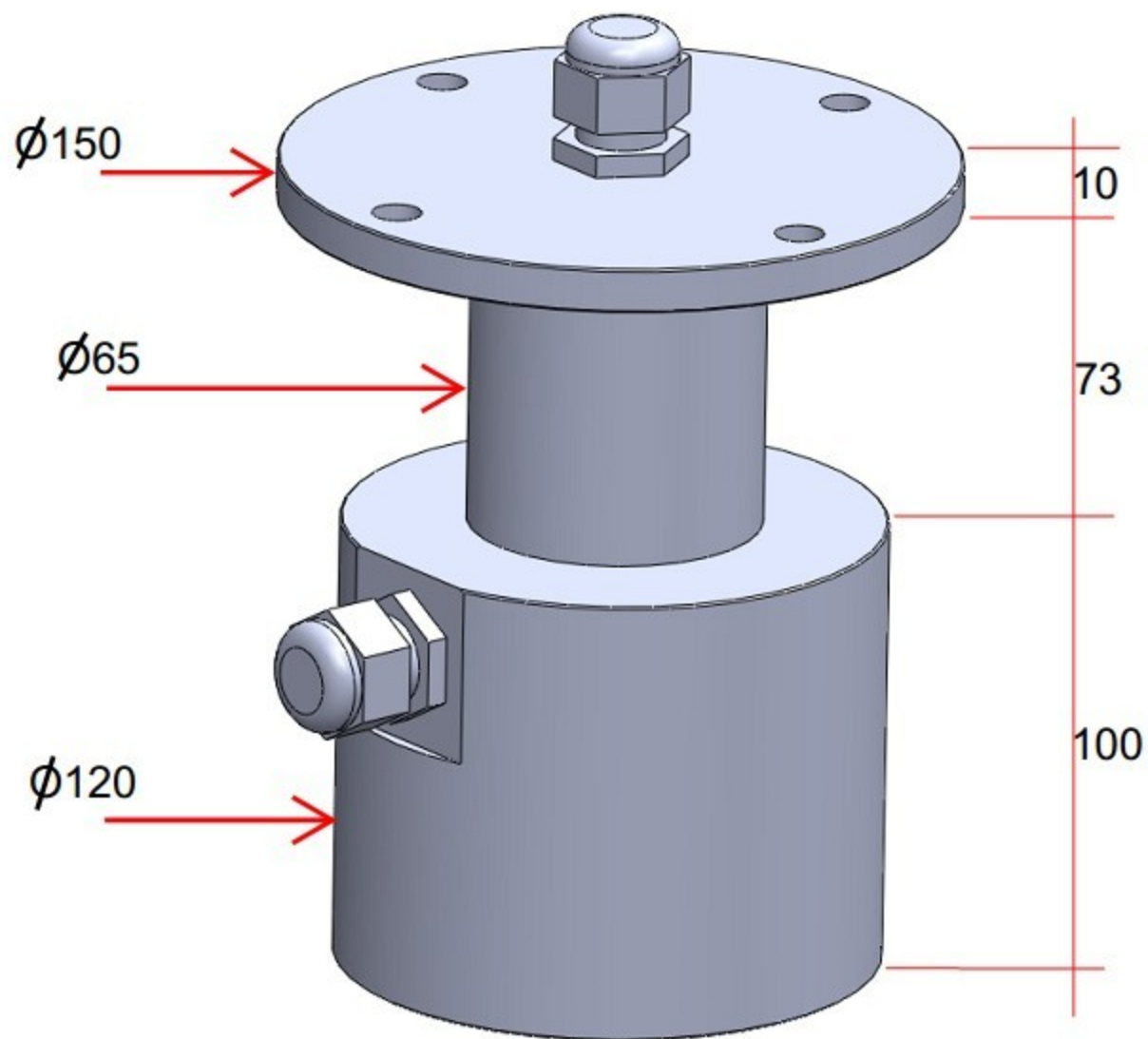


Lead Wire Color Codes

Rings#	Color Code	Rings#	Color Code		
1~8	Ethernet				

TITLE	Outline	UNIT	mm	1 channel Ethernet(1000BASET)			
MODEL	MX120-1E	SCALE	1:1	DESIGN		DATE	
MOFLON				CHECKED		DATE	
				PROJ.	⊕	REV.	A / 0





casing / cover



1

3

2

