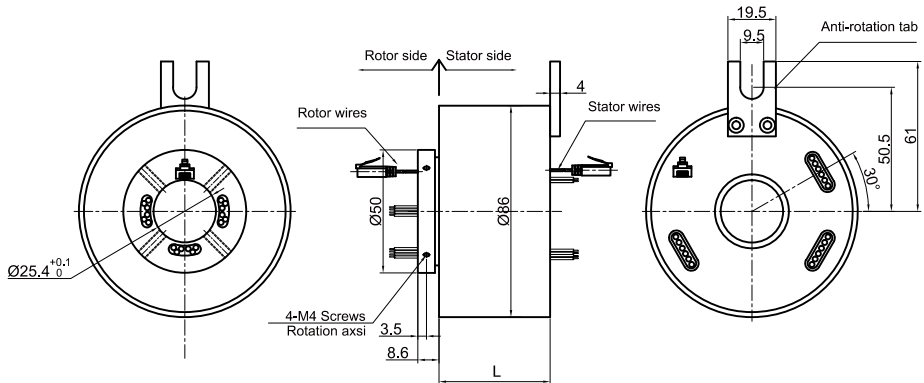
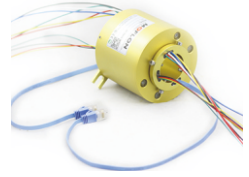


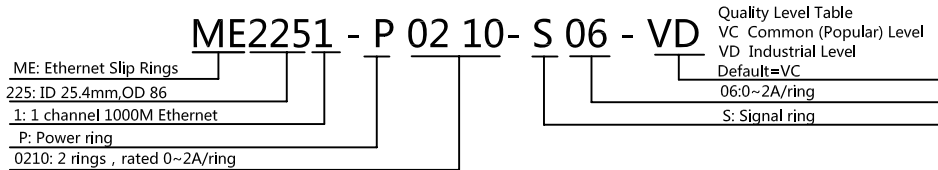
ME2251 (100M/1000M BASET Ethernet)

1 channel 1000M Ethernet+ 1~16 power and signal channel

ME2251, support 1 channel 1000M base T Ethernet slip rings, with compact OD 86mm, ID, 25.4mm, can transfer 100M/1000M Ethernet signal, which is stable, no packet loss, not string of code, small return loss, low insertion loss, Strong anti-jamming capability, also Can mixed with electrical power and Signal channel, Military coating technology, Super low BER error rate and high signal to noise ratio.



Part# Explanation



Specifications

Ethernet Specification	
Parameter	Value
1000M	1 channel 1000M Ethernet
Connector	RJ45
BER Error rate	10E-11
Electrical Data	
Parameter	Value
	Power
Rated Voltage	0~440VAC/VDC
Insulation Resistance	≥1000MΩ/500VDC
Lead Wires	AWG16#Teflon
Lead Length	Standard 300mm
Dielectric Strength	500VAC@50Hz, 60s
Electrical Noise	<0.01Ω
	Signal
Rated Voltage	0~440VAC/VDC
Insulation Resistance	≥1000MΩ/500VDC
Lead Wires	AWG22#Teflon
Mechanical Data	
Parameter	Value
Working Life	See Product Quality Level Table
Rotating Speed	See Product Quality Level Table
Working temperature	-30°C~80°C
Operating Humidity	0~85% RH
Contact Material	See Product Quality Level Table
Housing Material	Aluminium Alloy
Torque	0.1N.m ; +0.03N.m/6 rings
Protection grade	IP51

Part# List

ME2251 Series Ethernet Slip Ring											
Part#	1000M Ethernet	10A	20A	Signal 5A	Length (mm)	Part#	1000M Ethernet	10A	20A	Signal 5A	Length (mm)
ME2251-S04	1	0	0	4	65.6	ME2251-P0810-S08	1	8	0	8	106.4
ME2251-P0410	1	4	0	0	65.6	ME2251-P1010-S06	1	10	0	6	106.4
ME2251-P0420	1	0	4	0	86	ME2251-S22	1	0	0	22	126.8
ME2251-S10	1	0	0	10	86	ME2251-P0410-S18	1	4	0	18	126.8
ME2251-P0210-S08	1	2	0	8	86	ME2251-P2210	1	22	0	0	126.8
ME2251-P0410-S06	1	4	0	6	86	ME2251-S28	1	0	0	28	147.2
ME2251-P0610-S04	1	6	0	4	86	ME2251-P0610-S22	1	6	0	22	147.2
ME2251-S16	1	0	0	16	106.4	ME2251-P0610-S34	1	6	0	34	191
ME2251-P1610	1	16	0	0	106.4	ME2251-S40	1	0	0	40	191
ME2251-P0410-S12	1	4	0	12	106.4	ME2251-P0610-S40	1	6	0	40	211.4
ME2251-P0610-S10	1	6	0	10	106.4	ME2251-S46	1	0	0	46	211.4

1) 10A , 20A , 5A can be combined in any way , we'd pleased to help if need higher than 2A

Product Quality Level Table

Products Level Code	Max Rotating Speed	Working Life	Contact Material
VC	150RPM	10 Million Revs.	Precious Metal
VD	600RPM	20 Million Revs	Gold-plated

Lead Wires Color Code

Ring	1	2	3	4	5	6	7	8	9	10	11	12
Color	BLK	RED	YEL	GRN	BLU	WHT	BLK	RED	YEL	GRN	BLU	WHT

(6 wires for 1 group colors, from 7-12, repeat the same color as 1...6, indicated with number code pipe)

Option for custom slip ring

Note : Below special demands can be customized , Accordingly,the delivery date will be extended 3~15days , also the cost will be increased 30%~50%.Most of our basic parts are standard and modular ,customized greatly save the cost and time as well.

- ① The wiring method and length can be customized for both rotor and stator.
- ② Because of the structure limitation , length/height/OD can be customized on your request.
- ③ Support 200rings of current and signal.
- ④ Aviation plug,Terminal and Heat-shrink tube can be selected.
- ⑤ Hybrid slip ring for Yaskawa/Panasonic /Siemens servo control signal,main power,encoder
- ⑥ Support mixed high speed data transmission (including Ethernet,USB, Profibus , Ethercat , CANOPEN,CANBUS , RS232 , RS485) .
- ⑦ Mix Temperature control signal and Thermocouple signal
- ⑧ Special environment customize for quakeproof and high temperature.
- ⑨ Hybrid Pneumatic/Hydraulic +electrical slip ring.
- ⑩ Max. Temperature :500°C.
- ⑪ Max.Voltage:110kV.
- ⑫ Max. rotating speed :10000RPM.
- ⑬ Max.current:5000A.
- ⑭ Military technology.
- ⑮ Options:Aqua mode , IP65 or IP68 .
- ⑯ Stainless steel Housing.

Technical support : technical@moflon.com