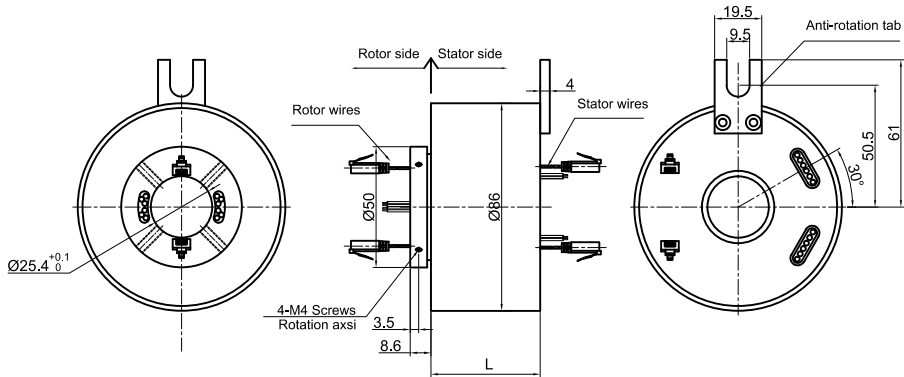


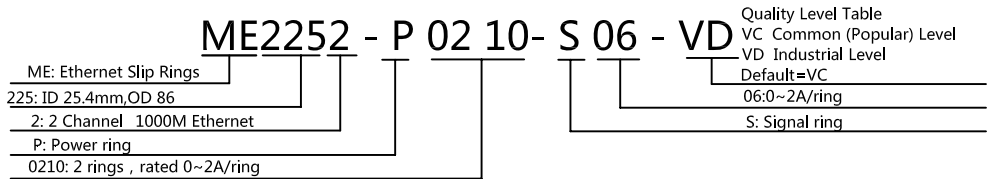
# ME2252 (100M/1000M BASET Ethernet)

## 2 channel 1000M Ethernet+ 1~16 power and signal channel

ME2252,support 2 channel 1000M base T Ethernet slip rings, with compact OD 86mm,ID , 25.4mm , flange mounting, can transfer 100M/1000M Ethernet signal , which is stable , no packet loss , not string of code , small return loss , low insertion loss , Strong anti-jamming capability ,also Can mixed with electrical power and Signal channel , Military coating technology , Super low BER error rate and high signal to noise ratio.



### Part# Explanation



### Specifications

Ethernet Specification			
Parameter	Value		
1000M	2 channel 1000M Ethernet		
Connector	RJ45		
BER Error rate	10E-11		
Electrical Data			
Parameter	Value		
	Power	Signal	
Rated Voltage	0~440VAC/VDC	0~440VAC/VDC	
Insulation Resistance	≥1000MΩ/500VDC	≥1000MΩ/500VDC	
Lead Wires	AWG16#Teflon	AWG22#Teflon	
Lead Length	Standard 300mm		
Dielectric Strength	500VAC@50Hz , 60s		
Electrical Noise	<0.01Ω		
Mechanical Data			
Parameter	Value		
Working Life	See Product Quality Level Table		
Rotating Speed	See Product Quality Level Table		
Working temperature	-30°C~80°C		
Operating Humidity	0~85% RH		
Contact Material	See Product Quality Level Table		
Housing Material	Aluminium Alloy		
Torque	0.1N.m ; +0.03N.m/6 rings		
Protection grade	IP51		

## Part# List

ME2252-2 Series Ethernet Slip Ring											
Part#	1000M Ethernet	10A	20A	Signal 5A	Length ( mm )	Part#	1000M Ethernet	10A	20A	Signal 5A	Length ( mm )
ME2252-S02	2	0	0	2	86	ME2252-P1010-S04	2	10	0	4	126.8
ME2252-P0210	2	2	0	0	86	ME2252-P1410	2	14	0	0	126.8
ME2252-S08	2	0	0	8	106.4	ME2252-S20	2	0	0	20	147.2
ME2252-P0810	2	8	0	0	106.4	ME2252-P0410-S16	2	4	0	16	147.2
ME2252-P0420	2	0	4	0	106.4	ME2252-P1010-S10	2	10	0	10	147.2
ME2252-P0410-S04	2	4	0	4	106.4	ME2252-P2010	2	20	0	0	147.2
ME2252-S14	2	0	0	14	126.8	ME2252-P0610-S26	2	6	0	26	191
ME2252-P0410-S10	2	4	0	10	126.8	ME2252-S32	2	0	0	32	191
ME2252-P0610-S08	2	6	0	8	126.8	ME2252-P0610-S32	2	6	0	32	211.4
ME2252-P0810-S06	2	8	0	6	126.8	ME2252-S38	2	0	0	38	211.4

1) 10A , 20A , 5A can be combined in any way , we'd pleased to help if need higher than 2A

## Product Quality Level Table

Products Level Code	Max Rotating Speed	Working Life	Contact Material
VC	150RPM	10 Million Revs.	Precious Metal
VD	600RPM	20 Million Revs	Gold-plated

## Lead Wires Color Code

Ring	1	2	3	4	5	6	7	8	9	10	11	12
Color	BLK	RED	YEL	GRN	BLU	WHT	BLK	RED	YEL	GRN	BLU	WHT

(6 wires for 1 group colors, from 7-12, repeat the same color as 1...6, indicated with number code pipe)

## Option for custom slip ring

Note : Below special demands can be customized , Accordingly,the delivery date will be extended 3~15days , also the cost will be increased 30%~50%.Most of our basic parts are standard and modular ,customized greatly save the cost and time as well.

- ① The wiring method and length can be customized for both rotor and stator.
- ② Because of the structure limitation , length/height/OD can be customized on your request.
- ③ Support 200rings of current and signal.
- ④ Aviation plug,Terminal and Heat-shrink tube can be selected.
- ⑤ Hybrid slip ring for Yaskawa/Panasonic /Siemens servo control signal,main power,encoder
- ⑥ Support mixed high speed data transmission ( including Ethernet,USB, Profibus , Ethercat , CANOPEN,CANBUS , RS232 , RS485 ) .
- ⑦ Mix Temperature control signal and Thermocouple signal
- ⑧ Special environment customize for quakeproof and high temperature.
- ⑨ Hybrid Pneumatic/Hydraulic +electrica slip ring.
- ⑩ Max. Temperature :500°C.
- ⑪ Max.Voltage:110kV.
- ⑫ Max. rotating speed :10000RPM.
- ⑬ Max.current:5000A.
- ⑭ Military technology.
- ⑮ Options:Aqua mode , IP65 or IP68 .
- ⑯ Stainless steel Housing.

Technical support : technical@moflon.com