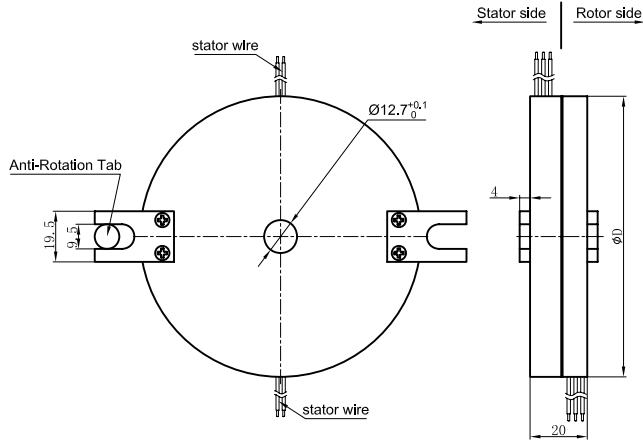
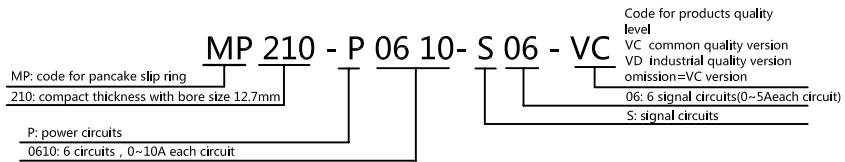


# MP210 series pancake slip ring

MP210 pancake slip ring have a thickness of 20mm,all aluminum alloy structure,using precious metal contact material and gold-plated processing It can transmit stable signal and power with small resistance fluctuations  
Designed for min thickness requirements,when thickness is restrictive but diameter is less restrictive.



## Explanation



## Part list

MP210 Series Pancake Slip Ring				
Parts#	Signal (5A)	10A	20A	ΦD (mm)
MP210-S02	2	0	0	76
MP210-P0210	0	2	0	76
MP210-P0210-S02	2	2	0	92
MP210-P0410	0	4	0	92
MP210-S06	6	0	0	108
MP210-P0610	0	6	0	108
MP210-P0620	0	0	6	108
MP210-P0210-S04	4	2	0	108
MP210-S12	12	0	0	156
MP210-P1210	0	12	0	156
MP210-P1220	0	0	12	156
MP210-P0610-S06	6	6	0	156
MP210-P0620-S06	6	0	6	156
MP210-S18	18	0	0	204
MP210-P1810	0	18	0	204
MP210-P0610-S12	12	6	0	204
MP210-P1210-S06	6	12	0	204
MP210-P0810-S10	10	8	0	204
MP210-S24	24	0	0	252
MP210-P2410	0	24	0	252
MP210-P0610-S18	18	6	0	252
MP210-P1210-S12	12	12	0	252

Through bore size,total circuits and current can be customized,please contact sales

## Specifications

Electrical Technique Data		
Parameter	Value	
	Power	Signal
Rated voltage	0~440VAC/VDC	0~240VAC/VDC
Insulation Resistance	≥1000MΩ/500VDC	≥1000MΩ/500VDC
Lead spec	AWG16#Teflon	AWG22#Teflon
Lead length	Standard 300mm ( can be extend )	
Dielectric Strength	500VAC@50Hz , 60s	
Electrical Noise	<0.01Ω	
Mechanical Data		
Parameter	Value	
Working Life	See product quality level table	
Rotating Speed	See product quality level table	
Working temperature	-30°C~80°C	
Operating Humidity	0~85% RH	
Contact Material	See product quality level table	
Housing Materia	aluminium alloy	
Torque	0.1N.m ; +0.03N.m/6rings	
Protection grade	IP51	

## Product Quality Level Table

Products Level Code	Max Rotating Speed	Working Life	Contact Material
VC	60RPM	3 million revs	Precious Metal
VD	200RPM	10 million revs	Gold-plated

## Lead Wires Color Code

Ring	1	2	3	4	5	6	7	8	9	10	11	12
Color	BLK	RED	YEL	GRN	BLU	WHT	BLK	RED	YEL	GRN	BLU	WHT

Note : 6 wires for 1 group colors, from 7-12, repeat the same color as 1..6, indicated with number code pipe.