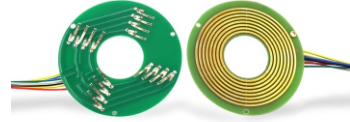
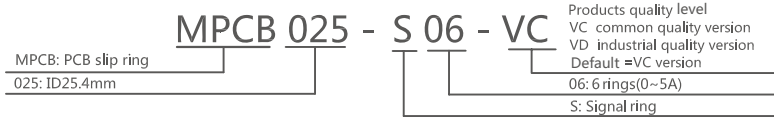


MPCB025 Series PCB Slip Ring

MPCB025 ultrathin pancake series slip ring, adopt PCB substrate, thickness can up to 5.8 mm, which made of super hard gold plating, super thick copper foil process, maximum current can up to 10A, color-coded lead wires are used on both the stator and rotor for simplified electrical connectors.



Part# Explanation

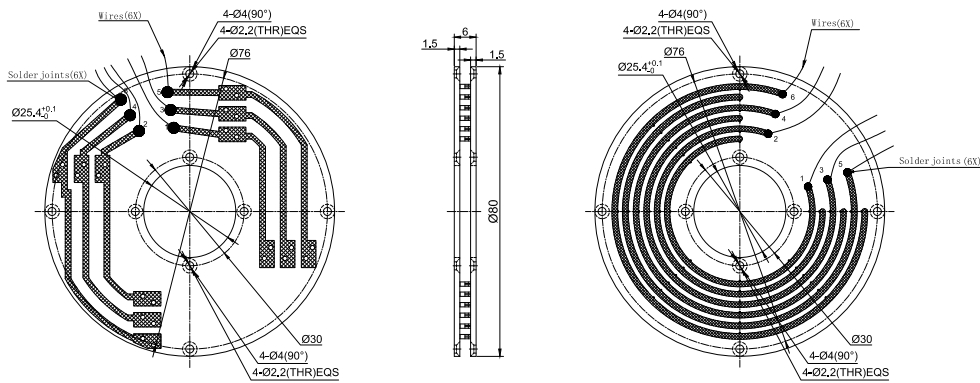


Parts# List

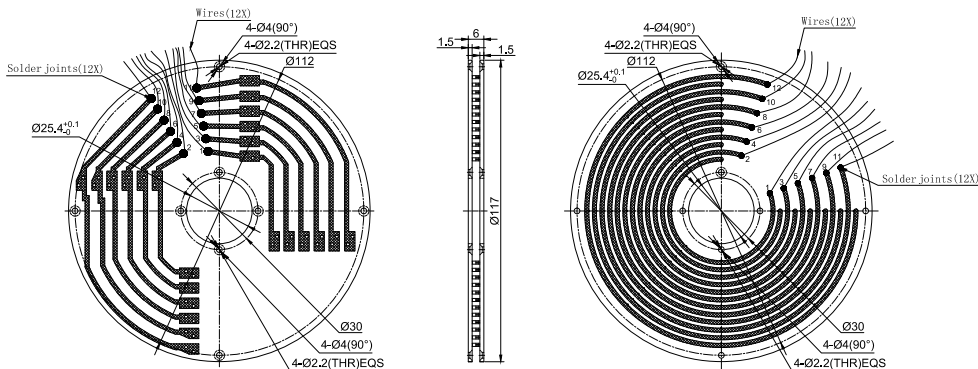
MPCB025 Series Parts# List							
Part#	10A	Signal or 5A	Rings	Part#	10A	Signal or 5A	Rings
MPCB025-S06	0	6	6	MPCB025-S12	0	12	12
MPCB025-P0610	6	0	6	MPCB025-P1210	12	0	12

Note:1) N channels 5A rings parallel can be used as 1 channel N*5A current. For example: 2 rings 5A parallel could be used as 1 wires 10A
2) ID and circuits can be customized according to customers' requirements, plz contact with sales representative

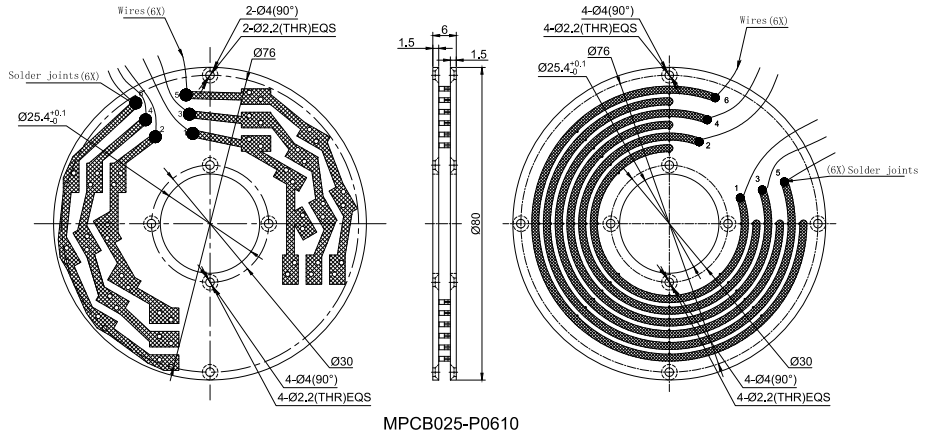
1. MPCB025-S06 dimensions



2. MPCB025-S12 dimensions

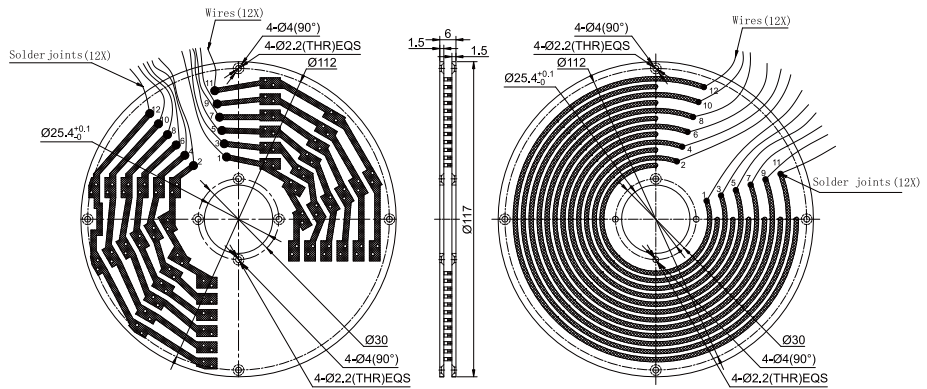


3. MPCB025-P0610– dimensions



MPCB025-P0610

3. MPCB025-P1210– dimensions



Specifications

Mechanical Data		Electrical Data		
Parameter	Value	Parameter	Value	
Working Life	See Product Quality Level Table		Power	Signal
Rotating Speed	See Product Quality Level Table	Rated Voltage	0~220VAC/VDC	0~220VAC/VDC
Working Temperature	-30°C~80°C	Insulation Resistance	$\geq 500\text{M}\Omega/240\text{VDC}$	$\geq 500\text{M}\Omega/240\text{VDC}$
Operating Humidity	0~85% RH	Lead Wires	AWG18#Silicone Wire	AWG24#Silicone Wire
Contact Material	See Product Quality Level Table	Lead Length	Standard 300mm (adjustable)	
Contact Material	Aluminum alloy	Dielectric Strength	100VAC@50Hz, 60s	
Torque	0.05N.m; +0.03N.m/6rings	Electrical Noise	<0.01 Ω	
Protection Grade	IP41			

Product Quality Level Table

Products Level Code	Max Rotating Speed	Working Life	Contact Material
VC	100RPM	3 Million Revs	Precious Metal
VD	300RPM	10 Million Revs	Gold-Gold

Lead Wires Color Code

Ring	1	2	3	4	5	6	7	8	9	10	11	12
Color	BLK	RED	YEL	GRN	BLU	WHT	BLK	RED	YEL	GRN	BLU	WHT

(6 wires for 1 group color, from 7-12, repeat the same color as 1...6, indicated with number code pipe).

Options for custom slip ring

Note: The following special requirements can be customized, lead time will increase 3 ~ 15 days, cost increased 5% ~ 50%, most of basic parts have standardized, modular, customized also can greatly reduce the cost and lead time.

- 1) Can be customized for different bore size.
- 2) Can be customized for different circuits.
- 3) Can add housing for protection