

MR1650 Slip Rings

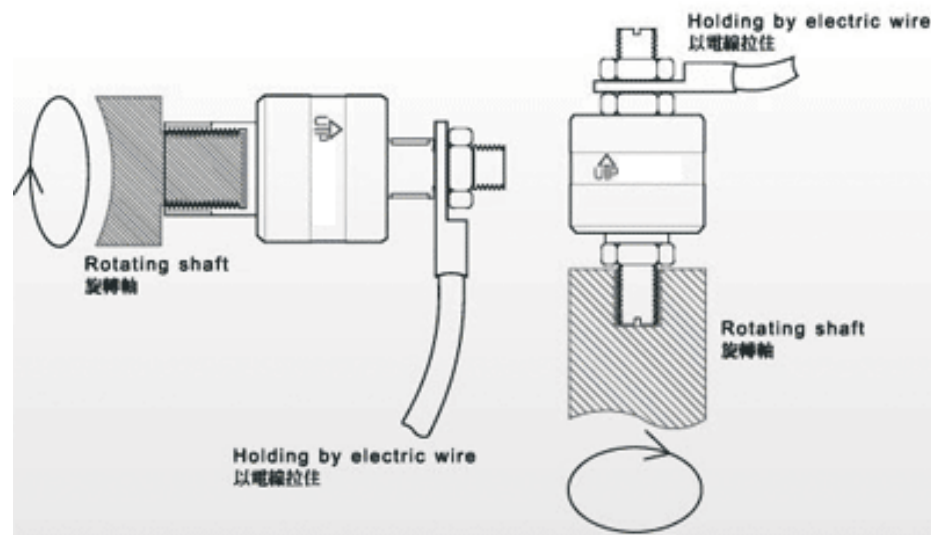
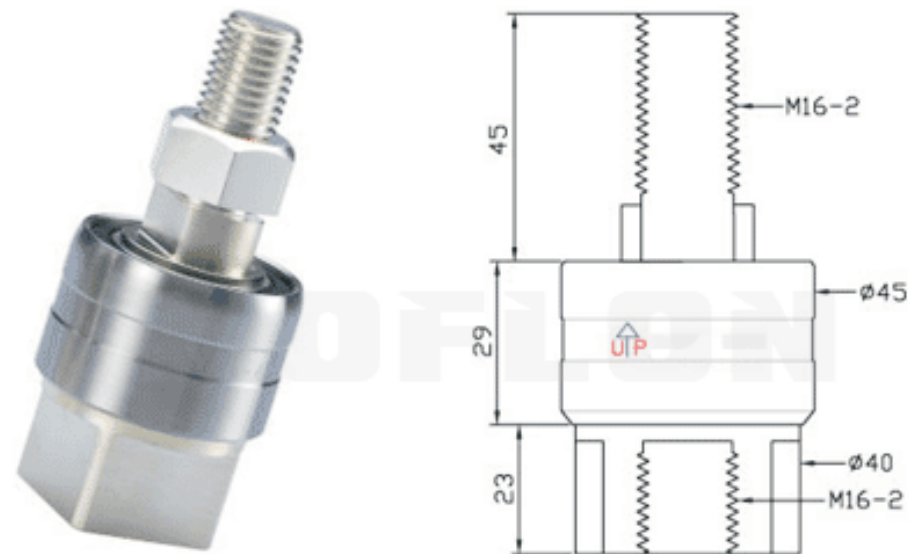
MR1650 slip rings are insertion plug-type slip rings, Conducted by Mercury, are standard, off-the-shelf slip rings, available in stock.

- ▶ Anti-jamming, Brushless.
- ▶ Longer working life.
- ▶ < 1mOhm contact resistance
- ▶ More durable than traditional slip rings
- ▶ Much higher rotating speed

Specifications

PART #	CURRENTA	VOLTAGE (VAC/VDC)	MAX FREQ (MHZ)	MAX SPEED RPM	TORQUE (N.M)	NOISE (MΩ)	TEMP. (°C)
MR1650	650A each @ 1pole	-	100Mhz	200RPM	1N.m	<1mΩ	60/-30

Part# MR110 Dimensions and Mounting



MR11500 Slip Rings

MR11500 slip rings are insertion plug-type slip rings, Conducted by Mercury, are standard, off-the-shelf slip rings, available in stock.

- ▶ Anti-jamming, Brushless.
- ▶ Longer working life.
- ▶ < 1mOhm contact resistance
- ▶ More durable than traditional slip rings
- ▶ Much higher rotating speed

Specifications

PART #	CURRENTA	VOLTAGE (VAC/VDC)	MAX FREQ (MHZ)	MAX SPEED RPM	TORQUE (N.M)	NOISE (MΩ)	TEMP. (°C)
MR11500	1500A each @ 1pole	-	100Mhz	200RPM	1N.m	<1mΩ	60/-30

Part# MR110 Dimensions and Mounting

