

## MR304 Slip Rings

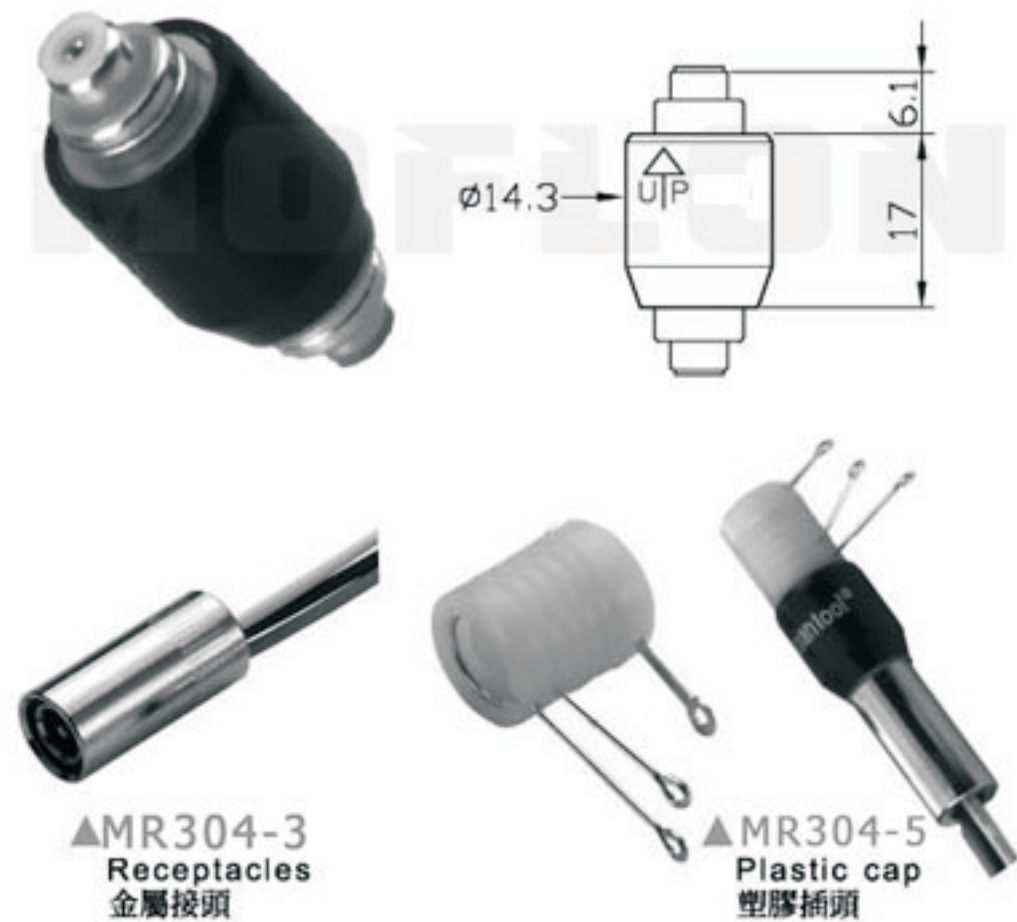
MR304 slip rings are insertion plug-type slip rings, Conducted by Mercury, are standard, off-the-shelf slip rings, available in stock.

- ▶ Anti-jamming, Brushless.
- ▶ Longer working life.
- ▶ < 1mOhm contact resistance
- ▶ More durable than traditional slip rings
- ▶ Much higher rotating speed

### Specifications

PART #	CURRENTA	VOLTAGE (VAC/VDC)	MAX FREQ (MHZ)	MAX SPEED RPM	TORQUE (N.M)	NOISE (MΩ)	TEMP. (°C)
MR304	4A each @ 3poles	-	100Mhz	1800RPM	0.1N.m	<1mΩ	60/-30

### Part# MR110 Dimensions and Mounting



## MR330 Slip Rings

MR330 slip rings are insertion plug-type slip rings, Conducted by Mercury, are standard, off-the-shelf slip rings, available in stock.

- ▶ Anti-jamming, Brushless.
- ▶ Longer working life.
- ▶ < 1mOhm contact resistance
- ▶ More durable than traditional slip rings
- ▶ Much higher rotating speed

### Specifications

PART #	CURRENTA	VOLTAGE (VAC/VDC)	MAX FREQ (MHZ)	MAX SPEED RPM	TORQUE (N.M)	NOISE (MΩ)	TEMP. (°C)
MR330	30A each @ 3pole	-	100Mhz	1800RPM	0.1N.m	<1mΩ	60/-30

### Part# MR110 Dimensions and Mounting

