

MR304 Slip Rings

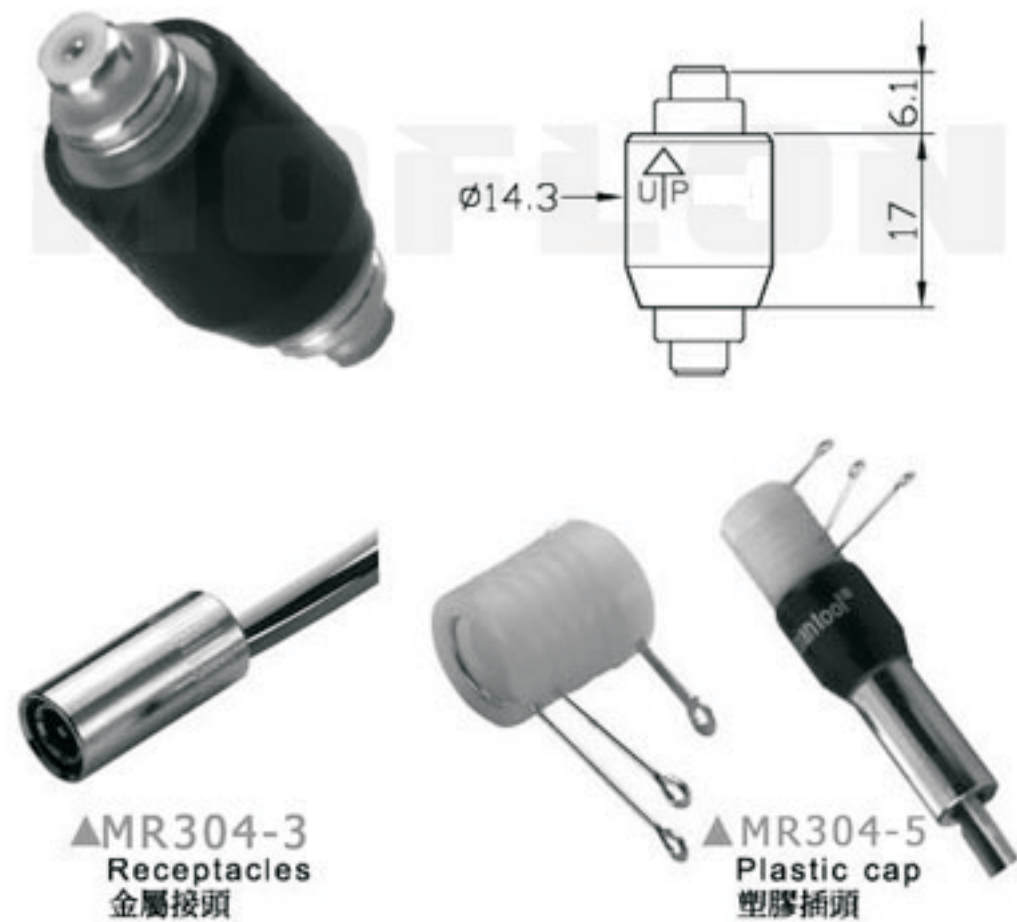
MR304 slip rings are insertion plug-type slip rings, Conducted by Mercury, are standard, off-the-shelf slip rings, available in stock.

- ▶ Anti-jamming, Brushless.
- ▶ Longer working life.
- ▶ < 1mOhm contact resistance
- ▶ More durable than traditional slip rings
- ▶ Much higher rotating speed

Specifications

| PART # | CURRENTA | VOLTAGE (VAC/VDC) | MAX FREQ (MHZ) | MAX SPEED RPM | TORQUE (N.M) | NOISE (MΩ) | TEMP. (°C) |
|--------|------------------|-------------------|----------------|---------------|--------------|------------|------------|
| MR304 | 4A each @ 3poles | - | 100Mhz | 1800RPM | 0.1N.m | <1mΩ | 60/-30 |

Part# MR110 Dimensions and Mounting



MR330 Slip Rings

MR330 slip rings are insertion plug-type slip rings, Conducted by Mercury, are standard, off-the-shelf slip rings, available in stock.

- ▶ Anti-jamming, Brushless.
- ▶ Longer working life.
- ▶ < 1mOhm contact resistance
- ▶ More durable than traditional slip rings
- ▶ Much higher rotating speed

Specifications

| PART # | CURRENTA | VOLTAGE (VAC/VDC) | MAX FREQ (MHZ) | MAX SPEED RPM | TORQUE (N.M) | NOISE (MΩ) | TEMP. (°C) |
|--------|------------------|-------------------|----------------|---------------|--------------|------------|------------|
| MR330 | 30A each @ 3pole | - | 100Mhz | 1800RPM | 0.1N.m | <1mΩ | 60/-30 |

Part# MR110 Dimensions and Mounting

