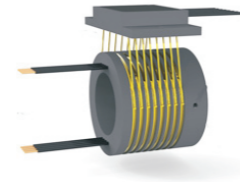


MSP250 Series

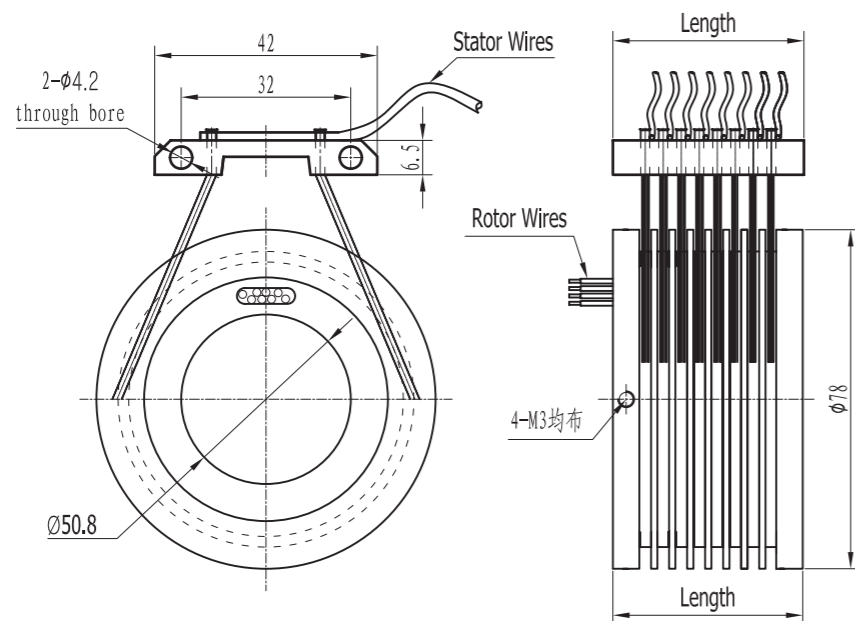
Through bore 50.8mm(2"),Max OD: 78mm

MSP250 slip rings are separated slip ring, with through bore 50.8mm, special designed for limited install space installation, standard, off-the-shelf, Color-coded lead wires are used on both the stator and rotor for simplified electrical connections.



Specifications			
Circuits	2~24(see next page)	Current	Signal(2A),10A,Multiple 10A
Voltage	600 VDC/VAC	Max speed	300RPM
Working life	depends on working speed	Contact material	Precious Metal:Gold-Gold
Electrical noise	<10 milliohms	Contact Resistance	<20mOhm
Dielectric strength	800VDC@50Hz	Lead Wire	UL Teflon® Awg22,Awg16
Insulation resistance	1000MΩ@600VDC	Lead Lengths	300mm(12")
Operating Temp.	-40°C to 80°C	Protection	Ip41
Mechanical vibratio	MIL-SID-810E	Humidity	10% to 85% RH
Materials	Lead Free,RoHS compliant	Certified	YES

Drawings



Parts List

***Please note: 10A rings parallel can be used as multiple 10A current.
For Example: 2 rings parallel could be used as 1 wires 20A**

MSP25002 (Length=36mm)					
Parts#	Power 10A	signal/2A	Parts#	Power 10A	signal/2A
MSP25002-0200	2	0	MSP25002-0002	0	2

MSP25003 (Length=39.8mm)					
Parts#	Power 10A	signal/2A	Parts#	Power 10A	signal/2A
MSP25003-0300	3	0	MSP25003-0003	0	3
MSP25003-0102	1	2	MSP25003-0201	2	1

MSP25006 (Length=51mm)					
Parts#	Power 10A	signal/2A	Parts#	Power 10A	signal/2A
MSP25006-0600	6	0	MSP25006-0006	0	6
MSP25006-0204	2	4	MSP25006-0402	4	2

MSP25012 (Length=74mm)					
Parts#	Power 10A	signal/2A	Parts#	Power 10A	signal/2A
MSP25012-1200	12	0	MSP25012-0012	0	12
MSP25012-0210	2	10	MSP25012-0408	4	8
MSP25012-0606	6	6	MSP25012-0804	8	4
MSP25012-1002	10	2			

MSP25018 (Length=96.8mm)					
Parts#	Power 10A	signal/2A	Parts#	Power 10A	signal/2A
MSP25018-1800	18	0	MSP25018-0018	0	18
MSP25018-0216	2	16	MSP25018-0414	4	14
MSP25018-0612	6	12	MSP25018-0810	8	10
MSP25018-1008	10	8	MSP25018-1206	12	6
MSP25018-1404	14	4	MSP25018-1602	16	2

MSP25024 (Length=119.5mm)					
Parts#	Power 10A	signal/2A	Parts#	Power 10A	signal/2A
MSP25024-2400	24	0	MSP25024-0024	0	24
MSP25024-0618	6	18	MSP25024-1212	12	12
MSP25024-1806	18	6			