

MW1308 Slip Rings

OD 22mm(0.87") * Length 26mm(1.02"), 3Wires * 8A

MW1308 slip rings are small and compact with OD 22mm * L 26mm, standard, off-the-shelf. Color-coded lead wires are used on both the stator and rotor for simplified electrical connections. Using a 90° V-groove ring design for each ring.

MW13089 is the high-end version corresponding to MW1308, See difference in table2.



Specifications

PART #	OD(MM)*LENGTH	8A	15A	30A	60A	TOTAL WIRES
MW1308	22MM*26MM	3	0	0	0	3

MW1308 Specifications

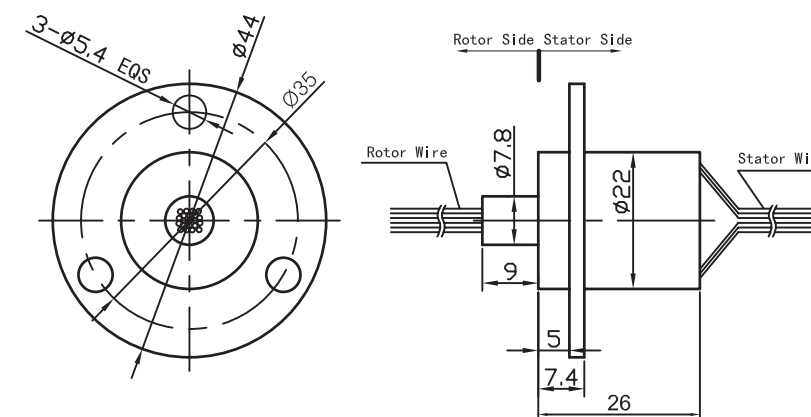
Wires	3	Current	8A
Voltage	400 VDC/VAC	Max speed	250RPM
Overall diameter	22mm(0.87")	Length	26mm(1.02")
Contact Material	Precious Metal:gold-gold	Contact Resistance	<100mOhm(AWG16#,250mm)
Housing Material	Plastics	Torque	0.06N.m
Working life	40million	Electrical noise	<10mΩ
Rating voltage	400VDC/VAC	Contact material	Precious Metal:Gold-Gold
Dielectric strength	600VDC@50Hz	Lead Wire	UL Teflon® Awg16
Insulation resistance	1000MΩ@500VDC	Lead Lengths	250mm
Operating Temp.	-40°C to 80°C	Protection	IP51
Mechanical vibration	MIL-SID-810E	Humidity	10% to 90% RH
Materials	Lead Free,RoHS compliant	CE Certified	YES

Notes:

- 1)The operational life of the unit is dependent upon rotational speed, environment and temperature.
- 2)Lead Wire size: 8A -> AWG16, 15A -> AWG16, 30A -> AWG12 colored code.
- 3)Electrical noise is dependent upon the rotating speed and current, voltage.

	Max Spee	Working life (revolutions)	Torque	Housing Material	Electrical noise ^③
MW1308	250RPM	40million	0.06N·m	Plastics	10mΩ
Mw13089	1000million	80million	0.01N·m	Metal	4mΩ

Drawings



MW1308

Lead wire Color codes

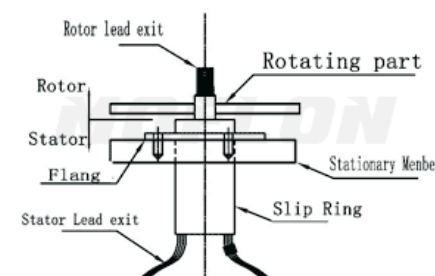
Rings#	Color Code				
1	RED				
2	BLK				
3	YELLOW				

Options

- MW13089 is the high-end version corresponding to MW1308.
- Optional flange mounting.
- Specified connectors and Heat-shrink tube.
- Longer lead lengths available.
- High temperature is optional.
- Military Grade

How to install?

picture A



picture B

