

MZ120 Series

Body Diameter 120mm, Rotor Flange Mounting

MZ120 series provides flange for rotor installation or end of shaft for installation, and a compact 120mm body diameter, features long life, fiber brush contact technology for ultimate performance in many challenging applications.

MZ120 series can support shielding wires on request, and shield rings inside, special for encoder signal and servo motor control signal



Specifications

Circuits	1~96(see next page)	Current	Signal(2A),10A/Rings
Voltage	600 VDC/VAC	Max speed	1000RPM

Housing Material	Aluminium Alloy	Torque	0.15N/m for 6rings, additional 6rings +0.03N/m
Working life	> 120million revolutions	Contact material	Precious Metal:Gold-Gold
Electrical noise	<5 mOhm	Contact Resistance	<3mOhm
Dielectric strength	800VDC@50Hz	Lead Wire	UL Teflon® Awg22,Awg16
Insulation resistance	1000MΩ@600VDC	Lead Lengths	300mm(12")
Operating Temp.	-40°C to 80°C	Protection	IP51
Mechanical vibratio	MIL-SID-810E	Humidity	10% to 85% RH
Materials	Lead Free,RoHS compliant	Certified	YES

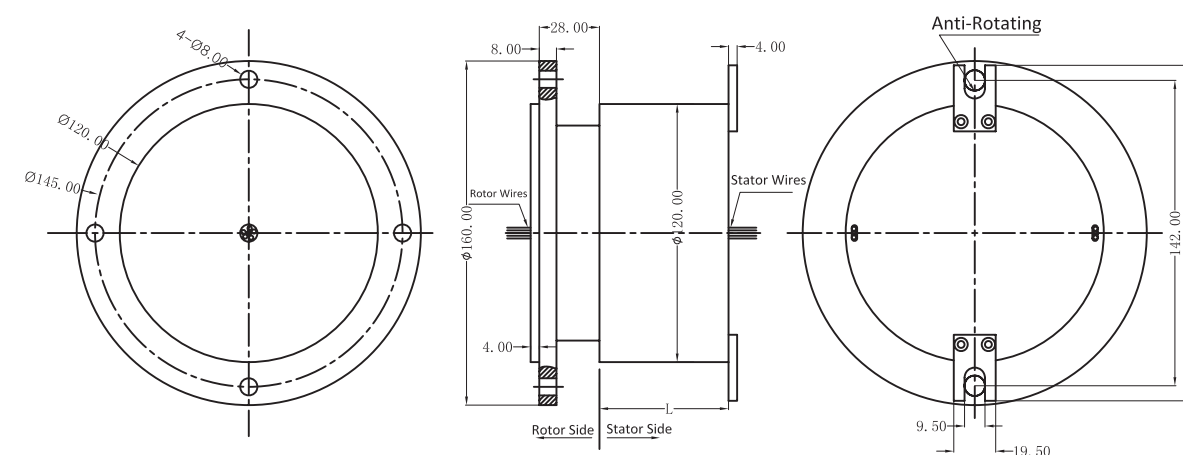
Lead wire Color codes

Rings#	Color Code	Rings#	Color Code	Rings#	Color Code
1	BLK	5	YEL	9	GRY
2	BRN	6	GRN	10	WHT
3	RED	7	BLU	11	PINK
4	ORN	8	PURPLE	12	AZURY

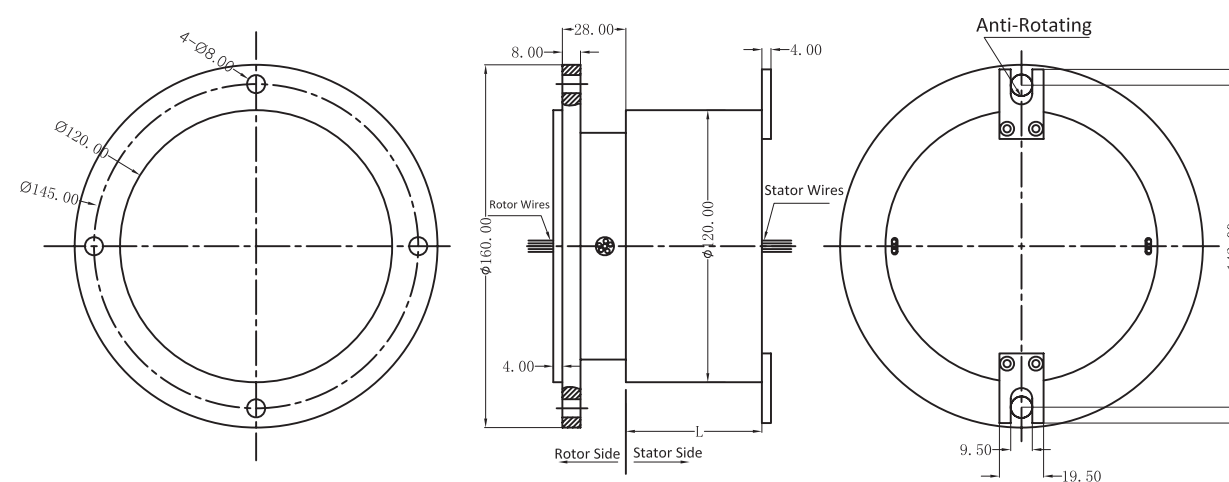
12 wires for one group color. from 13 ... 24, repeat the same color as 1 ... 12, Color Groups are indicated with number code pipe.

Drawings

Standard drawings:



Optional rotor wires exit(FL01):



MZ120 - MZ SERIES

MZ120 - MZ SERIES

Parts List

*Please note: 10A rings parallel can be used as multiple 10A current.
For Example: 2 rings parallel could be used as 1 wires 20A

MZ12006 (Length=59mm)					
Parts#	Power 10A	signal/2A	Parts#	Power 10A	signal/2A
MZ12006-0600	6	0	MZ12006-0006	0	6
MZ12006-0204	2	4	MZ12006-0402	4	2

MZ12012 (Length=82mm)					
Parts#	Power 10A	signal/2A	Parts#	Power 10A	signal/2A
MZ12012-1200	12	0	MZ12012-0012	0	12
MZ12012-0210	2	10	MZ12012-0408	4	8
MZ12012-0606	6	6	MZ12012-0804	8	4
MZ12012-1002	10	2			

MZ12018 (Length=104.8mm)					
Parts#	Power 10A	signal/2A	Parts#	Power 10A	signal/2A
MZ12018-1800	18	0	MZ12018-0018	0	18
MZ12018-0216	2	16	MZ12018-0414	4	14
MZ12018-0612	6	12	MZ12018-0810	8	10
MZ12018-1008	10	8	MZ12018-1206	12	6
MZ12018-1404	14	4	MZ12018-1602	16	2

MZ12024 (Length=127.5mm)					
Parts#	Power 10A	signal/2A	Parts#	Power 10A	signal/2A
MZ12024-2400	24	0	MZ12024-0024	0	24
MZ12024-0618	6	18	MZ12024-1212	12	12
MZ12024-1806	18	6			

MZ12030 (Length=150.4mm)					
Parts#	Power 10A	signal/2A	Parts#	Power 10A	signal/2A
MZ12030-3000	30	0	MZ12030-0030	0	30
MZ12030-0624	6	24	MZ12030-1218	12	18
MZ12030-1812	18	12	MZ12030-2406	24	6

MZ12036 (Length=173mm)					
Parts#	Power 10A	signal/2A	Parts#	Power 10A	signal/2A
MZ12036-3600	36	0	MZ12036-0036	0	36
MZ12036-0630	6	30	MZ12036-1224	12	24
MZ12036-1818	18	18	MZ12036-2412	24	12
MZ12036-3006	30	6			

MZ12042 (Length=196mm)					
Parts#	Power 10A	signal/2A	Parts#	Power 10A	signal/2A
MZ12042-4200	42	0	MZ12042-0042	0	42
MZ12042-0636	6	36	MZ12042-1230	12	30
MZ12042-1824	18	24	MZ12042-2418	24	18
MZ12042-3012	30	12	MZ12042-3606	36	6

MZ12048 (Length=218.8mm)					
Parts#	Power 10A	signal/2A	Parts#	Power 10A	signal/2A
MZ12048-4800	48	0	MZ12048-0048	0	48
MZ12048-0642	6	42	MZ12048-1236	12	36
MZ12048-1830	18	30	MZ12048-2424	24	24
MZ12048-3018	30	18	MZ12048-3612	36	12
MZ12048-4206	42	6			

MZ12056 (Length=249mm)					
Parts#	Power 10A	signal/2A	Parts#	Power 10A	signal/2A
MZ12056-5600	56	0	MZ12056-0056	0	56
MZ12056-0650	6	50	MZ12056-1244	12	44
MZ12056-1838	18	38	MZ12056-2432	24	32
MZ12056-3620	36	20	MZ12056-4808	48	8

MZ12072 (Length=310mm)					
Parts#	Power 10A	signal/2A	Parts#	Power 10A	signal/2A
MZ12072-7200	72	0	MZ12072-0072	0	72
MZ12072-1260	12	60	MZ12072-2448	24	48
MZ12072-3042	30	42	MZ12072-3636	36	36
MZ12072-4824	48	24	MZ12072-6012	60	12

MZ12096 (Length=401mm)					
Parts#	Power 10A	signal/2A	Parts#	Power 10A	signal/2A
MZ12096-9600	96	0	MZ12096-0096	0	96
MZ12096-1284	12	84	MZ12096-2472	24	72
MZ12096-3660	36	60	MZ12096-4848	48	48
MZ12096-6036	60	36	MZ12096-7224	72	24

*Please note: 10A rings parallel can be used as multiple 10A current.
For Example: 2 rings parallel could be used as 1 wires 20A