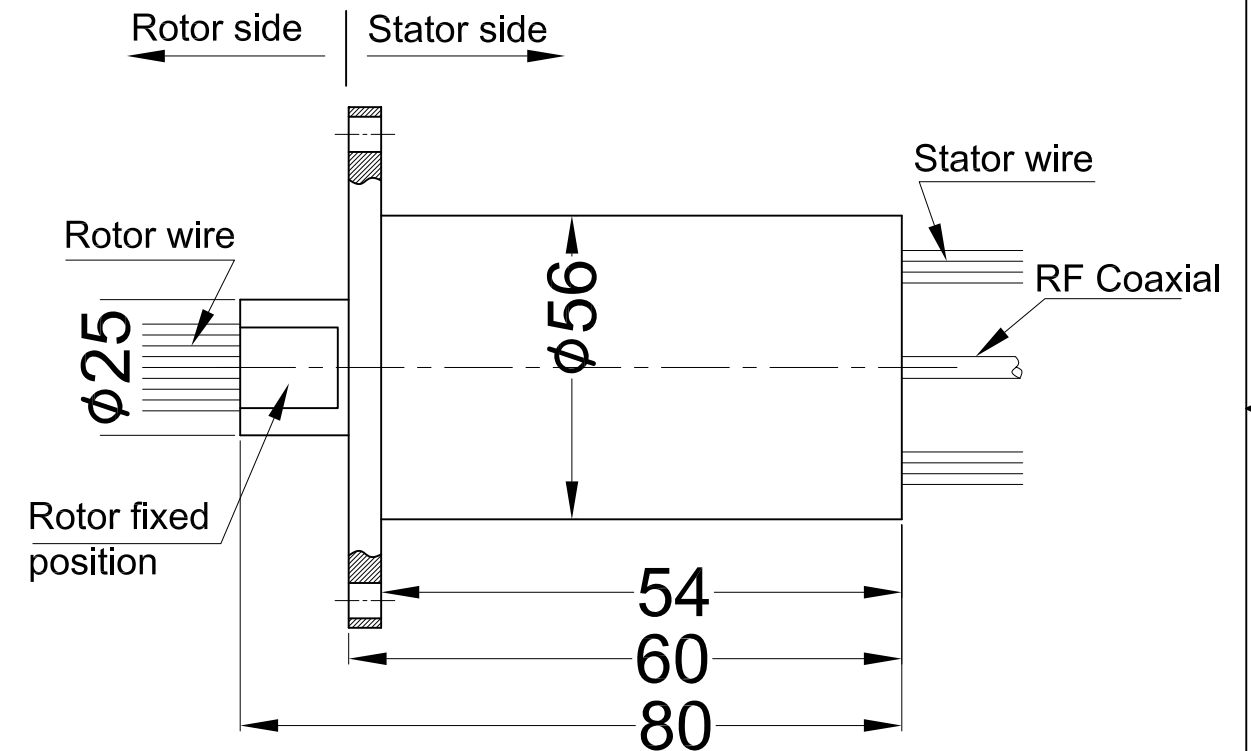
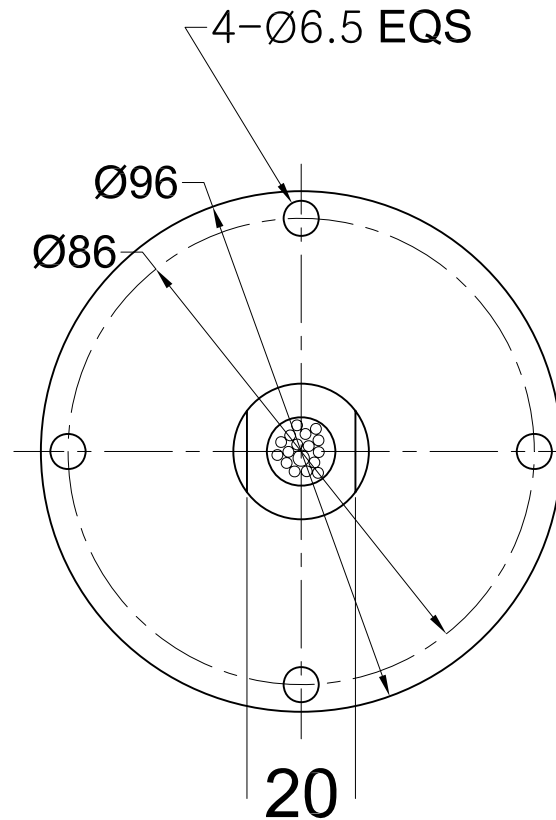


THIS DOCUMENT IS THE PROPERTY OF MOFLON TECHNOLOGY (SHENZHEN) LTD. (HEREAFTER "MOFLON"). IT IS LENT AND IS TO BE RETURNED UPON REQUEST. THE CONTENTS OF THIS DOCUMENT ARE CONFIDENTIAL AND CONSTITUTE TRADE SECRETS PROPRIETARY TO MOFLON. THIS DOCUMENT NOR ITS CONTENTS DOCUMENT NOR ITS CONTENTS SHALL BE DISCLOSED TO ANY UNAUTHORIZED PERSON COPIED OR PUBLISHED WITHOUT MOFLON PRIOR WRITTEN CONSENT.  
COPY RIGHT @ 2013 MOFLON TECHNOLOGY

MARK	ECN NO.	Modify	Approve	DATE

Electrical Parameter	Lead Wire Length	Stator: 300mm Rotor: 300mm
	Lead Wire Size	Coaxial + AWG 22# Teflon->2A
	Rating Voltage	240VDC/VAC
	Circuits & Current	1 channel RF Rotary joints +12circuits*2A(signal)
	Dielectric Strength	≥1000V@50Hz between each circuit
	Insulation Resistance	500MΩ@1000VDC
	Electric Noise	Max 10mΩ@6VDC,50mA (Runing with 250rpm)
Mechanical Parameter	Bearing	Steel bearing
	Working Speed	60RPM
	Inner Diameter	Solid
	Inner Material	Engineering plastic
Other	Contacting Material	Precious Metal + Glod Plating
	Housing Material	Aluminum Alloy
	Protection (IP Grade)	IP54
Working Temperature	-40°C+80°C	



**Lead Wire Color Codes**  
12 wires for one group color. Group Seq Is Indicated with number code plpe.

Rings#	Color Code	Rings#	Color Code	Rings#	Color Code
1	BLK	5	YEL	9	GRY
2	BRN	6	GRN	10	WHT
3	RED	7	BLU	11	PINK
4	ORN	8	PURPLE	12	AZURY

### RF Rotary Joints Specifications

Frequency 0-18Ghz Insertion loss 0.3dB  
 Insertion loss ripple 0.05dB VSWR ≤1.3  
 VSWR ripple 0.05 Start up torque 0.1N/m  
 Estimated life cycle 100 million Housing materia Stainless steel

TITLE	Outline	UNIT	mm	1 channel RF Rotary joints +12circuits*2A(signal)			
MODEL	MHF108-S12	SCALE	1:1	DESIGN	DATE		
<b>MOFLON</b>				CHECKED	DATE		
				PROJ.	⊕	REV.	A/0