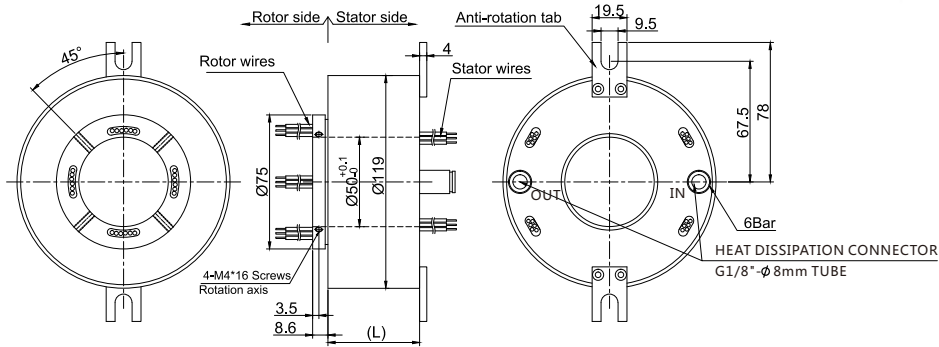


# GHS50119 Series

GHS50119 series is a rotary electrical connector(rotary electrical joint) with bore size 12.7mm, OD 33mm, support 2~12 circuits.  
 High speed slip ring with bore size 12.7mm(1/2" ,used for <=12.7mm),OD 33mm.\*Attention : if required through bore <12.7mm , this can be resolved by adding a sleeve inside the bore.



## Part# Explanation

### GHS 50119 P 06 10-S 06



## Part# List

GHS50119 Series Parts# List							
Part#	10A	Signal or 5A	Length-L (mm)	Part#	10A	Signal or 5A	Length-L (mm)
GHS50119-S06	0	06	58.6	GHS50119-P1810-S12	18	12	154.8
GHS50119-P0210-S04	02	04	58.6	GHS50119-P2410-S06	24	06	154.8
GHS50119-P0410-S02	04	02	58.6	GHS50119-P3010	30	0	154.8
GHS50119-P0610	06	0	58.6	GHS50119-S36	0	36	177.6
GHS50119-S12	0	12	81.4	GHS50119-P0610-S30	06	30	177.6
GHS50119-P0210-S10	02	10	81.4	GHS50119-P1210-S24	12	24	177.6
GHS50119-P0410-S08	04	08	81.4	GHS50119-P1810-S18	18	18	177.6
GHS50119-P0610-S06	06	06	81.4	GHS50119-P2410-S12	24	12	177.6
GHS50119-P0810-S04	08	04	81.4	GHS50119-P3610	36	0	177.6
GHS50119-P1010-S02	10	02	81.4	GHS50119-S48	0	48	223.2
GHS50119-P1210	12	0	81.4	GHS50119-P0610-S42	06	42	223.2
GHS50119-S18	0	18	104.2	GHS50119-P1210-S36	12	36	223.2
GHS50119-P0210-S16	02	16	104.2	GHS50119-P1810-S30	18	30	223.2
GHS50119-P0410-S14	04	14	104.2	GHS50119-P2410-S24	24	24	223.2
GHS50119-P0610-S12	06	12	104.2	GHS50119-S60	0	60	273.8
GHS50119-P0810-S10	08	10	104.2	GHS50119-P0610-S54	06	54	273.8
GHS50119-P1010-S08	10	08	104.2	GHS50119-P1210-S48	12	48	273.8
GHS50119-P1210-S06	12	06	104.2	GHS50119-P1810-S42	18	42	273.8
GHS50119-P1410-S04	14	04	104.2	GHS50119-P2410-S36	24	36	273.8
GHS50119-P1610-S02	16	02	104.2	GHS50119-S72	0	72	319.4
GHS50119-S24	0	24	127	GHS50119-P0610-S66	06	66	319.4
GHS50119-P1610-S18	06	18	127	GHS50119-P1210-S60	12	60	319.4
GHS50119-P1210-S12	12	12	127	GHS50119-P2410-S48	24	48	319.4
GHS50119-P0810-S06	18	06	127	GHS50119-P3610-S36	36	36	319.4
GHS50119-P2410	24	0	127	GHS50119-S84	0	84	368
GHS50119-S30	0	30	154.8	GHS50119-P1210-S72	12	72	368

Note: N channels 10A rings parallel can be used as 1 channel N\*10A current. For example: 2 rings 10A parallel could be used as 1 wires 20A. 10A,5A (signal) can combine freely in any way.It can be customized based on standard slip ring,please contact customer service for more detmails.

## Specifications

Mechanical Data		Electrical Data		
Parameter	Value	Parameter	Value	
Working Life	300 million revs		Power	Signal
Rotating Speed	1~8000RPM	Rated Voltage	0~690VAC/VDC	0~440VAC/VDC
Working Temperature	-30°C~80°C	Insulation Resistance	≥1000MΩ/1000VDC	≥1000MΩ/500VDC
Operating Humidity	0~85% RH	Lead Wires	AWG16#Teflon	AWG22#Teflon
Contact Material	See Prod Quality Level	Lead LenGSH	Standard 300mm	
Housing Material	Aluminium Alloy	Insulation StrenGSH	500VAC@50Hz , 60s	
Torque	0.1N.m;+0.03/6ring	Electrical Noise	<0.03Ω	
Protection Grade	IP51			

## Lead Wires Color Code

Ring	1	2	3	4	5	6	7	8	9	10	11	12
Color	BLK	RED	YEL	GRN	BLU	WHT	BLK	RED	YEL	GRN	BLU	WHT

(6 wires for 1 group color, from 7-12, repeat the same color as 1...6, indicated with number code pipe)

## Options For Custom Slip Ring

Note: Below special demands can be customized. According, the delivery date will be extended 3 to 15 days; also the cost will be increased 30% to 50%. Most of our basic parts are standard and modular, which can save the cost and lead time.

- ① Cable exit way and cable lenGSH can be customized for both rotor and stator.
- ② Because of the structure limitation, lenGSH/height/OD can be customized on your request.
- ③ Support current or signal up to 200 rings.
- ④ Aviation plug, terminal and heat-shrink tube are optional.
- ⑤ Hybrid slip ring for Yaskawa/Panasonic/Siemens servo control signal, power line and encoder line.
- ⑥ Support mixed high speed data transmission (including Ethernet, USB, RS232, RS485, Profibus, CanBUS, CANOPEN, DeviceNET, CC-LINK, ProfiNET, EtherCAT, etc.)
- ⑦ Can combine temperature control signal with thermocouple signal.
- ⑧ Special environment can be customized, such as quakeproof, high temperature, etc.
- ⑨ Hybrid Pneumatic/hydraulic and electric slip ring can be mixed.
- ⑩ High temperature can up to 500 degrees.
- ⑪ High pressure can up to 110KV
- ⑫ Rotating speed can up to 10000RPM
- ⑬ Maximum current can up to 5000 amperes.
- ⑭ Military grade
- ⑮ Optional for underwater IP65, IP68.
- ⑯ Optional for stainless steel housing

Technical support: [technical@moflon.com](mailto:technical@moflon.com)