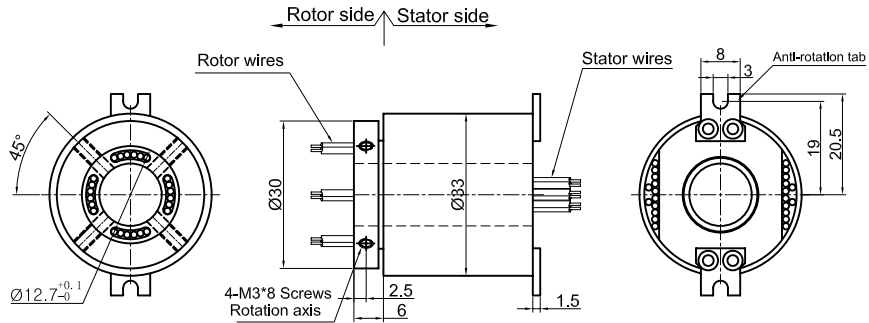
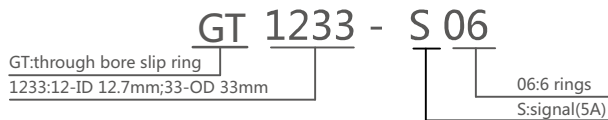


GT1233 Series

GT1233 series provides a 12.7mm through-bore for routing of hydraulic or pneumatic lines or hydraulic or pneumatic rotating shaft installation, and a compact 33mm outside diameter, features long life, fiber brush contact technology for ultimate performance in many challenging applications. GT1233 series are standard, off-the-shelf products, Color-coded lead wires are used on both the stator and rotor for simplified electrical connections. It can transmit signal(2A), 5A current when 360° degree free rotating.



Part# Explanation



GT1233 Series Parts# List		
Part#	Signal or 5A	Length-L (mm)
GT1233-S02	2	30.4
GT1233-S03	3	30.4
GT1233-S04	4	30.4
GT1233-S06	6	30.4
GT1233-S08	8	44.2
GT1233-S10	10	44.2
GT1233-S12	12	44.2
GT1233-S14	14	58
GT1233-S16	16	58
GT1233-S18	18	58
GT1233-S20	20	71.8
GT1233-S22	22	71.8
GT1233-S24	24	71.8

Note:N channels 5A rings parallel can be used as 1 channel N*5A current. For example: 2 rings 5A parallel could be used as 1 wires 10A If each circuit need to pass current over 5A, please contact customer service for more details.

Electrical Data		
Parameter	Value	
	Power	Signal
Rated Voltage	0~240VAC/VDC	0~240VAC/VDC
Insulation Resistance	$\geq 500M\Omega/500VDC$	$\geq 500M\Omega/500VDC$
Lead Wires	AWG22Teflon	AWG22#Teflon
Lead Length	Standard 300mm(adjustable)	
Insulation Strength	500VAC@50Hz , 60s	
Electrical Noise	<0.01 Ω	
Mechanical Data		
Parameter	Value	
Working Life	100 Million Revs	
Rotating Speed	1~1800RPM	
Working Temperature	-30°C~80°C	
Operating Humidity	0~85% RH	
Contact Material	Precious Metal	
Housing Material	Aluminium Alloy	
Torque	0.1N.m;+0.03N.m/6 rings	
Protection Grade	IP51	

Lead Wires Color Code

Ring	1	2	3	4	5	6	7	8	9	10	11	12
Color	BLK	RED	YEL	GRN	BLU	WHT	BLK	RED	YEL	GRN	BLU	WHT

(6 wires for 1 group color, from 7-12, repeat the same color as 1...6, indicated with number code pipe)