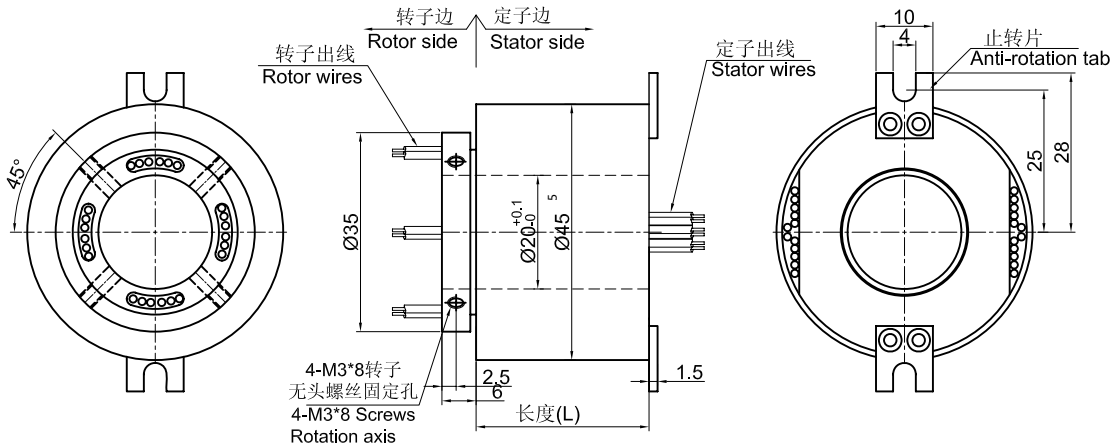


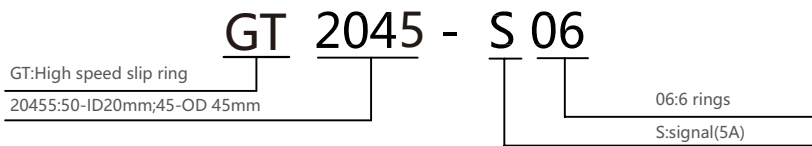
Gt2045Series

Compact, 45mm od through-hole diameter of 20mm (applicable to < = 20mm) standard series integral precision conductive slip ring.

*Note: if the inner hole less than 20 mm is needed, it can be solved by adding inner sleeve.



Part# Explanation



Part# List

Gt2045 Series Parts# List		
Part#	Signal/5A	Length-L (mm)
GT2045-S02	2	30.4
GT2045-S03	3	30.4
GT2045-S04	4	30.4
GT2045-S06	6	30.4
GT2045-S08	8	44.2
GT2045-S10	10	44.2
GT2045-S12	12	44.2
GT2045-S14	14	58
GT2045-S16	16	58
GT2045-S18	18	58
GT2045-S20	20	71.8
GT2045-S22	22	71.8
GT2045-S24	24	71.8

Note: N channels 10A rings parallel can be used as 1 channel N*10A current. For example: 2 rings 10A parallel could be used as 1 wires 20A.

10A, 5A (signal) can combine freely in any way. It can be customized based on standard slip ring, please contact customer service for more details.

Specifications

Electrical Data		
Parameter	Value	
	Power	Signal
Rated Voltage	0~240VAC/VDC	0~240VAC/VDC
Insulation Resistance	≥200MΩ/500VDC	≥300MΩ/500VDC
Lead Wires	AWG22Teflon	AWG22Teflon
Lead Length	Standard 300mm	
Dielectric Strength	200VAC@50Hz, 60s	
Electrical Noise	<0.03Ω	
Mechanical Data		
Parameter	Value	
Working Life	10 Million revs	
Rotating Speed	1~3000RPM	
Working Temperature	-30°C~80°C	
Operating Humidity	0~85% RH	
Contact Material	Gold-plated	
Housing Material	plastics	
Torque	0.05N.m; +0.02N.m/6rings	
Protection Grade	IP51	

Lead Wires Color Code

Ring	1	2	3	4	5	6	7	8	9	10	11	12
Code	BLK	RED	YLW	GRN	BLU	WHT	BLK	RED	YLW	GRN	BLU	WHT

Note: 6 wires for 1 group color, from 7-12, repeat the same color as 1...6, indicated with number code pipe.