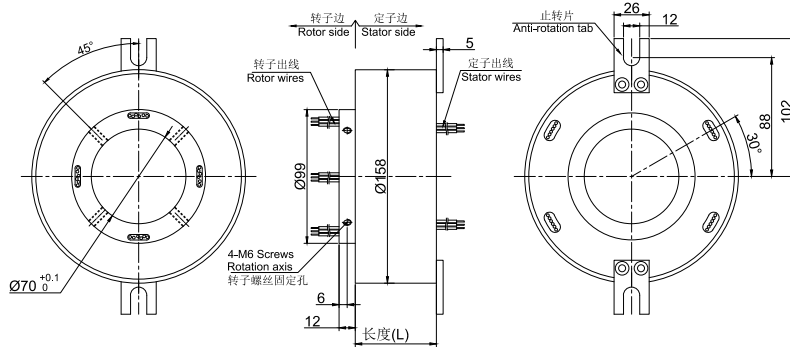


# GT70158 Series

Standard series of integral precision conductive slip rings with outer diameter of 158mm and through hole diameter of 70mm (applicable to  $\leq 70$ mm).

\*Note: if the inner hole of  $< 70$ mm is needed, it can be solved by adding inner sleeve.



## Part# Explanation

GT 70158 - P 06 10 - S 06

GT:High speed slip ring

70158:70-ID 70mm;158-OD 158mm

P:power ring

0610:06-6rings;10-rated 10A/ring

06:6 rings

S:signal(5A)

## Part# List

GT80158 Series Parts# List							
Part#	10A	Signal/5A	Length-L(mm)	Part#	10A	Signal/5A	Length-L(mm)
GT70158-S06	0	06	65.6	GT70158-P1810-S12	18	12	161.8
GT70158-P0210-S04	02	04	65.6	GT70158-P2410-S06	24	06	161.8
GT70158-P0410-S02	04	02	65.6	GT70158-P3010	30	0	161.8
GT70158-P0610	06	0	65.6	GT70158-S36	0	36	184.6
GT70158-S12	0	12	88.4	GT70158-P0610-S30	06	30	184.6
GT70158-P0210-S10	02	10	88.4	GT70158-P1210-S24	12	24	184.6
GT70158-P0410-S08	04	08	88.4	GT70158-P1810-S18	18	18	184.6
GT70158-P0610-S06	06	06	88.4	GT70158-P2410-S12	24	12	184.6
GT70158-P0810-S04	08	04	88.4	GT70158-P3610	36	0	184.6
GT70158-P1010-S02	10	02	88.4	GT70158-S48	0	48	230.2
GT70158-P1210	12	0	88.4	GT70158-P0610-S42	06	42	230.2
GT70158-S18	0	18	111.2	GT70158-P1210-S36	12	36	230.2
GT70158-P0210-S16	02	16	111.2	GT70158-P1810-S30	18	30	230.2
GT70158-P0410-S14	04	14	111.2	GT70158-P2410-S24	24	24	230.2
GT70158-P0610-S12	06	12	111.2	GT70158-S60	0	60	280.8
GT70158-P0810-S10	08	10	111.2	GT70158-P0610-S54	06	54	280.8
GT70158-P1010-S08	10	08	111.2	GT70158-P1210-S48	12	48	280.8
GT70158-P1210-S06	12	06	111.2	GT70158-P1810-S42	18	42	280.8
GT70158-P1410-S04	14	04	111.2	GT70158-P2410-S36	24	36	280.8
GT70158-P1610-S02	16	02	111.2	GT70158-S72	0	72	326.4
GT70158-S24	0	24	134	GT70158-P0610-S66	06	66	326.4
GT70158-P1610-S18	06	18	134	GT70158-P1210-S60	12	60	326.4
GT70158-P1210-S12	12	12	134	GT70158-P2410-S48	24	48	326.4
GT70158-P0810-S06	18	06	134	GT70158-P3610-S36	36	36	326.4
GT70158-P2410	24	0	134	GT70158-S84	0	84	375
GT70158-S30	0	30	161.8	GT70158-P1210-S72	12	72	375

Note: N channels 10A rings parallel can be used as 1 channel N\*10A current. For example: 2 rings 10A parallel could be used as 1 wires 20A.

10A,5A (signal) can combine freely in any way.It can be customized based on standard slip ring,please contact customer service for more details.

## Specifications

Electrical Data		
Parameter	Value	
	Power	Signal
Rated Voltage	0~690VAC/VDC	0~440VAC/VDC
Insulation Resistance	≥1000MΩ/500VDC	≥1000MΩ/500VDC
Lead Wires	AWG16#Teflon	AWG22#Teflon
Lead Length	standard 300mm(adjustable)	
Insulation Strength	1000VAC@50Hz, 60s	
Electrical Noise	<0.03Ω	
Mechanical Data		
Parameter	Value	
Working Life	100 Million revs	
Rotating Speed	1~1800RPM	
Working Temperature	-30°C~80°C / -45°C~80°C(Military-industrial options)	
Operating Humidity	0~85% RH / 0~97% RH(Military-industrial options)	
Contact Material	Precious Metal	
Housing Material	Aluminium Alloy	
Torque	0.1N.m; +0.03N.m/6路	
Protection Grade	IP51	

## Lead Wires Color Code

Ring	1	2	3	4	5	6	7	8	9	10	11	12
Color	BLK	RED	YLW	GRN	BLU	WHT	BLK	RED	YLW	GRN	BLU	WHT

(6 wires for 1 group color, from 7-12, repeat the same color as 1...6, indicated with number code pipe)

## Options for custom slip ring

Note: Below special demands can be customized. According, the delivery date will be extended 3 to 15 days; also the cost will be increased 30% to 50%. Most of our basic parts are standard and modular, which can save the cost and lead time.

- ① Cable exit way and cable length can be customized for both rotor and stator.
- ② Because of the structure limitation, length/height/OD can be customized on your request.
- ③ Support current or signal up to 200 rings.
- ④ Aviation plug, terminal and heat-shrink tube are optional.
- ⑤ Hybrid slip ring for Yaskawa/Panasonic/Siemens servo control signal, power line and encoder line.
- ⑥ Support mixed high speed data transmission (including Ethernet, USB, RS232, RS485, Profibus, CanBUS, CANOPEN, DeviceNET, CC-LINK, ProfiNET, EtherCAT, etc.)
- ⑦ Can combine temperature control signal with thermocouple signal.
- ⑧ Special environment can be customized, such as quakeproof, high temperature, etc.
- ⑨ Hybrid Pneumatic/hydraulic and electric slip ring can be mixed.
- ⑩ High temperature can up to 500 degrees.
- ⑪ High pressure can up to 110KV
- ⑫ Rotating speed can up to 10000RPM
- ⑬ Maximum current can up to 5000 amperes.
- ⑭ Military grade
- ⑮ Optional for underwater IP65, IP68.
- ⑯ Optional for stainless steel housing

Technical support: [technical@moflon.com](mailto:technical@moflon.com)