

K375 Series Special rotary joint for machine tool industry

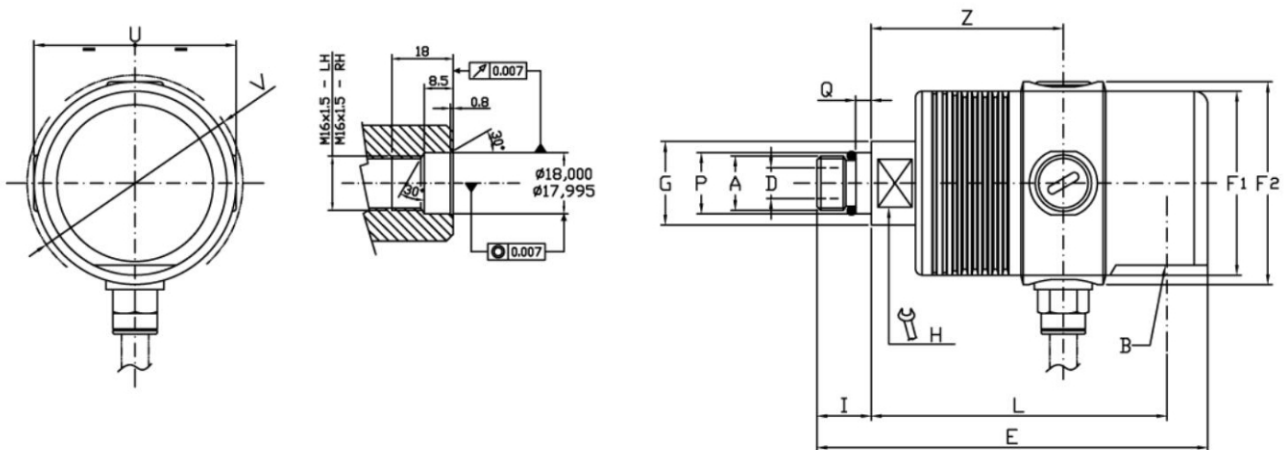


Applicable medium	Temperature	Max pressure	Max Rotary Speed
Coolant Series	90°C	100bar	20000RPM

Product Features

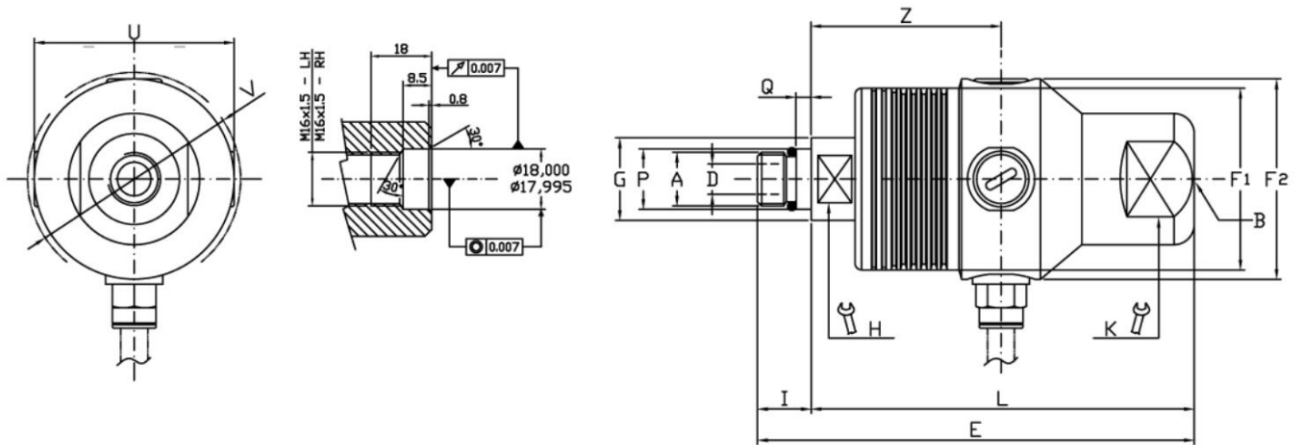
- ▲ Single channel for coolant;
- ▲ Full circulation design, without obstacles that accumulate chips or debris;
- ▲ Bearing support with threaded rotor for easy installation;
- ▲ Using labyrinth seals and large leakage ports to protect bearings;
- ▲ The balanced mechanical seal made of silicon carbide material can ensure a long service life even in harsh operating environments;
- ▲ Aluminum shell and end cover with anti-corrosion and anodizing.

Radial connection diagram



Radial connection																
Model	A	B	φD	E	φF1	φF2	φG	H	I	L	φP	Q	U	φV	Z	Kg
K375-08-1301-04R	M16x1.5RH	G1/4"	5	101	44	49	24.5	17	16	76	18	4.5	49	52	49	0.6
K375-08-1301-05L	M16x1.5LH															
K375-08-1301-04R	M16x1.5RH	G3/8"	9	115	54	59.5	24.5	17	16	87	18	4.5	59.5	63	56.5	0.8
K375-08-1301-04L	M16x1.5LH															

Axial connection diagram



Axial connection																	
Model	A	B	φD	E	φF1	φF2	φG	H	K	I	L	φP	Q	U	φV	Z	Kg
K375-08-1302-04R	M16x1.5RH	G1/4"	5	116	44	49	24.5	17	24	16	100	18	4.5	49	52	49	0.6
K375-08-1302-05L	M16x1.5LH																
K375-10-1302-04R	M16x1.5RH	G3/8"	9	130	54	59.5	24.5	17	24	16	114	18	4.5	59.5	63	56.5	0.8
K375-10-1302-04L	M16x1.5LH																