

KBC Series Rotary Joints

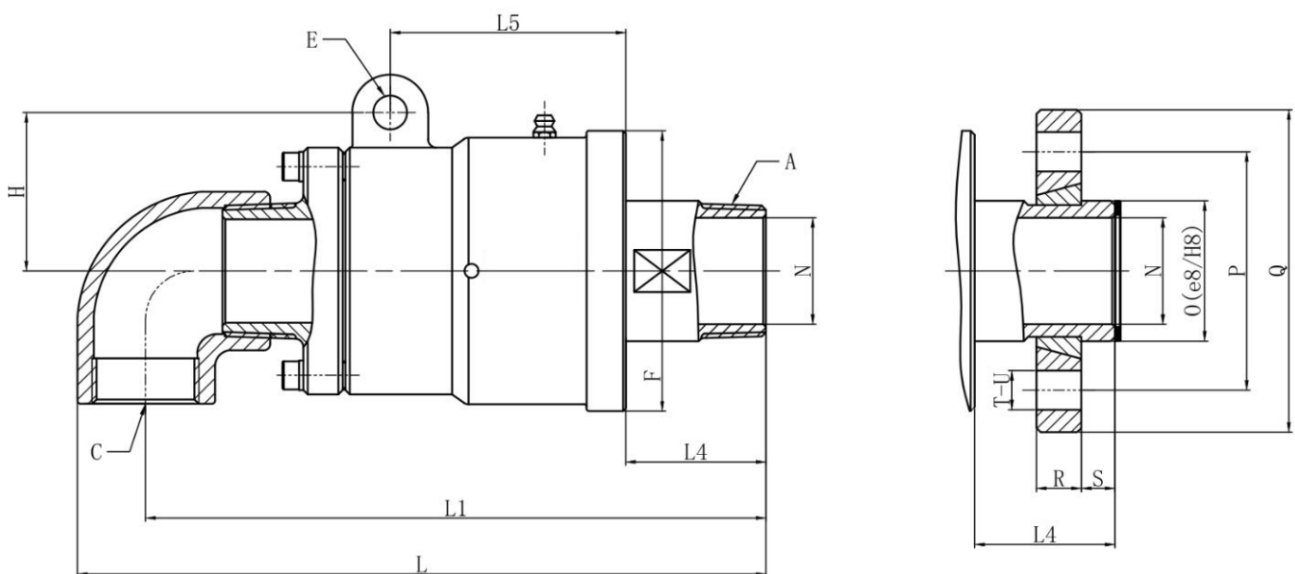


Applicable medium	Temperature	Max pressure	Max Rotary Speed
Water/Hot Water	90°C	1.1Mpa	2000RPM

Product Features

- ▲ Balanced seal design reduces the influence of pressure change load on the sealing surface and prolongs the service life;
- ▲ Combination of fine ceramic material and wear-resistant graphite sealing ring, with extremely excellent durability and performance;
- ▲ The split structure can be quickly repaired on site, because only the seal needs to be replaced, so the maintenance cost is greatly reduced.

KBC Series Single-Channel

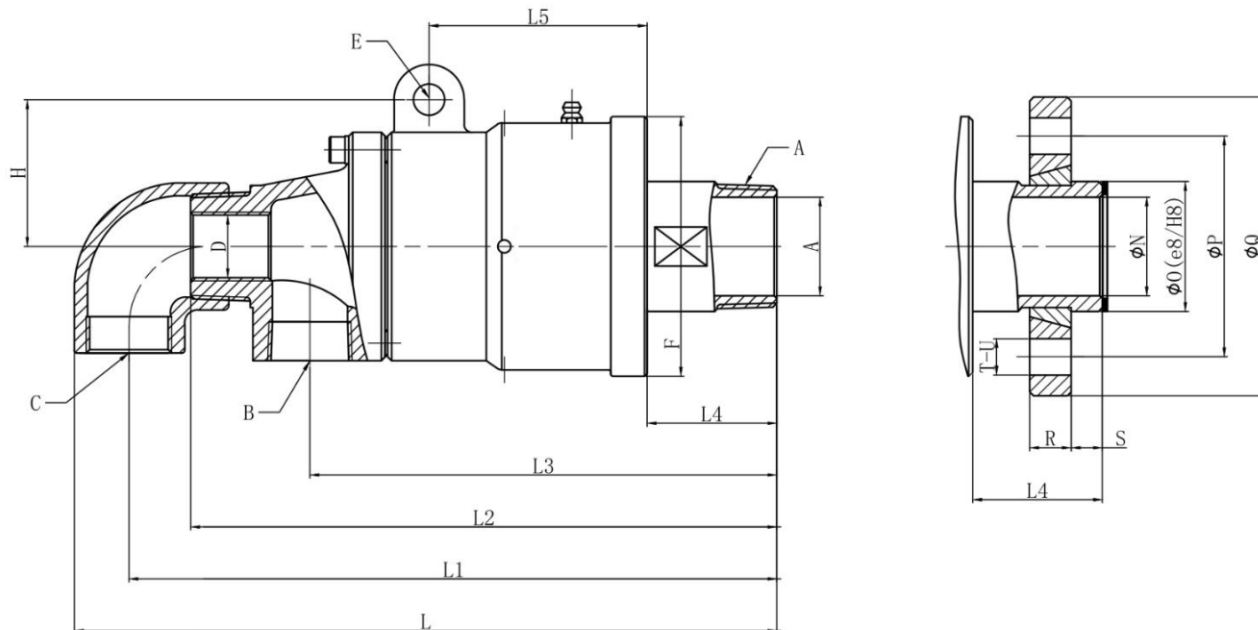


Single channel selection table

Standard size	A	B	E	L	L1	L4	L5	F	H	N	Flange rotor						
											O	P	Q	R	S	T-U	
015	1/2"	R1/2"	Rc1/2"	8	166	154	30	58	57	34	13	Φ25	Φ50	Φ70	14	8	4-Φ10
020	3/4"	R3/4"	Rc3/4"	8	179	164	34	60	62	37	18	Φ30	Φ55	Φ80	14	10	4-Φ12
025	1"	R1"	Rc1"	10	200	182	40	62	70	43	23	Φ35	Φ65	Φ90	14	10	4-Φ12
032	1-1/4"	R1-1/4"	Rc1-1/4"	12	232	209	45	71	83	51	30	Φ45	Φ75	Φ100	16	12	4-Φ14
040	1-1/2"	R1-1/2"	Rc1-1/2"	12	246	221	48	75	90	55	38	Φ50	Φ85	Φ115	16	12	4-Φ14
050	2"	R2"	Rc2"	18	304	272	62	95	112	74	48	Φ60	Φ95	Φ125	16	16	4-Φ14

If you need mounting holes for temperature sensors or pressure sensors, please contact sales

Two channel (fixed inner tube)



Two channel (inner tube fixed) model selection table

Standard size		A	B	C	D	E	L	L1	L2	L3	L4	L5	H	F	N	Flange rotor					
																O	P	Q	R	S	T-U
015	1/2"	R1/2"	Rc1/2"	Rc1/2"	G1/8"	8	187	174	157	124	30	58	34	57	13	Φ25	Φ50	Φ70	14	8	4-Φ10
020	3/4"	R3/4"	Rc1/2"	Rc1/2"	G1/4"	8	198	185	167	131	34	60	37	62	18	Φ30	Φ55	Φ80	14	10	4-Φ12
025	1"	R1"	Rc3/4"	Rc3/4"	G3/8"	10	220	207	187	145	40	62	43	70	23	Φ35	Φ65	Φ90	14	10	4-Φ12
032	1-1/4"	R1-1/4"	Rc1"	Rc1"	G1/2"	12	249	234	210	163	45	71	51	83	30	Φ45	Φ75	Φ100	16	12	4-Φ14
040	1-1/2"	R1-1/2"	Rc1"	Rc1"	G3/4"	12	263	245	219	170	48	75	55	90	38	Φ50	Φ85	Φ115	16	12	4-Φ14
050	2"	R2"	Rc1-1/4"	Rc1-1/4"	G1"	18	322	304	276	217	62	95	74	112	48	Φ60	Φ95	Φ125	16	16	4-Φ14
065	2-1/2"	R2-1/2"	Rc2"	Rc1-1/2"	G1-1/4"	20	375	349	312	246	75	107	83	127	58	Φ75	Φ110	Φ140	18	18	4-Φ14

The inner tube is prepared by the customer. To order an inner tube, please contact sales