

KK Series Rotary Joints

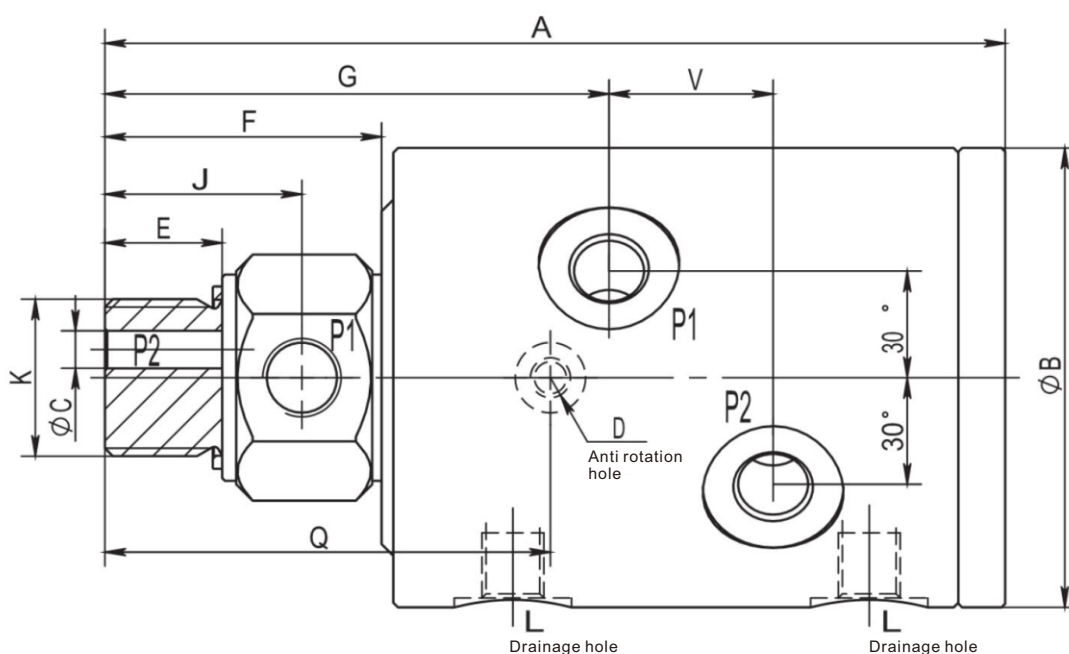


Applicable medium	Temperature	Max pressure	Max Rotary Speed
Hydraulic oil Series	-30°C~+80°C	30Mpa	6500R/min

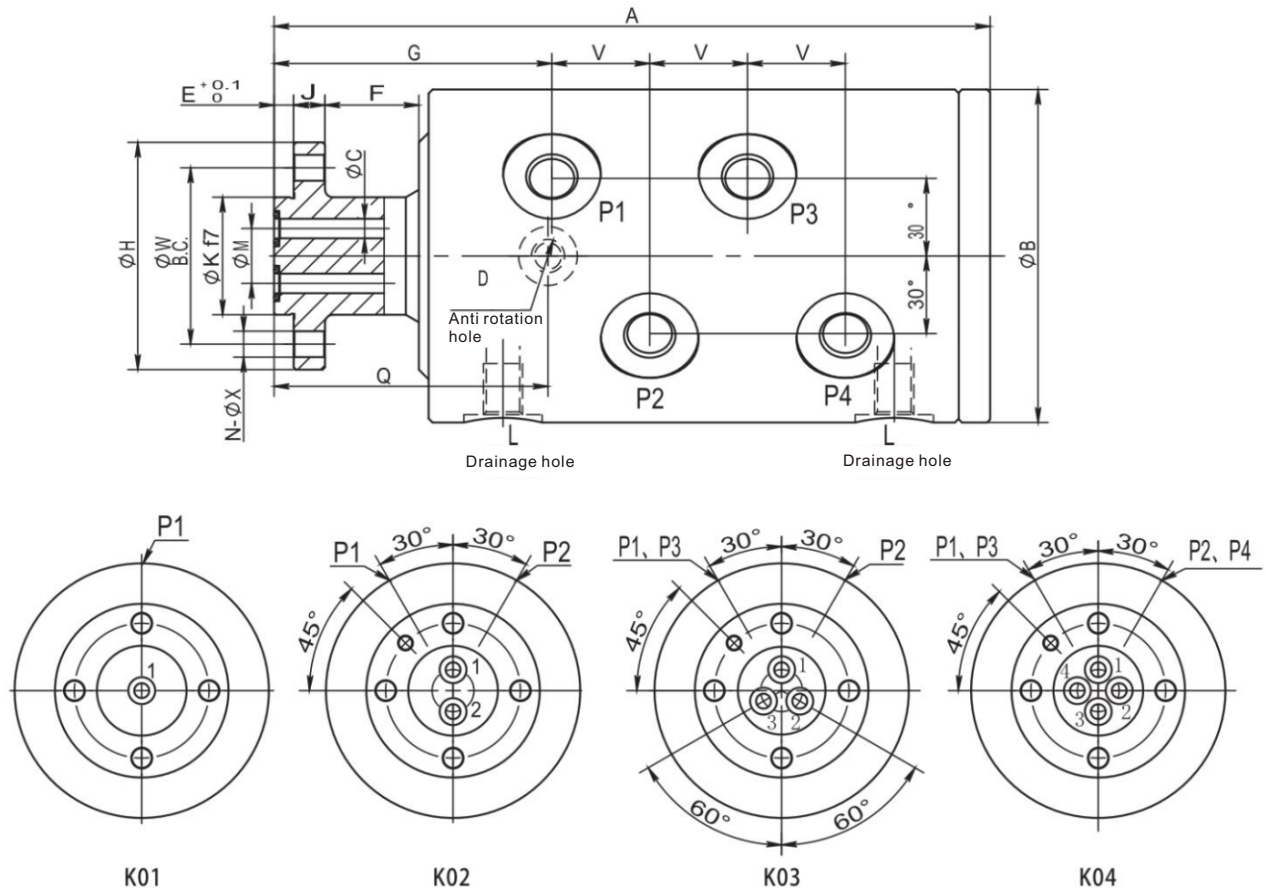
Product Features

- ▲ Two wide and high-precision bearings support smooth operation, and the bearings require no maintenance for life;
- ▲ High speed and high pressure gap sealing structure, without contact and wear of sealing rings, ensuring long-term trouble-free operation of the product;
- ▲ Lower rotational torque;
- ▲ Adopting hydraulic oil film structure, the friction heat is low during high-speed operation;
- ▲ The rotational torque is not affected by working pressure and temperature;
- ▲ Wide speed working range, with a maximum speed of up to 6500RPM;
- ▲ Drainage hole design to prevent leakage to the external environment;
- ▲ Customizable products for customers;

Dimension



Types of	DN	Model	K	P	A	B	C	Q	D	E	F	G	V	J	L
KKT02	8	KKT02008.03	G3/4"-RH	2-G1/4"	148	85	6	85	M8	20	52	86	25	36.5	2-G1/8"
	10	KKT02010.03	G1"-RH	2-G3/8"	192	98	8	95	M8	25	59	107.5	35	42	2-G1/4"
	15	KKT02015.03	G1-1/4"-RH	2-G1/2"	229	98	12	107	M8	25	71	127	45	48	2-G1/4"



Model selection table																			
Types of	DN	Model	K	P	A	B	C	M	Q	D	E	F	G	V	H	J	L	N-X	W
KK01	8	KK01008	45	G1/4"	118	85	5	/	70	M8	5	24	76	/	58	8	2-G1/8"	4-6.6	45
	10	KK01010	45	G3/8"	121	85	8	/	70	M8	5	24	77.5	/	58	8	2-G1/8"	4-6.6	45
	15	KK01015	45	G1/2"	128	85	12	/	72	M8	5	24	82	/	58	10	2-G1/8"	4-6.6	45
KK02	8	KK02008	30	2-G1/4"	133	85	5	14	70	M8	5	24	71	25	58	8	2-G1/8"	4-6.6	45
	10	KK02010	40	2-G3/8"	182	98	8	20	85	M8	5	32	97.5	35	75	12	2-G1/4"	4-9	60
	15	KK02015	55	2-G1/2"	227	115	12	25	100	M12	5	36	120	40	95	15	2-G3/8"	6-9	75
	20	KK02020	65	2-G3/4"	250	135	16	30	105	M12	5	37	126	50	115	15	2-G3/8"	6-14	90
	25	KK02025	80	2-G1"	274	165	20	42	105	M12	5	44.5	127	76	155	15	2-G1/2"	6-14	130
KK03	8	KK03008	30	3-G1/4"	158	85	5	14	70	M8	5	24	71	25	58	8	2-G1/8"	4-6.6	45
	10	KK03010	40	3-G3/8"	217	98	8	20	85	M8	5	32	97.5	35	75	12	2-G1/4"	4-9	60
	15	KK03015	55	3-G1/2"	267	115	12	25	100	M12	5	36	120	40	95	15	2-G3/8"	6-9	75
KK04	8	KK04008	30	4-G1/4"	183	85	5	14	70	M8	5	24	71	25	58	8	2-G1/8"	4-6.6	45
	10	KK04010	40	4-G3/8"	252	98	8	20	85	M8	5	32	97.5	35	75	12	2-G1/4"	4-9	60
	15	KK04015	65	4-G1/2"	307	125	12	32	100	M12	5	36	119	40	105	15	2-G3/8"	6-9	85
KK06	8	KK06008	125	6-G1/4"	232	90	4	26	75.5	3-M8	12	7	65	22	/	/	2-G1/4"	6-6.3	108