

# KRXB Series Rotary joints

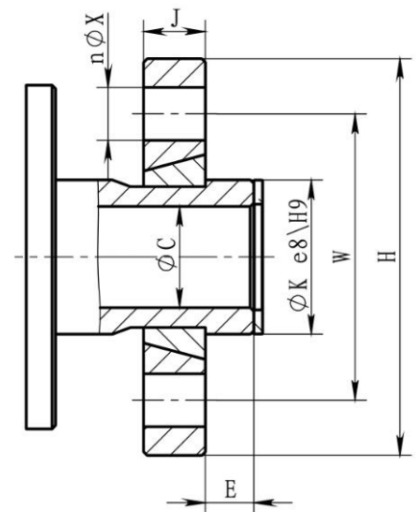
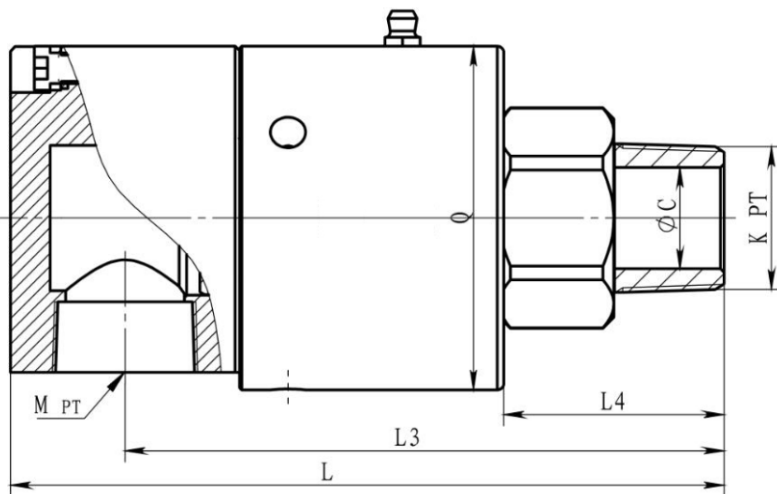


| Applicable medium | Temperature | Max pressure | Max Rotary Speed |
|-------------------|-------------|--------------|------------------|
| Water             | 90°C        | 1.1Mpa       | 2500RPM          |
| hot oil           | 180°C       | 1.1Mpa       | 2500RPM          |

## Product Features

- ▲ Balanced mechanical dynamic seal, long life cycle;
- ▲ The spring is not in contact with the medium, which improves reliability and increases the flow area;
- ▲ Stainless steel shell and rotor, corrosion-resistant;
- ▲ The shell adopts a split structure, and the seal can be replaced online, reducing downtime and maintenance costs;
- ▲ The O-ring moves with the sealing ring as a whole, the design is reliable, and the O-ring has no possibility of slack and slipping out;
- ▲ Silicon carbide dynamic seal, enhanced toughness and impact resistance;
- ▲ The matching sealing surface, the selected material meets the specific working conditions.

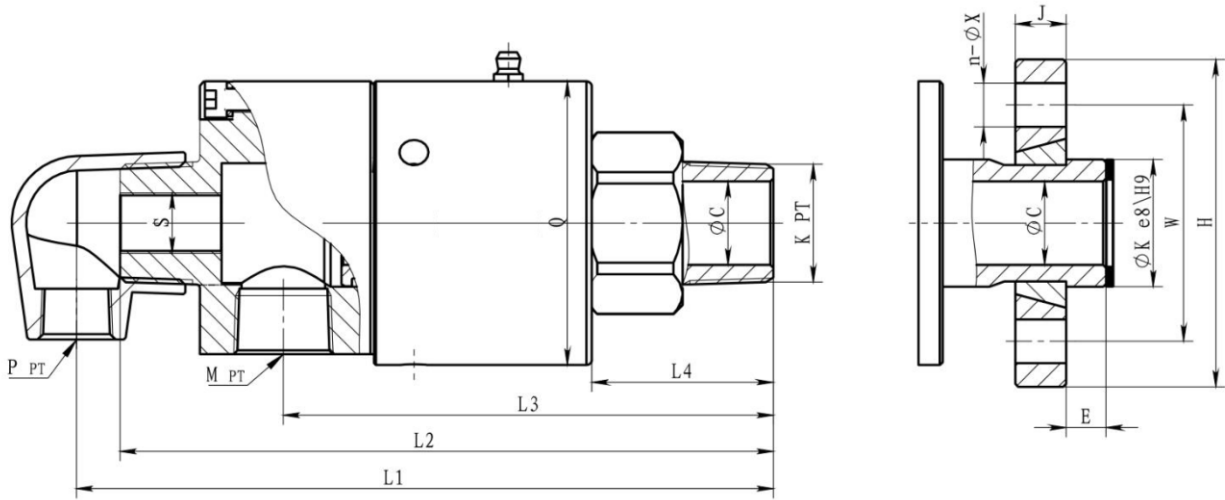
## KRXBM Single Channel Rotary Joint



| Size | K      | M       | P      | S      | L1    | L2  | L3  | L4  | L6 | Q  | Flange rotor |    |    |    |    |     |     |       |
|------|--------|---------|--------|--------|-------|-----|-----|-----|----|----|--------------|----|----|----|----|-----|-----|-------|
|      |        |         |        |        |       |     |     |     |    |    | ΦC           | E  | ΦK | W  | H  | J   | -ΦX |       |
| 015  | 1/2"   | R1/2"   | Rc1/2" | Rc1/2" | G1/8" | 155 | 140 | 108 | 35 | 20 | 59           | 13 | 8  | 23 | 55 | 80  | 14  | 4-Φ10 |
| 020  | 3/4"   | R3/4"   | Rc1/2" | Rc1/2" | G1/4" | 175 | 165 | 125 | 40 | 25 | 74           | 16 | 11 | 26 | 55 | 80  | 14  | 4-Φ12 |
| 025  | 1"     | R1"     | Rc3/4" | Rc1/2" | G3/8" | 195 | 180 | 132 | 44 | 30 | 78           | 23 | 11 | 35 | 65 | 90  | 14  | 4-Φ12 |
| 032  | 1-1/4" | R1-1/4" | Rc3/4" | Rc3/4" | G1/2" | 235 | 215 | 160 | 54 | 30 | 98           | 30 | 13 | 45 | 75 | 100 | 16  | 4-Φ14 |
| 040  | 1-1/2" | R1.1/2" | Rc1"   | Rc3/4" | G3/4" | 260 | 240 | 172 | 58 | 35 | 105          | 36 | 13 | 50 | 85 | 115 | 16  | 4-Φ14 |
| 050  | 2"     | R2"     | Rc1"   | Rc1"   | G1"   | 290 | 265 | 195 | 65 | 35 | 115          | 45 | 16 | 60 | 95 | 125 | 16  | 4-Φ14 |

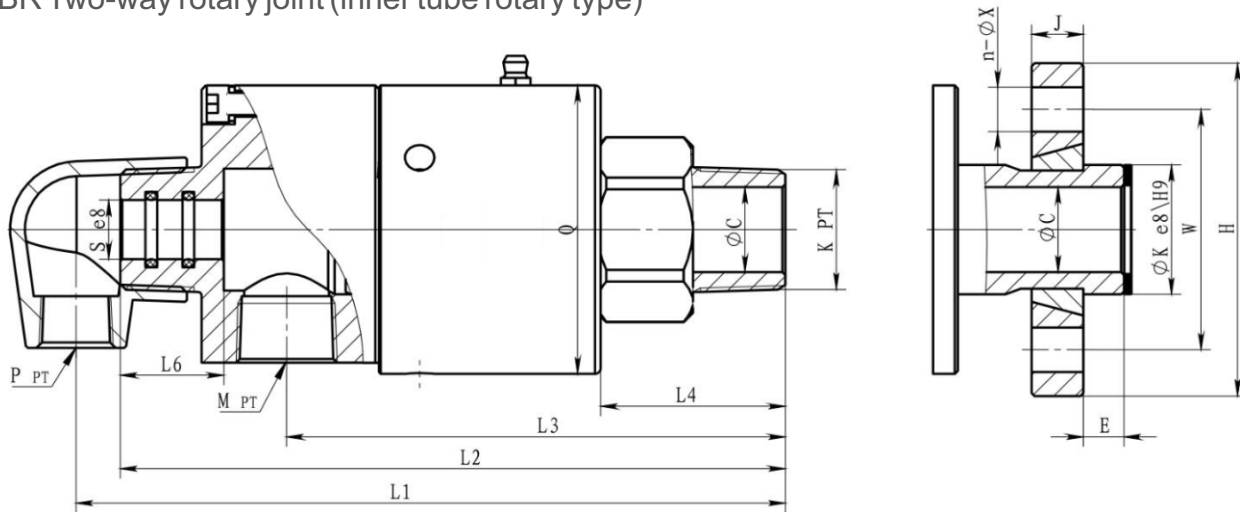
Note: With the difference of medium, caliber, pressure, rotating speed and temperature, the use limitation will also be different. Under special conditions, please contact Moflon Technology Co., Ltd. to determine the safety limitation.

KRXBD Two-way rotary joint (inner tube fixed type)



| Size | K      | M       | P      | S      | L1    | L2  | L3  | L4  | L6 | Q  | Flange rotor |    |    |    |    |     |     |       |
|------|--------|---------|--------|--------|-------|-----|-----|-----|----|----|--------------|----|----|----|----|-----|-----|-------|
|      |        |         |        |        |       |     |     |     |    |    | φC           | E  | φK | W  | H  | J   | -φX |       |
| 015  | 1/2"   | R1/2"   | Rc1/2" | Rc1/2" | G1/8" | 155 | 140 | 108 | 35 | 20 | 59           | 13 | 8  | 23 | 55 | 80  | 14  | 4-φ10 |
| 020  | 3/4"   | R3/4"   | Rc1/2" | Rc1/2" | G1/4" | 175 | 165 | 125 | 40 | 25 | 74           | 16 | 11 | 26 | 55 | 80  | 14  | 4-φ12 |
| 025  | 1"     | R1"     | Rc3/4" | Rc1/2" | G3/8" | 195 | 180 | 132 | 44 | 30 | 78           | 23 | 11 | 35 | 65 | 90  | 14  | 4-φ12 |
| 032  | 1-1/4" | R1-1/4" | Rc3/4" | Rc3/4" | G1/2" | 235 | 215 | 160 | 54 | 30 | 98           | 30 | 13 | 45 | 75 | 100 | 16  | 4-φ14 |
| 040  | 1-1/2" | R1.1/2" | Rc1"   | Rc3/4" | G3/4" | 260 | 240 | 172 | 58 | 35 | 105          | 36 | 13 | 50 | 85 | 115 | 16  | 4-φ14 |
| 050  | 2"     | R2"     | Rc1"   | Rc1"   | G1"   | 290 | 265 | 195 | 65 | 35 | 115          | 45 | 16 | 60 | 95 | 125 | 16  | 4-φ14 |

KRXBR Two-way rotary joint (inner tube rotary type)



| Size | K      | M       | P      | S      | L1  | L2  | L3  | L4  | L6 | Q  | Flange rotor |    |    |    |    |     |     |       |
|------|--------|---------|--------|--------|-----|-----|-----|-----|----|----|--------------|----|----|----|----|-----|-----|-------|
|      |        |         |        |        |     |     |     |     |    |    | φC           | E  | φK | W  | H  | J   | -φX |       |
| 015  | 1/2"   | R1/2"   | Rc1/2" | Rc1/2" | φ10 | 155 | 140 | 108 | 35 | 20 | 59           | 13 | 8  | 23 | 55 | 80  | 14  | 4-φ10 |
| 020  | 3/4"   | R3/4"   | Rc1/2" | Rc1/2" | φ12 | 175 | 165 | 125 | 40 | 25 | 74           | 16 | 11 | 26 | 55 | 80  | 14  | 4-φ12 |
| 025  | 1"     | R1"     | Rc3/4" | Rc1/2" | φ16 | 195 | 180 | 132 | 44 | 30 | 78           | 23 | 11 | 35 | 65 | 90  | 14  | 4-φ12 |
| 032  | 1-1/4" | R1-1/4" | Rc3/4" | Rc3/4" | φ20 | 235 | 215 | 160 | 54 | 30 | 98           | 30 | 13 | 45 | 75 | 100 | 16  | 4-φ14 |
| 040  | 1-1/2" | R1.1/2" | Rc1"   | Rc3/4" | φ25 | 260 | 240 | 172 | 58 | 35 | 105          | 36 | 13 | 50 | 85 | 115 | 16  | 4-φ14 |
| 050  | 2"     | R2"     | Rc1"   | Rc1"   | φ32 | 290 | 265 | 195 | 65 | 35 | 115          | 45 | 16 | 60 | 95 | 125 | 16  | 4-φ14 |