

# KRXB Series Rotary joints

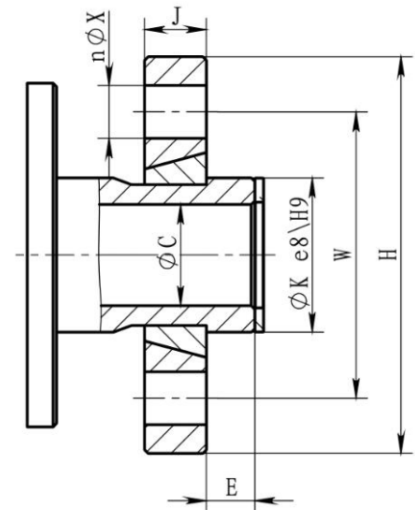
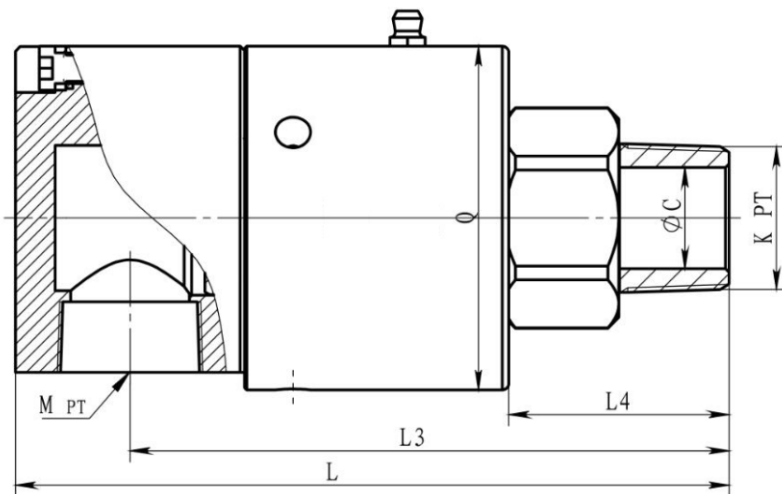


Applicable medium	Temperature	Max pressure	Max Rotary Speed
Water	90°C	1.1Mpa	2500RPM
hot oil	180°C	1.1Mpa	2500RPM

## Product Features

- ▲ Balanced mechanical dynamic seal, long life cycle;
- ▲ The spring is not in contact with the medium, which improves reliability and increases the flow area;
- ▲ Stainless steel shell and rotor, corrosion-resistant;
- ▲ The shell adopts a split structure, and the seal can be replaced online, reducing downtime and maintenance costs;
- ▲ The O-ring moves with the sealing ring as a whole, the design is reliable, and the O-ring has no possibility of slack and slipping out;
- ▲ Silicon carbide dynamic seal, enhanced toughness and impact resistance;
- ▲ The matching sealing surface, the selected material meets the specific working conditions.

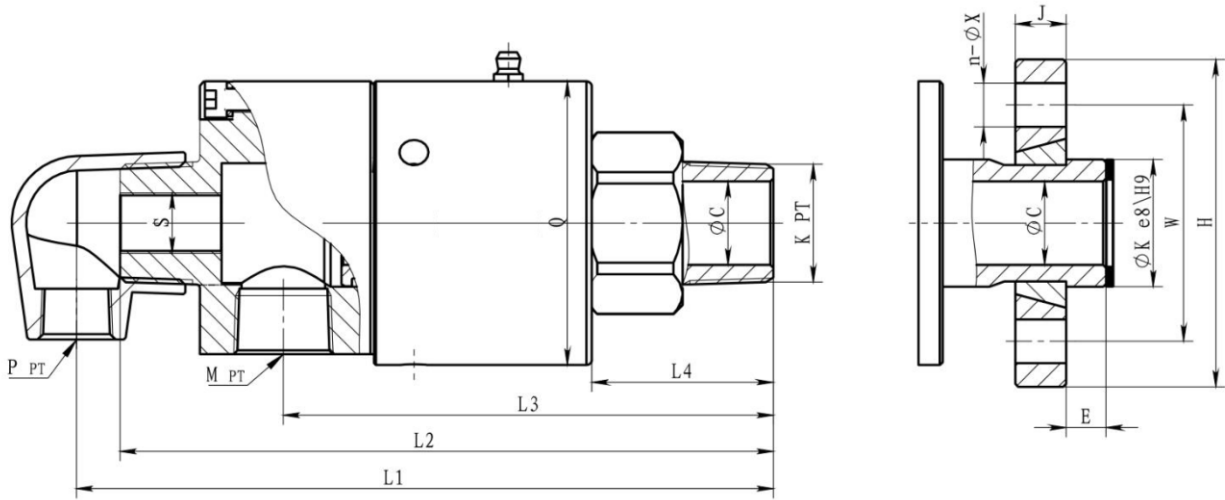
## KRXBM Single Channel Rotary Joint



Size	K	M	P	S	L1	L2	L3	L4	L6	Q	Flange rotor							
											ΦC	E	ΦK	W	H	J	-ΦX	
015	1/2"	R1/2"	Rc1/2"	Rc1/2"	G1/8"	155	140	108	35	20	59	13	8	23	55	80	14	4-Φ10
020	3/4"	R3/4"	Rc1/2"	Rc1/2"	G1/4"	175	165	125	40	25	74	16	11	26	55	80	14	4-Φ12
025	1"	R1"	Rc3/4"	Rc1/2"	G3/8"	195	180	132	44	30	78	23	11	35	65	90	14	4-Φ12
032	1-1/4"	R1-1/4"	Rc3/4"	Rc3/4"	G1/2"	235	215	160	54	30	98	30	13	45	75	100	16	4-Φ14
040	1-1/2"	R1.1/2"	Rc1"	Rc3/4"	G3/4"	260	240	172	58	35	105	36	13	50	85	115	16	4-Φ14
050	2"	R2"	Rc1"	Rc1"	G1"	290	265	195	65	35	115	45	16	60	95	125	16	4-Φ14

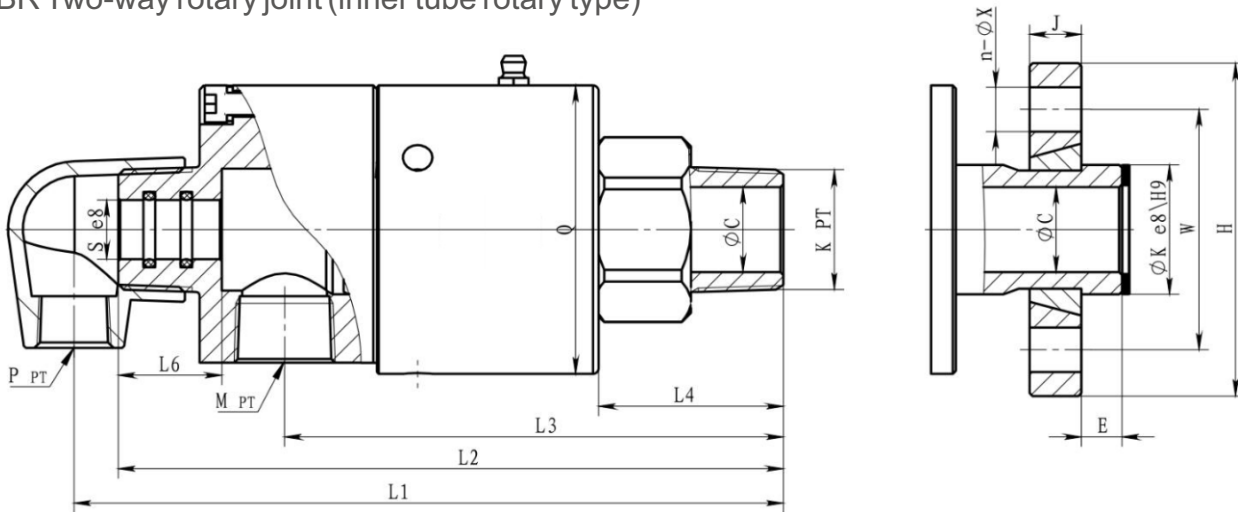
Note: With the difference of medium, caliber, pressure, rotating speed and temperature, the use limitation will also be different. Under special conditions, please contact Moflon Technology Co., Ltd. to determine the safety limitation.

KRXBD Two-way rotary joint (inner tube fixed type)



Size	K	M	P	S	L1	L2	L3	L4	L6	Q	Flange rotor							
											φC	E	φK	W	H	J	-φX	
015	1/2"	R1/2"	Rc1/2"	Rc1/2"	G1/8"	155	140	108	35	20	59	13	8	23	55	80	14	4-φ10
020	3/4"	R3/4"	Rc1/2"	Rc1/2"	G1/4"	175	165	125	40	25	74	16	11	26	55	80	14	4-φ12
025	1"	R1"	Rc3/4"	Rc1/2"	G3/8"	195	180	132	44	30	78	23	11	35	65	90	14	4-φ12
032	1-1/4"	R1-1/4"	Rc3/4"	Rc3/4"	G1/2"	235	215	160	54	30	98	30	13	45	75	100	16	4-φ14
040	1-1/2"	R1.1/2"	Rc1"	Rc3/4"	G3/4"	260	240	172	58	35	105	36	13	50	85	115	16	4-φ14
050	2"	R2"	Rc1"	Rc1"	G1"	290	265	195	65	35	115	45	16	60	95	125	16	4-φ14

KRXBR Two-way rotary joint (inner tube rotary type)



Size	K	M	P	S	L1	L2	L3	L4	L6	Q	Flange rotor							
											φC	E	φK	W	H	J	-φX	
015	1/2"	R1/2"	Rc1/2"	Rc1/2"	φ10	155	140	108	35	20	59	13	8	23	55	80	14	4-φ10
020	3/4"	R3/4"	Rc1/2"	Rc1/2"	φ12	175	165	125	40	25	74	16	11	26	55	80	14	4-φ12
025	1"	R1"	Rc3/4"	Rc1/2"	φ16	195	180	132	44	30	78	23	11	35	65	90	14	4-φ12
032	1-1/4"	R1-1/4"	Rc3/4"	Rc3/4"	φ20	235	215	160	54	30	98	30	13	45	75	100	16	4-φ14
040	1-1/2"	R1.1/2"	Rc1"	Rc3/4"	φ25	260	240	172	58	35	105	36	13	50	85	115	16	4-φ14
050	2"	R2"	Rc1"	Rc1"	φ32	290	265	195	65	35	115	45	16	60	95	125	16	4-φ14