

KRXE Series Rotary Joints



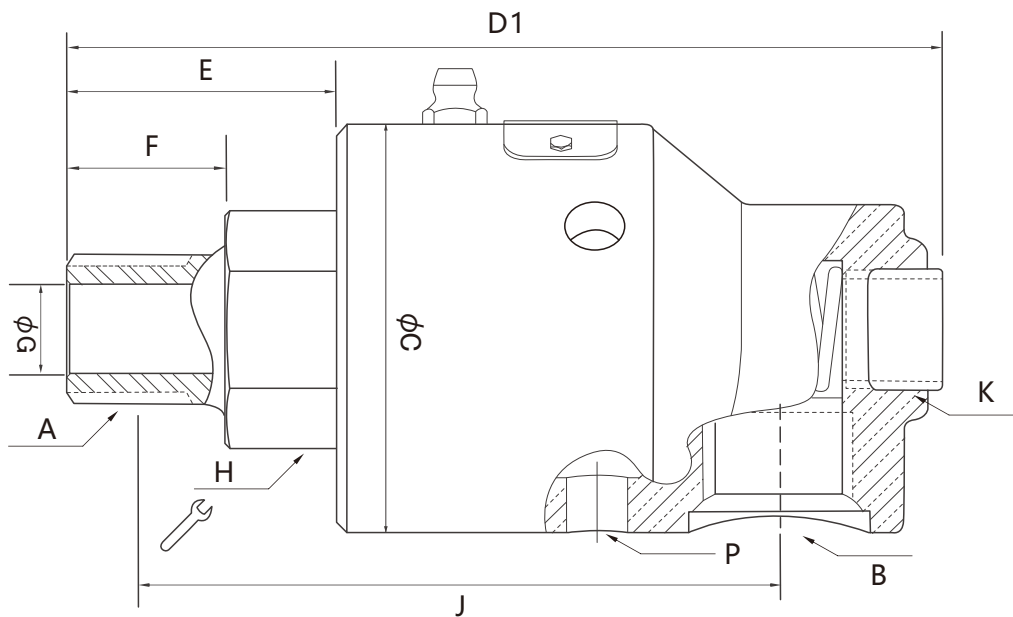
Applicable medium	Temperature	Max pressure	Max Rotary Speed
Cooling water	90°C	1.0Mpa	3500RPM
Hot water	120°C	1.0Mpa	1500RPM
Heat transfer oil	180°C	0.6Mpa	1000RPM

Note: With the change of medium/diameter/pressure/speed/temperature, its use limitation is also different. Use in special conditions, please contact with Moflon, the safety limitation has been determined

Product Features

- ▲ Supported by two precision imported deep groove ball bearings, rotation is stable;
- ▲ The brass shell and stainless steel outer tube are corrosion-resistant and can be used in complex working conditions for a long time;
- ▲ Combination of fine ceramic material and carbon sealing ring, with high speed and low torque performance;
- ▲ The balanced mechanical seal design structure reduces the impact of pressure change load on the sealing surface and prolongs the service life.

Single channel

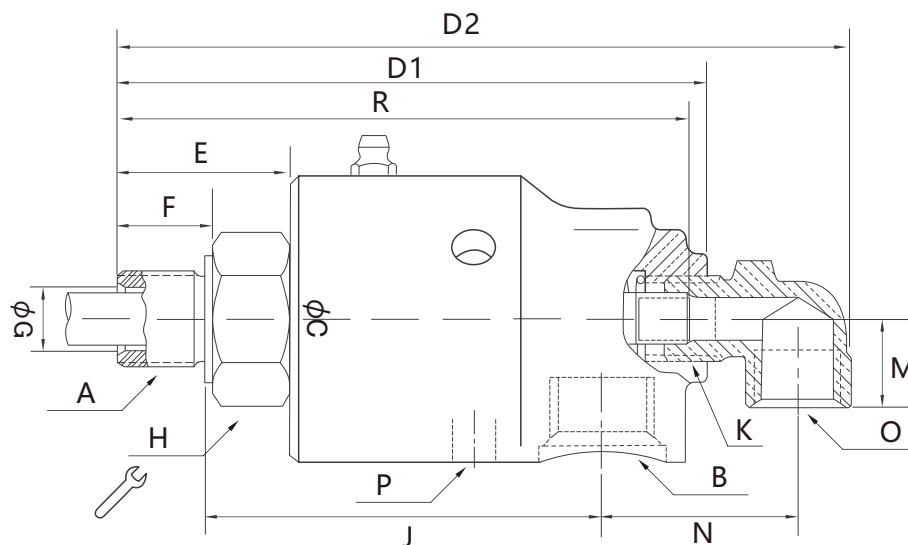


Single channel model selection table

DN	A	B	C	D1	E	F	G	H	J	K	P	KG
10	R3/8"	Rc3/8"	Φ45	100	26	16	Φ9.5	22	64	Rc1/4"	Φ8.6(3x120°)	0.6
15	R1/2"	Rc1/2"	Φ57	119	35	19	Φ12.7	30	79	Rc3/8"	Φ8.6(3x120°)	1.2
20	R3/4"	Rc3/4"	Φ73	136	34	19	Φ17.5	36	95	Rc1/2"	Φ8.6(3x120°)	2.1
25	R1"	Rc1"	Φ83	163	42	22	Φ25	36	108	Rc3/4"	Φ8.6(3x120°)	3.1
32	R1-1/4"	R1-1/4"	Φ91	189	54	28	Φ31.8	46	119	Rc1"	Φ8.6(3x120°)	4.1
40	R1-1/2"	Rc1-1/2"	Φ108	228	72	29	Φ38	55	149	Rc1-1/4"	Φ8.6(3x120°)	6.7
50	R2"	Rc2"	Φ118	248	65	29	Φ47.6	60	165	Rc1-1/4"	Φ8.6(3x120°)	7.6

Note: With the difference of medium, caliber, pressure, rotating speed and temperature, the use limitation will also be different. Under special conditions, please contact Moflon Technology Co., Ltd. to determine the safety limitation.

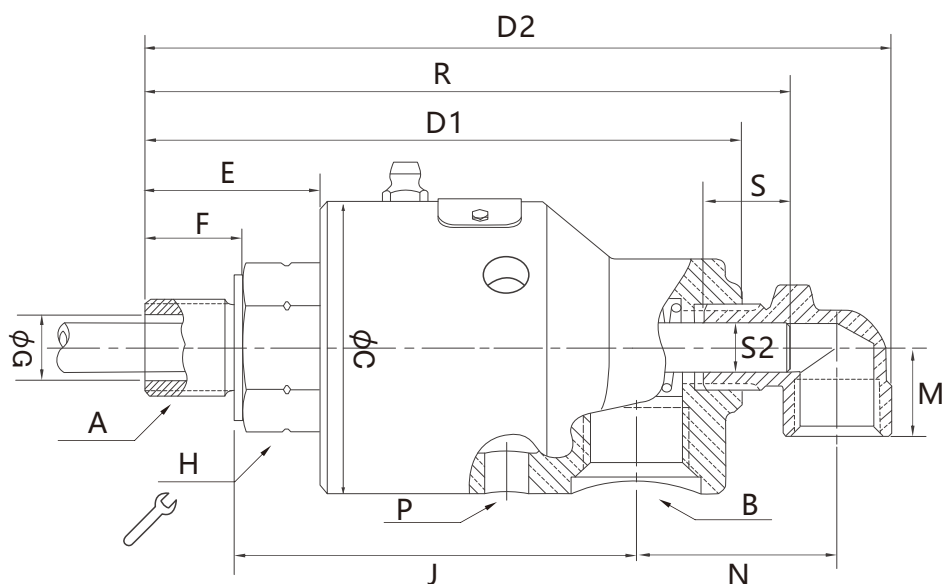
Two-channel (static inner tube)



Two-channel (static inner tube) Model selection table

DN	A	B	O	C	D1	D2	E	F	G	H	J	P	K	M	N	R
10	R3/8"	Rc3/8"	Rc1/4"	Φ45	100	124	26	16	Φ9.5	22	64	Φ8.6(3x120°)	Rc1/4"	18	36	99
15	R1/2"	Rc1/2"	Rc3/8"	Φ57	119	147	35	19	Φ12.7	30	79	Φ8.6(3x120°)	Rc3/8"	18	40	118
20	R3/4"	Rc3/4"	Rc1/2"	Φ73	136	171	34	19	Φ17.5	36	95	Φ8.6(3x120°)	Rc1/2"	26	46	137
25	R1"	Rc1"	Rc1/2"	Φ83	163	200	42	22	Φ25	36	108	Φ8.6(3x120°)	Rc3/4"	28	59	161
32	R1-1/4"	Rc1-1/4"	Rc3/4"	Φ91	189	234	54	28	Φ31.8	46	119	Φ8.6(3x120°)	Rc1"	35	72	186
40	R1-1/2"	Rc1-1/2"	Rc3/4"	Φ108	228	270	72	29	Φ38	55	149	Φ8.6(3x120°)	Rc1-1/4"	38	76	223
50	R2"	Rc2"	Rc1-1/4"	Φ118	248	312	65	29	Φ47.6	60	165	Φ8.6(3x120°)	Rc1-1/4"	45	96	252

Two-channel (rotary inner tube)



Two-channel (static inner tube) model selection table

DN	A	B	O	C	D1	D2	E	F	G	H	J	P	K	M	N	R	S2
10	R3/8"	Rc3/8"	Rc1/4"	Φ45	100	124	26	16	Φ9.5	22	64	Φ8.6(3x120°)	Rc1/4"	18	36	103	5.8
15	R1/2"	Rc1/2"	Rc3/8"	Φ57	119	147	35	19	Φ12.7	30	79	Φ8.6(3x120°)	Rc3/8"	18	40	124	9.8
20	R3/4"	Rc3/4"	Rc1/2"	Φ73	136	171	34	19	Φ17.5	36	95	Φ8.6(3x120°)	Rc1/2"	26	46	143	12.8
25	R1"	Rc1"	Rc1/2"	Φ83	163	200	42	22	Φ25	36	108	Φ8.6(3x120°)	Rc3/4"	28	59	171	15.8
32	R1-1/4"	Rc1-1/4"	Rc3/4"	Φ91	189	234	54	28	Φ31.8	46	119	Φ8.6(3x120°)	Rc1"	35	72	196	21.8
40	R1-1/2"	Rc1-1/2"	Rc3/4"	Φ108	228	270	72	29	Φ38	55	149	Φ8.6(3x120°)	Rc1-1/4"	38	76	238	25.8
50	R2"	Rc2"	Rc1-1/4"	Φ118	248	312	65	29	Φ47.6	60	165	Φ8.6(3x120°)	Rc1-1/4"	45	96	253	31.8